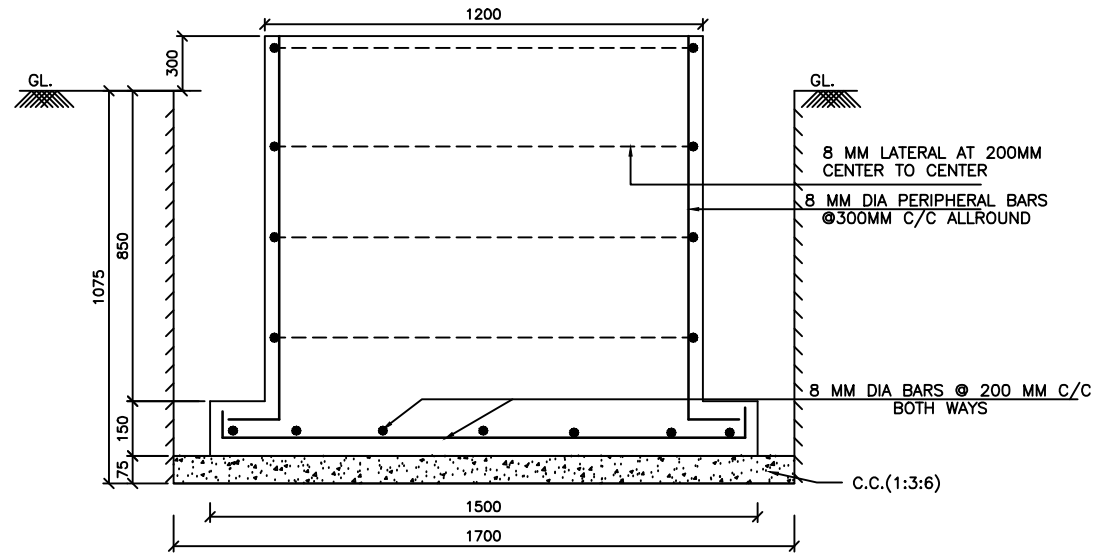


PLAN OF FOUNDATION



SECTION A-A

NOTES:-

1. ALL DIMENSIONS ARE IN MM ONLY.
2. DO NOT SCALE THE DRAWING.
3. THIS DRAWING APPLICABLE FOR NORMAL SOILS ONLY.
4. CLEAR COVER 40MM
5. RCC M-20 & Fe-415 R/F STEEL.

DETAILS OF 132kV CT,PT,WT & LA FOUNDATION FOR NORMAL SOILS

SCALE-N.T.S. DRG.NO:CE/CIVIL/CPL/FN/13