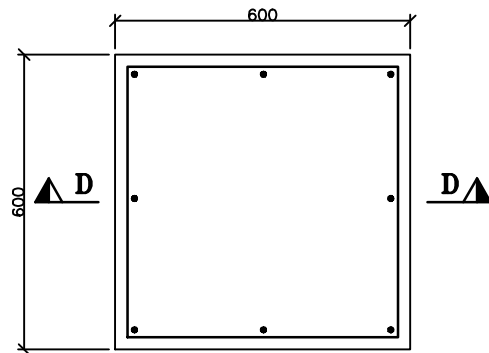


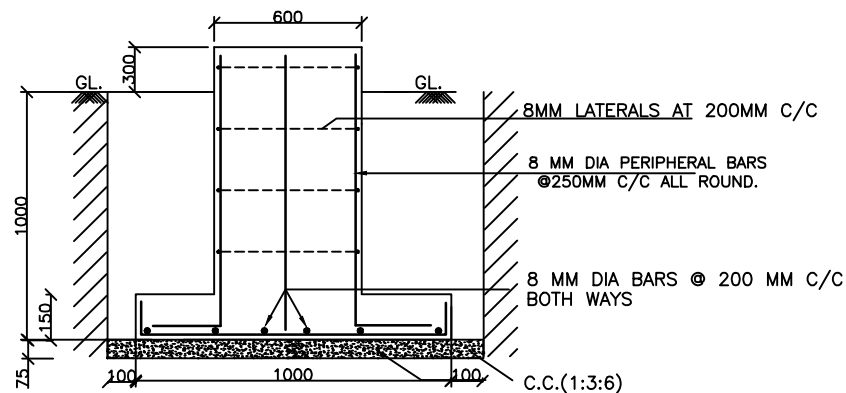
PLAN



DETAIL OF 'Y'

NOTES:-

1. ALL DIMENSIONS ARE IN MM ONLY.
2. DO NOT SCALE THE DRAWING.
3. THIS DRAWING APPLICABLE FOR NORMAL SOILS ONLY.
4. CLEAR COVER 40MM
5. RCC M-20 & Fe-415 R/F STEEL.



SECTION 'D-D'

DETAILS OF 132 KV ISOLATOR FOUNDATION FOR NORMAL SOILS

SCALE-N.T.S.

DRG.NO:CE/CIVIL/ABS/FN/13