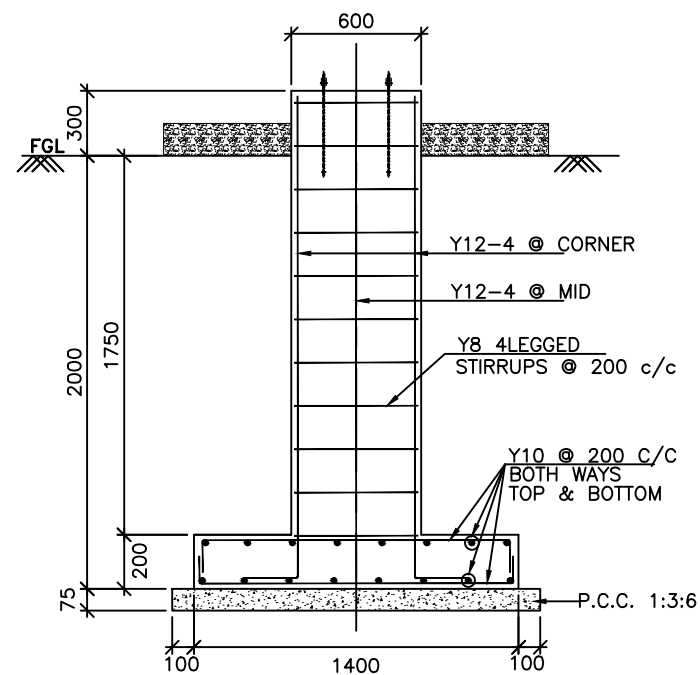
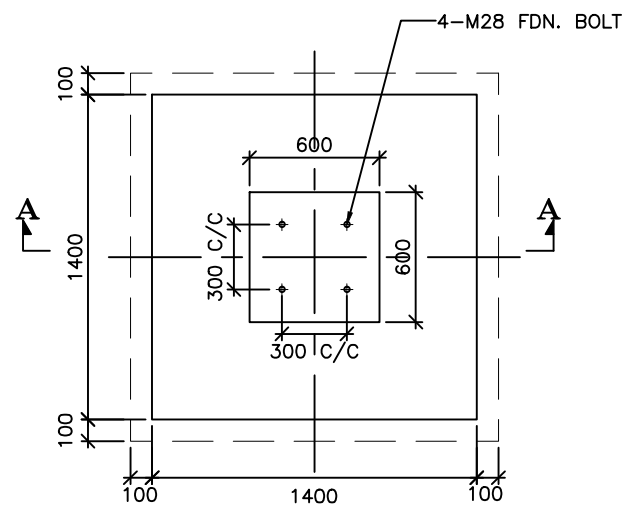


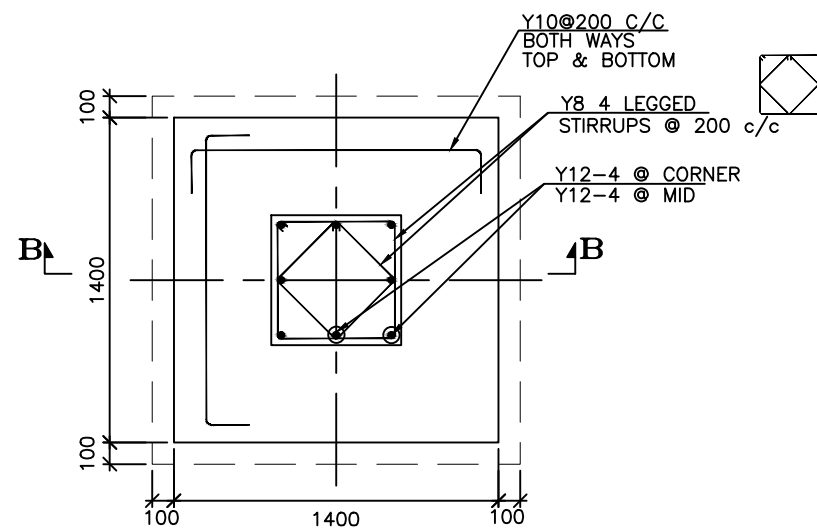
SECTION AA



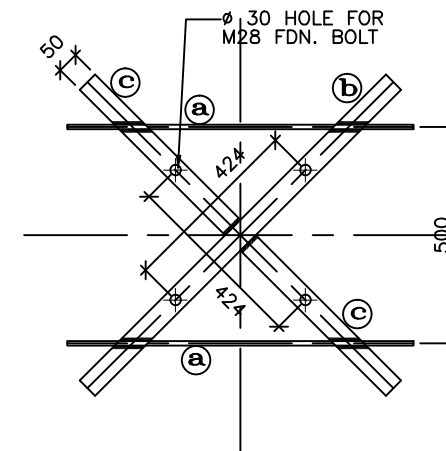
SECTION BB



**PLAN
GENERAL ARRANGEMENT
(FDN MARKED F2CVT)**



**PLAN
REINFORCEMENT DETAILS
(FDN MARKED F2CVT)**

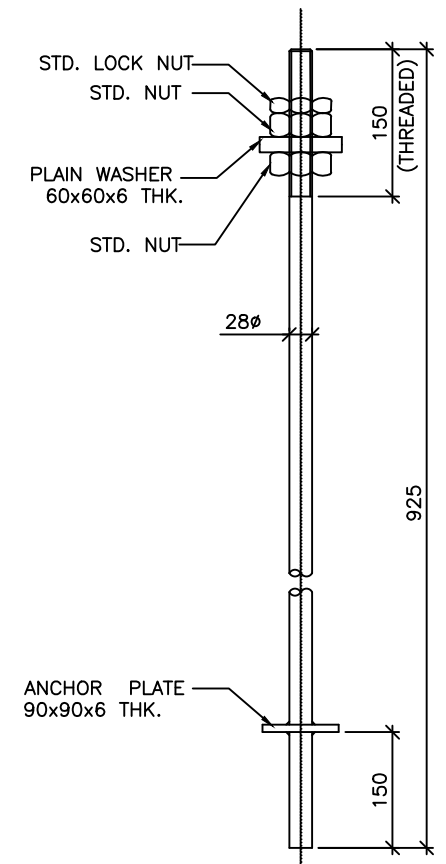


**PLAN
MS TEMPLATE FOR BOLT
FIXING ARRANGMENT**

MEMBER NO.	SIZE	Nos.	WEIGHT Kgs	REMARKS
(a)	800x50x10 THK.	2	6.40	MS FLAT
(b)	1000x50x10 THK.	1	4.00	MS FLAT
(c)	475x50x10 THK.	2	3.80	MS FLAT

NOTES:-

- ALL DIMENSIONS ARE IN MM.
- USE M20 GRADE CONCRETE WITH 20MM GRADED HBG METAL
- USE REINFORCEMENT AS TOR STEEL CONFORMING TO IS 1786. Fe 415/Fe 500 Gr.
- PROVIDED CLEAR COVER TO REINFORCEMENT
a) FOOTING - 50mm
b) COLUMNS - 40mm
- PROVIDED LAP DEVELOPMENT LENGTH (LD) EQUAL TO 50xd WHERE 'd' IS THE DIA OF REINFORCEMENT BAR.
- C/C OF FOUNDATION BOLTS SHALL BE GOT VERIFIED FROM THE APPROVED STRUCTURAL DRAWING BEFORE CONCRETING.
- FOUNDATION BOLTS SHALL BE KEPT IN POSITION BEFORE CONCRETING
- FOUNDATION POCKETS SHALL BE THOROUGHLY GROUTED AFTER FIXING OF BOLTS.
- TEMPLATE SHALL BE VERIFIED WITH RESPECT TO STRUCTURE DRAWING.



**4Nos. OF FDN. BOLTS FOR
2 CVT**

TRANSMISSION CORPORATION OF ANDRA PRADESH LTD.

**FOUNDATION DETAILS OF 220 KV CVT
(FOR NORMAL SOILS)**