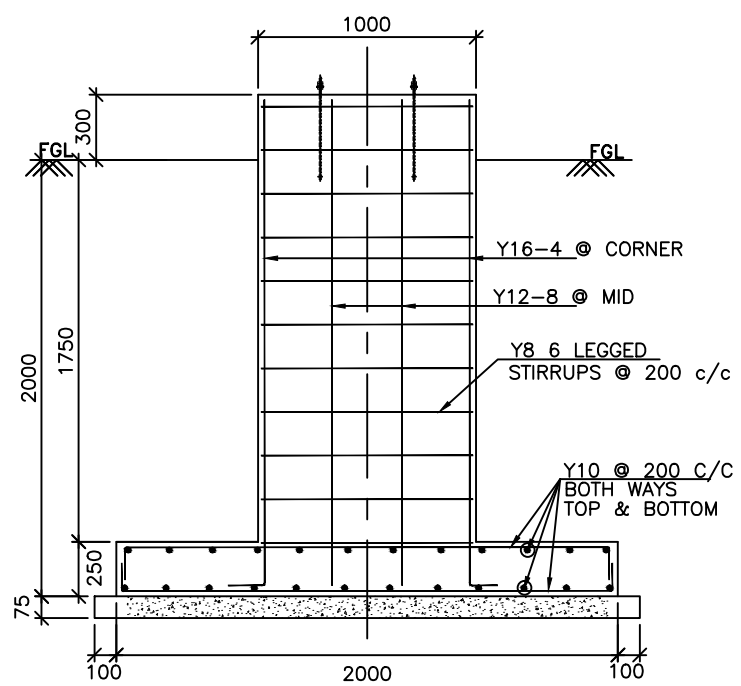
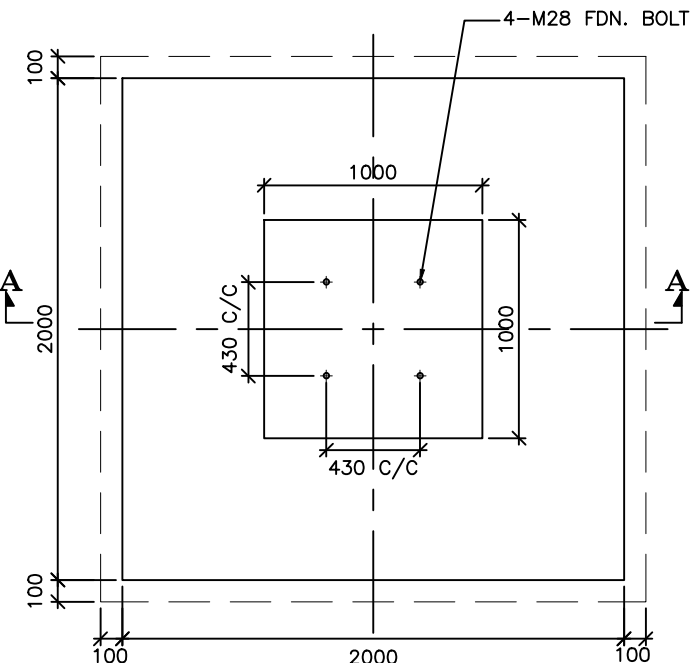


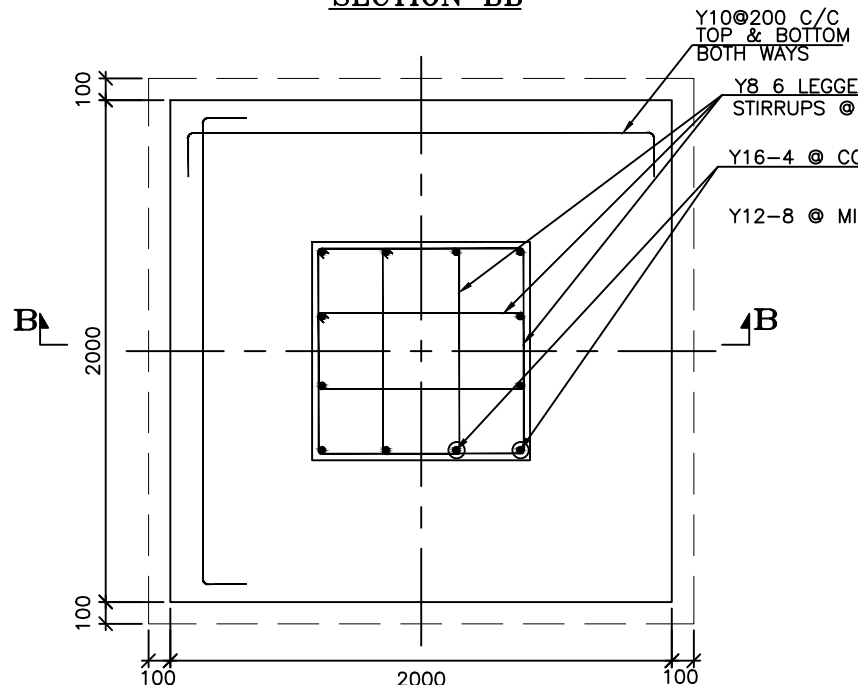
SECTION AA



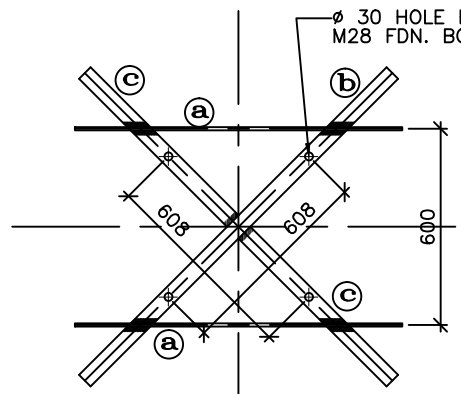
SECTION BB



PLAN GENERAL ARRANGEMENT (FDN MARKED F2HCT)

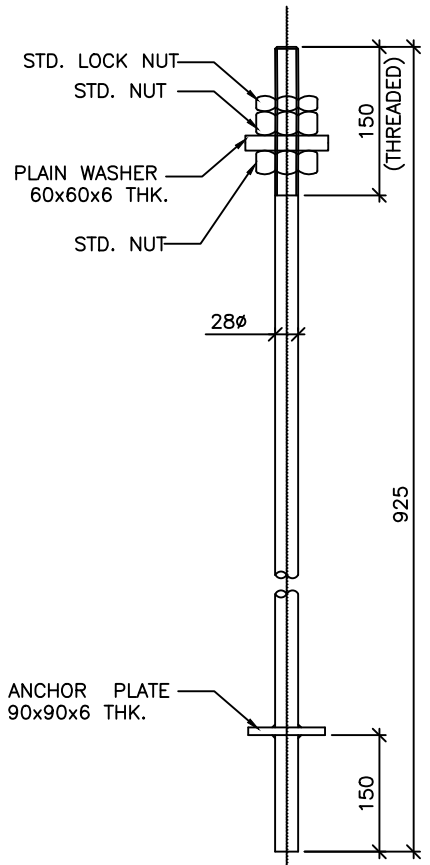


PLAN REINFORCEMENT DETAILS (FDN MARKED F2HCT)



PLAN MS TEMPLATE FOR BOLT FIXING ARRANGMENT

MEMBER NO.	SIZE	Nos.	WEIGHT Kgs	REMARKS
(a)	1000x50x10 THK.	2	8.00	MS FLAT
(b)	1330x50x10 THK.	1	5.32	MS FLAT
(c)	640x50x10 THK.	2	5.12	MS FLAT



4Nos. OF FDN. BOLTS FOR HIGH LVL CT

NOTES:-

1. ALL DIMENSIONS ARE IN MM.
2. USE M20 GRADE CONCRETE WITH 20MM GRADED HBG METAL
3. USE REINFORCEMENT AS TOR STEEL CONFORMING TO IS 1786. Fe 415/Fe 500 Gr.
4. PROVIDED CLEAR COVER TO REINFORCEMENT
a) FOOTING - 50mm
b) COLUMNS - 40mm
5. PROVIDED LAP DEVELOPMENT LENGTH (LD) EQUAL TO 50xd WHERE 'd' IS THE DIA OF REINFORCEMENT BAR.
6. C/C OF FOUNDATION BOLTS SHALL BE GOT VERIFIED FROM THE APPROVED STRUCTURAL DRAWING BEFORE CONCRETING.
7. FOUNDATION BOLTS SHALL BE KEPT IN POSITION BEFORE CONCRETING
8. FOUNDATION POCKETS SHALL BE THOROUGHLY GROUTED AFTER FIXING OF BOLTS.
9. TEMPLATE SHALL BE VERIFIED WITH RESPECT TO STRUCTURE DRAWING.

TRANSMISSION CORPORATION OF ANDRA PRADESH LTD.
FOUNDATION DETAILS OF 220 KV HIGH LVL CT (FOR NORMAL SOILS)
DRAWINGNO.CE/CIVI/2HCT-FDN/2013