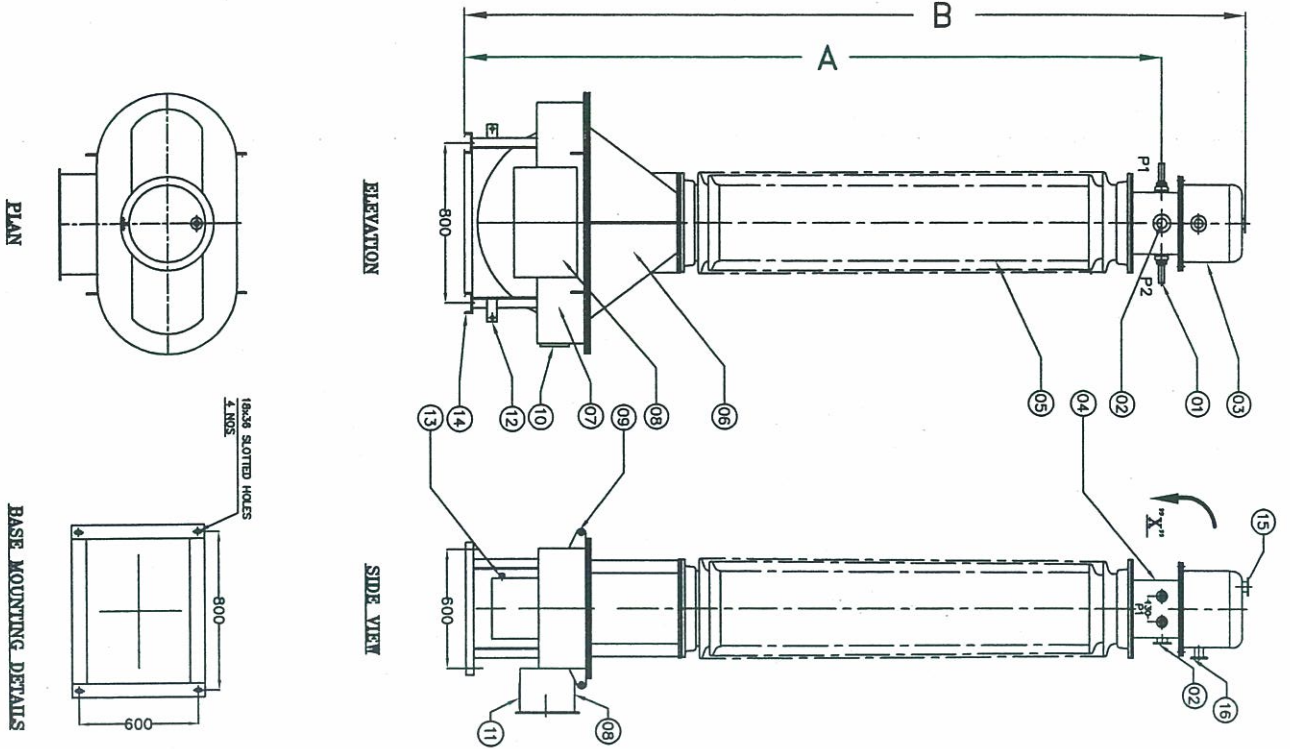


This drawing is the property of MDYUTH CONTROL on request. It is submitted as confidential in it is not to be used for any other purpose nor

SYSTEMS PVT.LTD., MEDCHAL Connection with our enquiry/ may it be copied or lent without

This must be returned Tender No.----- our written permission.

Signature _____ Date _____



CAUTION:
WHEN SHIPPED IN THE TILTED POSITION OR HORIZONTALLY TILT THE TRANSFORMER ONLY IN THE DIRECTION OF ARROW- "X"

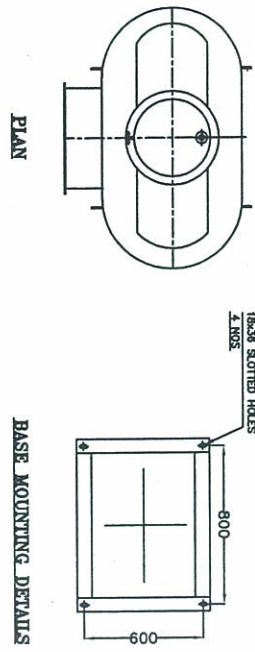
APPROVED
[Signature]
SUPERINTENDING ENGINEER
Project Monitoring
APTRANSCO, Vidyut Soudha
HYDERABAD

| SL.NO | PART NAME | QTY |
|-------|-----------------------------------|-------|
| 01 | PRIMARY TERMINAL. (30ø*80mm LONG) | 4 NOS |
| 02 | OIL LEVEL INDICATOR | 1 NO |
| 03 | TOP DOME | 1 NO |
| 04 | TOP TANK | 1 NO |
| 05 | PORCELAIN INSULATOR | 1 NO |
| 06 | COVER PLATE FOR BOTTOM TANK | 1 NO |
| 07 | BOTTOM TANK | 1 NO |
| 08 | TERMINAL BOX | 1 NO |
| 09 | LIFTING EYE | 4 NOS |
| 10 | NAME PLATE | 1 NO |
| 11 | CABLE GLAND PLATE | 1 NO |
| 12 | EARTHING PAD | 2 NOS |
| 13 | OIL DRAIN PLUG | 1 NO |
| 14 | BASE CHANNELS | 2 NOS |
| 15 | OIL FILLING PLUG | 1 NO |
| 16 | NITROGEN FILLING VALVE | 1 NO |

NOTE :-
1. DIMENSIONS ARE SUBJECT TO MANUFACTURING TOLERANCE AND MINOR MODIFICATIONS WITHOUT ANY NOTICE.
2. DIMENSIONAL TOLERANCE ±10%
3. CTS WILL BE HERMETICALLY SEALED TYPE.
4. ALL HARDWARES WILL BE MS HOT DIP GALVANIZED.
5. CTS WILL BE PAINTED WITH EPOXY PAINT COLOUR CONFORMING TO SHADE 697 OF IS:5.
6. CREEPAGE DISTANCE : 6125 mm (MIN)
7. OIL QUANTITY : 190 Lts (Approx)
8. TOTAL WEIGHT OF CT : 900 Kgs (Approx)
9. RATED CONTINUOUS THERMAL CURRENT : 120% OF RATED PRIMARY CURRENT
10. SIZE OF SECONDARY TERMINALS: STUDTYPE CLIP ON TERMINALS (M5)

| DIMENSIONS | MINIMUM | MAXIMUM |
|-------------------------------------|---------|---------|
| PORCELAIN HEIGHT | 2100 mm | 2375 mm |
| HEIGHT UP TO PRIMARY TERMINAL - "A" | 3360 mm | 3635 mm |
| TOTAL HEIGHT - "B" | 3820 mm | 4350 mm |

NOTE :-
1. FORGELAN HEIGHT & OTHER DIMENSIONS VARY FROM MANUFACTURER TO MANUFACTURER.
2. DIMENSIONS A & B DEPENDING ON PORCELAIN HEIGHT.
3. TOTAL WEIGHT & OIL QUANTITY DEPENDING ON PORCELAIN INSULATOR.
4. *INDICATED OIL QUANTITY AND TOTAL WEIGHTS ARE APPROXIMATE VALUES.



| | | |
|----------|--|-----------------|
| CUSTOMER | M/s. AP TRANSCO | SCALE : N.T.S |
| NAME | GA DRAWING OF 220KV SINGLE PHASE CURRENT TRANSFORMER | DRG.No. 120 815 |
| DATE | | REV. No. 00 |
| DRN. | | SHEET 1 OF 1 |
| CHD. | | |
| CHD. | | |
| CHD. | | |
| APPD. | | |

RATIO: 800-600-400/1-1-0.5,1-0.5,1-1A

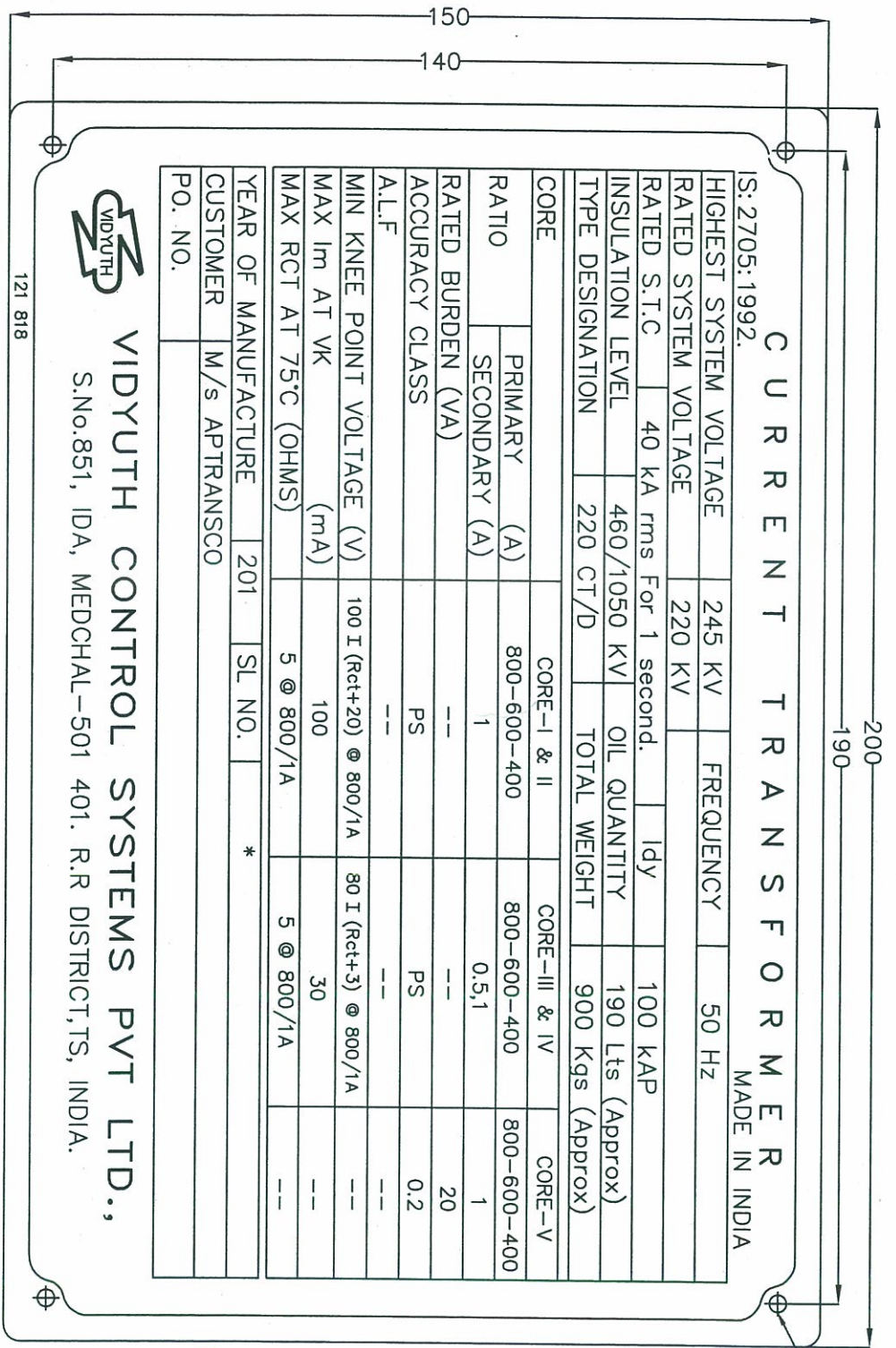
VIDYUTH CONTROL SYSTEMS (P) LTD.,
S.No.851, IDA, MEDCHAL - 501 401
R.R. DISTRICT, TS - INDIA

This drawing is the property of VIDYUTH CONTROL AND MINOR MODIFICATIONS WITHOUT ANY NOTICE. It is not to be used for any other purpose nor

SYSTEMS PVT.LTD., MEDCHAL Connection with our enquiry/ may it be copied or lent without

This must be returned Tender No.----- our written permission.

Signature _____ Date _____



CURRENT TRANSFORMER
MADE IN INDIA

| | | | | | |
|----------------------------|---------------|-------------------------|-----------------------|------------------|-------|
| IS: 2705:1992. | | HIGHEST SYSTEM VOLTAGE | 245 KV | FREQUENCY | 50 HZ |
| RATED SYSTEM VOLTAGE | | 220 KV | | | |
| RATED S.T.C | | 40 KA rms For 1 second. | Idy | 100 KAP | |
| INSULATION LEVEL | | 460/1050 KV | OIL QUANTITY | 190 Lts (Approx) | |
| TYPE DESIGNATION | | 220 CT/D | TOTAL WEIGHT | 900 Kgs (Approx) | |
| CORE | PRIMARY (A) | 800-600-400 | CORE-III & IV | CORE-V | |
| RATIO | SECONDARY (A) | 1 | 0.5,1 | 1 | |
| RATED BURDEN (VA) | | -- | -- | 20 | |
| ACCURACY CLASS | | PS | PS | 0.2 | |
| A.L.F | | -- | -- | -- | |
| MIN KNEE POINT VOLTAGE (V) | | 100 I (Rct+20) @ 800/1A | 80 I (Rct+3) @ 800/1A | -- | |
| MAX Im AT VK (mA) | | 100 | 30 | -- | |
| MAX RCT AT 75°C (OHMS) | | 5 @ 800/1A | 5 @ 800/1A | -- | |
| YEAR OF MANUFACTURE | 201 | SL NO. | * | | |
| CUSTOMER | M/s APTRANSCO | | | | |
| PO. NO. | | | | | |

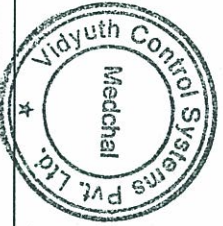


VIDYUTH CONTROL SYSTEMS PVT LTD.,
S.No.851, IDA, MEDCHAL-501 401. R.R DISTRICT, TS, INDIA.

121 818

NOTE :-
1. DIMENSIONS ARE SUBJECT TO MANUFACTURING TOLERANCE AND MINOR MODIFICATIONS WITHOUT ANY NOTICE.
2. DIMENSIONAL TOLERANCE ±5%
3. MATERIAL : ALUMINIUM SHEET.
4. *S/NO. TO BE PUNCHED BEFORE DISPATCH.

NAME PLATE



4 Nos.ø2.2 Drilled holes

APPROVED

SUPERINTENDING ENGINEER
Project Monitoring
APTRANSCO, Viduyut Soudha
HYDERABAD

| | | | | |
|---------------------------------------|-------|----------|---|---------------|
| RATIO: 800-600-400/1-1-0.5,1-0.5,1-1A | | CUSTOMER | M/s APTRANSCO | SCALE : N.T.S |
| DRN. | NAME | DATE | ALL DIMENSIONS ARE IN mm. UNLESS OTHERWISE SPECIFIED. | DRG.No. |
| CHD. | Sd/pt | 19/11/18 | | 121 818 |
| CHD. | | | | REV. No. 00 |
| CHD. | | | | SHEET 1 OF 1 |
| APPD. | | | | |

NAME PLATE FOR
220KV CURRENT TRANSFORMER

VIDYUTH CONTROL SYSTEMS (P) LTD.,
S.No.851, IDA, MEDCHAL - 501 401
R.R DISTRICT, TS - INDIA

