

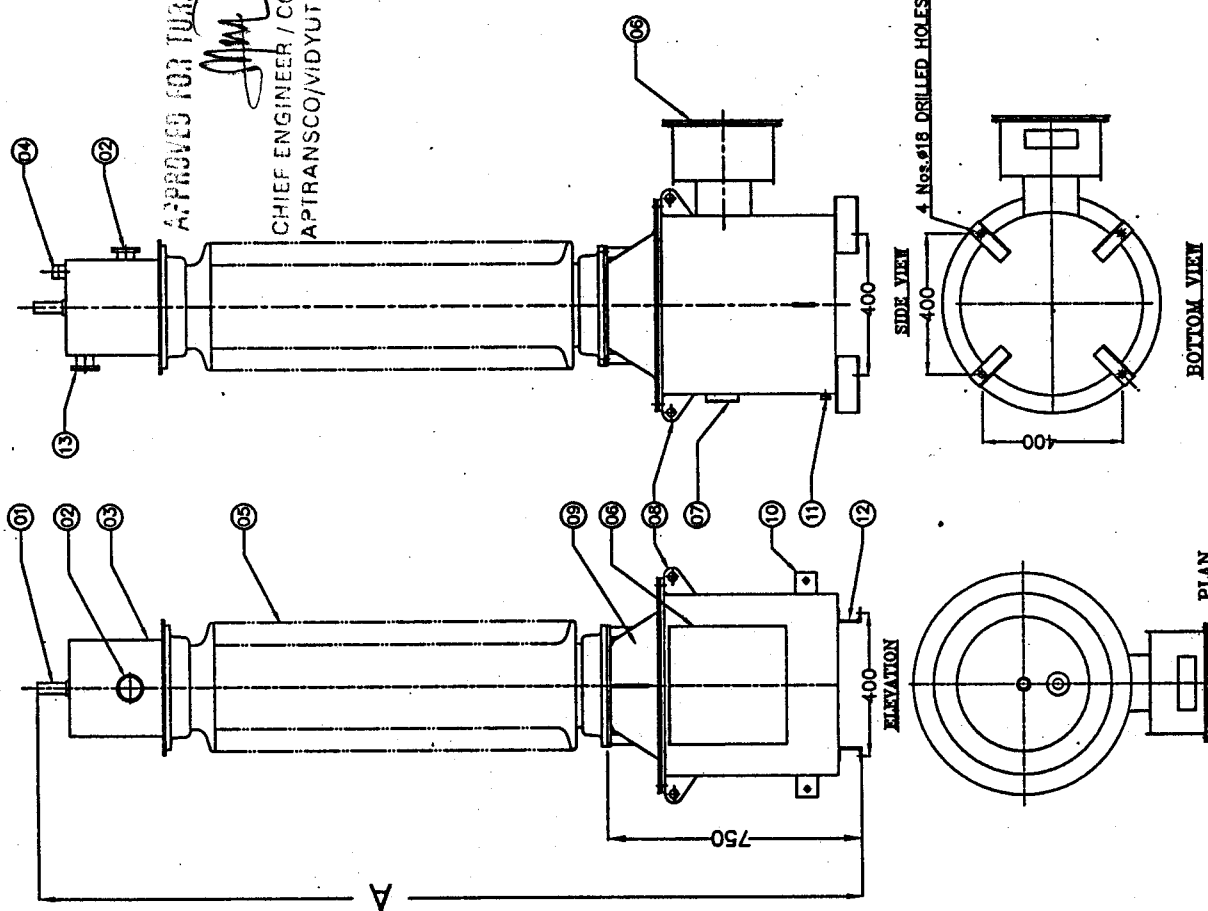
SL.NO.	PART NAME	QTY
01	PRIMARY TERMINAL (30φ×80mm LONG)	1 NO
02	OIL LEVEL INDICATOR	1 NO
03	TOP TANK	1 NO
04	OIL FILLING PLUG	1 NO
05	PORCELAIN INSULATOR (CREEPAGE DISTANCE: 3625 mm min)	1 NO
06	TERMINAL BOX	1 NO
07	NAME PLATE	1 NO
08	LIFTING EYE	4 NOS
09	LOWER TANK	1 NO
10	EARTHING PAD	2 NOS
11	OIL DRAIN PLUG	1 NO
12	BASE CHANNEL	4 NOS
13	NITROGEN FILLING VALVE	1 NO

APPROVED FOR TURNKEY PROJECTS
[Signature] 13/6/2012
 CHIEF ENGINEER / CONSTRUCTION I
 APTRANSCO/VIDYUTH SOUTH DIVYD.

NOTE :-
 1. DIMENSIONS ARE SUBJECT TO MANUFACTURING TOLERANCE AND MINOR MODIFICATIONS WITHOUT ANY NOTICE.
 2. DIMENSIONAL TOLERANCE ±5% .
 3. P.Ts WILL BE HERMETICALLY SEALED TYPE.
 4. ALL HARDWARES WILL BE HOT DIP GALVANIZED.
 5. PT WILL BE PAINTED WITH ZINC RICH EPOXY PAINT COLOUR CONFORMING TO SHADE 697 OF IS:5.
 6. OIL QUANTITY: 85 Ltrs (APPROX) *
 7. TOTAL WEIGHT OF PT: 450 KGS (APPROX). *
 8. TOTAL CREEPAGE DISTANCE : 3625 mm.
 9. SIZE OF THE SECONDARY TERMINALS: STUD TYPE CLIP ON TERMINALS (MS).

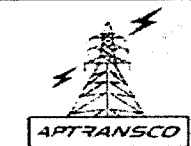
DIMENSIONS	MINIMUM	MAXIMUM
PORCELAIN HEIGHT	1280 mm	1550 mm
HEIGHT UP TO PRIMARY TERMINAL - "A"	2430 mm	2700 mm

NOTE :-
 1. PORCELAIN HEIGHT & OTHER DIMENSIONS VARY FROM MANUFACTURER TO MANUFACTURER.
 2. DIMENSIONS A DEPENDING ON PORCELAIN HEIGHT.
 3. TOTAL WEIGHT & OIL QUANTITY DEPENDING ON PORCELAIN INSULATOR.
 4. * INDICATED OIL QUANTITY AND TOTAL WEIGHTS ARE APPROXIMATE VALUES.



CUSTOMER		M/s. AP TRANSCO	
NAME	DATE	ALL DIMENSIONS ARE IN mm. UNLESS OTHERWISE SPECIFIED.	
DRN. <i>[Signature]</i>	13/6/12	SCALE : N.T.S.	
CHD. <i>[Signature]</i>		GA DRAWING OF 132KV SINGLE PHASE POTENTIAL TRANSFORMERS	
CHD. <i>[Signature]</i>		DRG.No.	220 363
CHD. <i>[Signature]</i>		REV. No.	00
APPD. <i>[Signature]</i>		SHEET 1 OF 1	

VIDYUTH CONTROL SYSTEMS (P) LTD.,
 S.No.851,DA MEDICAL - 501 401,
 R.R. DISTRICT, A.P.- INDIA



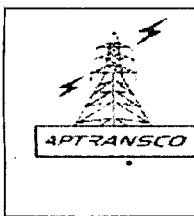
Standardised Drawing for 132 KV SINGLE PHASE
POTENTIAL TRANSFORMERS (METERING) (VIDYUTH CONTROL SYSTEMS (P) LTD make)
 STD/GTP-DWG/Approval No. 207-21 (SHEET 1) Revision No. 0

Prepared & Approved during JUNE 2012

Customer ref : APTRANSCO
 Title: Standard Drawings GA DRAWING

This drawing is the property of VIDYUTH CONTROL SYSTEMS PVT.LTD., MEDICAL Connection with our enquiry/ may it be copied or lent without our written permission. Signature _____ Date _____

DESCRIPTION



Standardised Guaranteed Technical Particulars for 132 KV
SINGLE PHASE POTENTIAL TRANSFORMERS(METERING)(VIDYUTH CONTROL SYSTEMS (P) LTD make)

STD/GTP-DWG/Approval No. 207-20_Revision No. 0

Prepared & Approved during JUNE 2012

GUARANTEED TECHNICAL PARTICULARS FOR 132KV POTENTIAL TRANSFORMERS

1	Type	Outdoor, Single Phase, Oil immersed and self cooled
2	Manufacturer's type/ Designation	Single Phase, Outdoor, Oil cooled.132 PT/D
3	Mounting of Tank (Bottom)	Pedestal type
4	Confirming to Standard	IS-3156: 1992
5	System Rated Voltage/Highest Voltage (kV)	132 KV/ $\sqrt{3}$ / 145 KV/ $\sqrt{3}$
6	Rated Primary Voltage (kV)	132 KV/ $\sqrt{3}$
7	Secondary Winding Details:	
a)	No. of Secondary Windings	One
b)	Rated Secondary Voltage(V)	110/ $\sqrt{3}$
c)	Rated Burden (VA)	10 VA
d)	Class of Accuracy	0.2
8	Temperature rise at 1.1 times rated voltage with rated burden (deg. C)	As per IS 3156
9	Rated Voltage Factor and time	1.2 times cont. and 1.5 for 30 seconds
10	Temperature rise for item-10 above (deg. C)	As per IS 3156
11	Impulse withstands test voltage (kV Peak)	650 KV (peak)
12	One minute power frequency withstand Test Voltage on primary (kV rms)	275 KV (rms)
13	One minute power frequency withstand test Voltage on Secondary (kV rms)	3KV (rms)
14	Porcelain bushing (make)	BHEL/IEC/CJ/WSI/Jayashree/OBLUM/PUCI China/RAVIKIRAN or any other reputed make
15	Total Creepage distance of the bushing (mm)	3625 mm
16	Protected creepage distance of bushing (mm)	Not applicable
17	Quantity of Insulating oil (liters)	85 Lts (Approx) *
18	Weight of Oil (Kg)	73 Kgs (Approx) *
19	Total weight including oil (Kgs)	450 Kgs (Approx) *
20	Mounting Details	As per enclosed drawing No. 220 963
21	Live parts to ground clearance	1100 mm (Approx)
22	Whether V.T. is sealed construction with nitrogen at top	Yes
23	Overall dimensions	
	Height mm	As per enclosed drawing No. 220 363
	Length mm	As per enclosed drawing No. 220 363
	Breadth mm	As per enclosed drawing No. 220 363
24	Grade of Oil	As per IS 335
25	Voltage transformer shall carry 25% above the rated burden continuously without injury in respect of voltage transformer.	Yes

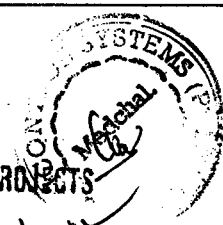
25. The type tests should have been conducted not earlier than 5 years in the standard third party laboratory. The manufacturer shall produce the type test reports at the time of acceptance tests.
 26. Quality of material & applicable standard. The manufacturer shall produce the valid IIS certification at the time of acceptance tests.

NOTES:

1. Porcelain height & other dimensions vary from manufacturer to manufacturer
2. Total weight & oil quantity depending on porcelain insulator.
3. * Indicated oil quantity & total weights are approximate values.

APPROVED FOR TURNKEY PROJECTS

CHIEF ENGINEER / CONSTRUCTION
 APTRANSCO/VIDYUTH SODHA/11/12



15/6/12