

GUARANTEED TECHNICAL PARTICULARS FOR 33KV PT			
Sl. No.	DESCRIPTION	UNIT	GUARANTEED VALUES
1	Type		Out Door, Single phase, Oil immersed, Vacuum impregnated, Self cooled, Electromagnetic Type
2	Manufacturer's Type/Designation		LVT-33
3	Conforming to standard		IS-3156 (1992)
4	Rated system voltage	KVrms	33
5	Highest system voltage	KVrms	36
6	Rated primary voltage	KVrms	33/√3
7	Secondary winding details		Winding-I
a)	Rated secondary voltage	Volts	110/√3
b)	Rated burden	VA	100
c)	Class of accuracy	%	0.2
8	Temp. rise at 1.1 times rated voltage with rated burden	°C	within limits of IS-3156
9	Rated voltage factor & Time		1.2 Cont. & 1.5 For 30 Sec.
10	Impulse withstand test voltage	KVp	170
11	One minute power frequency withstand test voltage on primary	KVrms	70
12	One minute power frequency withstand test voltage on secondary	KVrms	3
13	Porcelain bushing (Make)		IEC/BNGK
14	Total creepage distance of the bushing	mm	900
15	Quantity of insulating oil	Ltrs	24±10%
16	Weight of insulating oil	Kg	20±10%
17	Grade of oil		IS - 335
18	Total weight including oil	Kg	100±10%
19	Mounting details	mm	320×320
20	Whether V.T is sealed construction with Nitrogen at top		Yes
21	Over all dimensions	mm	Asper Approved Drawing
22	V.T shall carry 25% above the rated burden continuously without injury in respect of voltage transformers		Yes

For LAMCO INDUSTRIES PVT. LTD.

**APPROVED FOR TURNKEY PROJECTS**

IN-CHARGE (D&D-IT)


DATE: 08/11/11

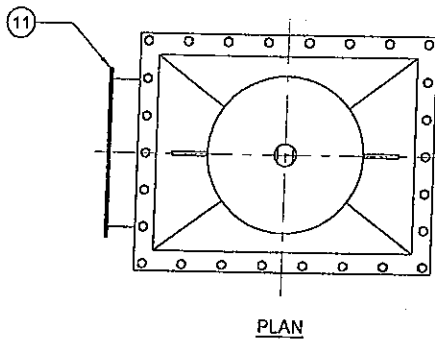
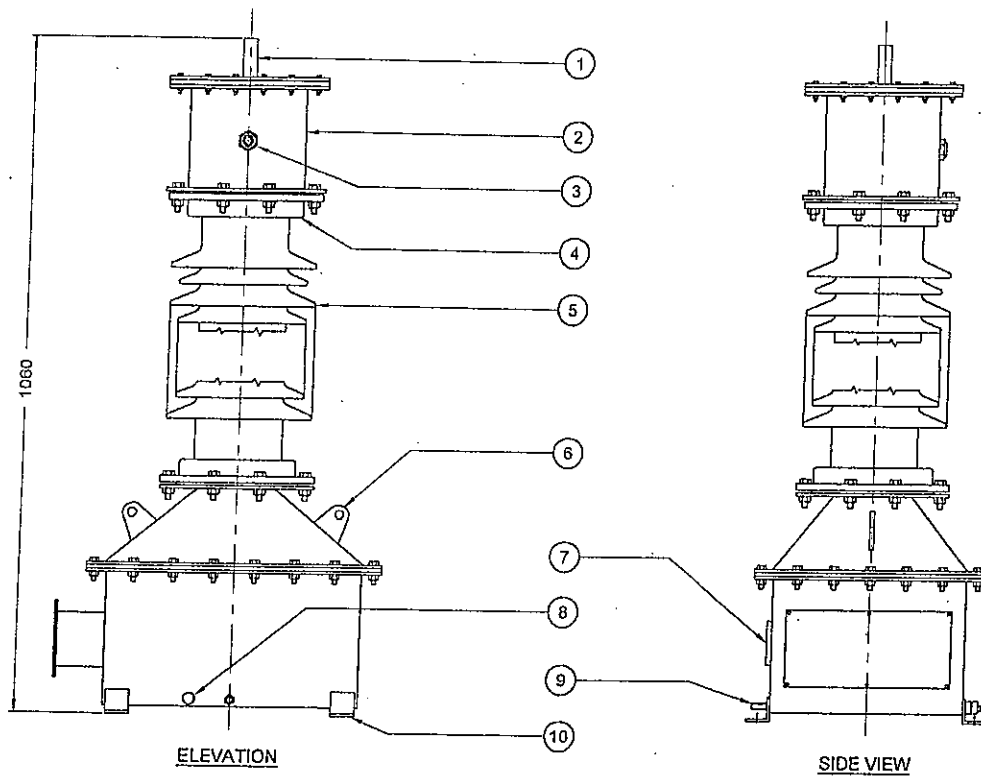
*[Signature]* 30/11/2011

HOD(B.D)

CHIEF ENGINEER / CONSTRUCTION-1 DATE: APTRANSCO/VIDYUTH SODHA/HYD.

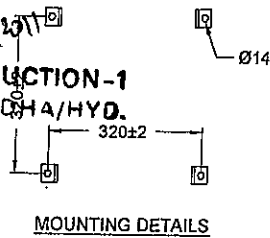
23) The type tests should have been conducted 90% earlier than 5 years in the standard third party laboratory. The manufacturer shall produce the type tests at the time of acceptance tests.  
 24) Quality of material held applicable Standard B.I.S. The manufacturer shall produce the hold B.I.S certification at the time of acceptance tests.

	Standardised Guaranteed Technical Particulars for 33KV PT (LAMCO Industries Pvt Ltd)
	STD/GTP-DWG/Approval No. 208-7 Revision No. 0
	Prepared & Approved during October - 2011
Customer ref : APTRANSCO	



**APPROVED FOR TURNKEY PROJECTS**

**CHIEF ENGINEER / CONSTRUCTION-1**  
**APTRANSCO/VIDYUTH SOUCHA/HYD.**



Standardised Drawing for 33KV PT ( LAMCO Industries Pvt Ltd).  
 STD/GTP-DWG/Approval No. 208-8-sheet1 Revision No. 0  
 Prepared & Approved during October - 2011

Customer ref : APTRANSCO  
 Title: Oil Immersed, Single Phase, Outdoor Type

CUSTOMER : M/S. TRANSMISSION CORPORATION OF ANDHRA PRADESH LTD.  
 RATIO : 33KV/√3 / 110V/√3

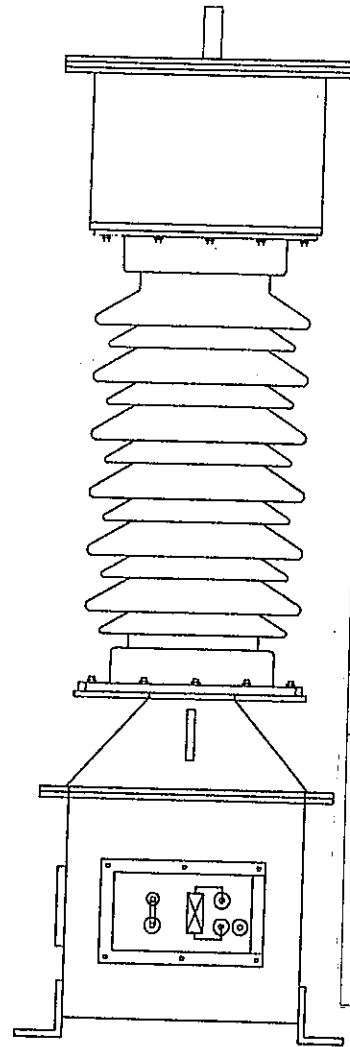
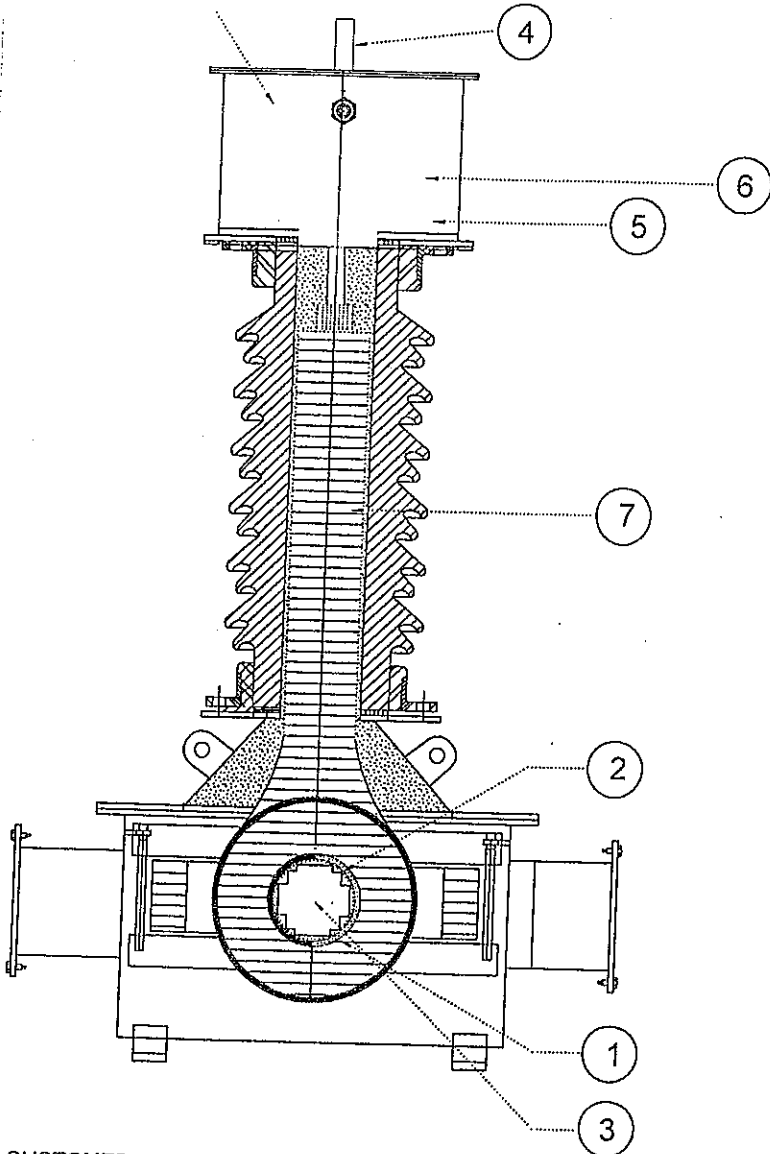
- NOTE:
- 1. TOTAL CREEPAGE DISTANCE : 900mm (Nom)
  - 2. TOTAL WEIGHT OF P.T : 100±10%Kgs
  - 3. WEIGHT OF OIL : 20±10%Kgs
  - 4. INSULATING OIL : IS:335
  - 5. REFERENCE STANDARD : IS:3156
  - 6. TANK FINISH : GALVANIZING
  - 7. MATERIAL : M.S. 3.125mm THICK

SL. No	DESCRIPTION	MATERIAL	QTY
11	SECONDARY TERMINAL BOX	MILD STEEL	1
10	MOUNTING ANGLE	MILD STEEL	4
9	EARTHING TERMINAL	MILD STEEL	2
8	OIL DRAIN PLUG	MILD STEEL	1
7	NAME PLATE	BRASS	1
6	LIFTING HOOK	MILD STEEL	2
5	MAIN BUSHING	PORCELAIN	1
4	BUSHING FLANGE	MC/MS	2
3	OIL LEVEL INDICATOR	ALUMINIUM	1
2	TOP TANK	MILD STEEL	1
1	PRIMARY TERMINAL (Ø30X80mm LONG)	ALUMINIUM	1

ITEM LIST

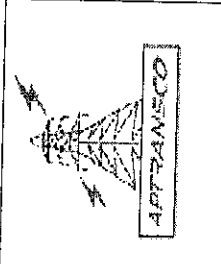
REV. No.	BREIF DESCRIPTION	SIGNATURE	DATE		
	<b>LAMCO</b> INDUSTRIES PRIVATE LIMITED, B - 38,39,40, SANATHNAGAR I.E, HYDERABAD-500018, A.P, INDIA.	TOLERANCE ±5%	PROJECTION 	DRAWN <i>Sudhakar</i>	08/11/11
		ALL DIMENSIONS ARE IN mm	SCALE : NTS	CHECKED <i>[Signature]</i>	08/11/11
			APPROVED <i>[Signature]</i>		08/11/11
TITLE : <b>33KV POTENTIAL TRANSFORMER</b> <b>(OIL IMMERSSED, SINGLE PHASE, OUT DOOR TYPE)</b>		DRAWING NUMBER <b>E 2033112</b> APTRANSCO	ISSUE - 1 REV - 0		

OIL EXPANSION CHAMBER



Standardised Drawing for 33KV PT ( LAMCO Industries Pvt Ltd).

STD/GTP-DWG/Approval No. 208-8-sheet2 Revision No. 0  
Prepared & Approved during October - 2011



Customer ref : APTRANSCO

Title: Sectional view of 33KV Potential Transformers

CUSTOMER : M/S. TRANSMISSION CORPORATION OF ANDHRA PRADESH LTD.

**APPROVED FOR TURNKEY PROJECTS**

*Handwritten signature and date: 20/11/2011*

**CHIEF ENGINEER / CONSTRUCTION-1  
APTRANSCO/VIDYUTH SOUDHA/HYD.**

7	INSULATION	KRAFT PAPER
6	H.V. LEAD	COPPER
5	TRANSFORMER OIL	NAPHETHELENE BASED
4	PRIMARY TERMINAL	ALUMINIUM
3	CORE (LAMINATION)	C.R.G.O
2	SECONDARY WINDING	COPPER
1	PRIMARY WINDING	COPPER
SL.No	DESCRIPTION	MATERIAL

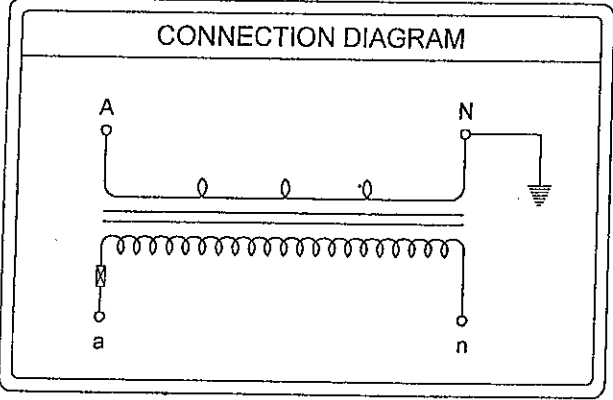
REV. No.	BREIF DESCRIPTION			SIGNATURE	DATE
<p><b>LAMCO</b> INDUSTRIES PRIVATE LIMITED, B - 38,39,40, SANATHNAGAR I.E, HYDERABAD-500018, A.P, INDIA.</p>	TOLERANCE	PROJECTION	DRAWN	<i>Sudhakar</i>	08/11/11
	ALL DIMENSIONS ARE IN mm	SCALE : NTS	CHECKED	<i>[Signature]</i>	08/11/11
			APPROVED	<i>[Signature]</i>	08/11/11
TITLE : SECTIONAL VIEW OF 33KV POTENTIAL TRANSFORMER				DRAWING NUMBER E 2033000 APTRANSCO	ISSUE - 1 REV - 0

POTENTIAL TRANSFORMER			
REF. STD	IS : 3156	RATIO	33KV/√3 / 110V/√3
FREQ.	50 Hz	CORE	1
PHASE	SINGLE	BURDEN	100VA
N.S.V	33 KV	CLASS	. 0.2
H.S.V	. 36 KV	I. LEVEL	70/170 KV
YEAR	2011	V.F	1.2 CONTINUOUS & 1.5 FOR 30 Sec.
SL. NO			
CUSTOMER	M/S. TRANSMISSION CORPORATION OF ANDHRA PRADESH LTD.		
P.O.NO.			

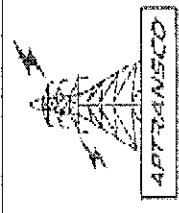


LAMCO INDUSTRIES PRIVATE LIMITED  
 B-38, 39 & 40 SANATHNAGAR I.E,  
 HYDERABAD - 500 018, A.P, INDIA

Standardised Drawing for 33KV PT ( LAMCO Industries Pvt Ltd).  
 STD/GTP-DWG/Approval No. 208-8-shee3 Revision No. 0  
 Prepared & Approved during October - 2011



**CAUTION**  
 DO NOT DISCONNECT LINK  
 WHILE TRANSFORMER  
 IS ENERGISED.




Customer ref : APTRANSCO  
 Title: Name And Connection Diagram

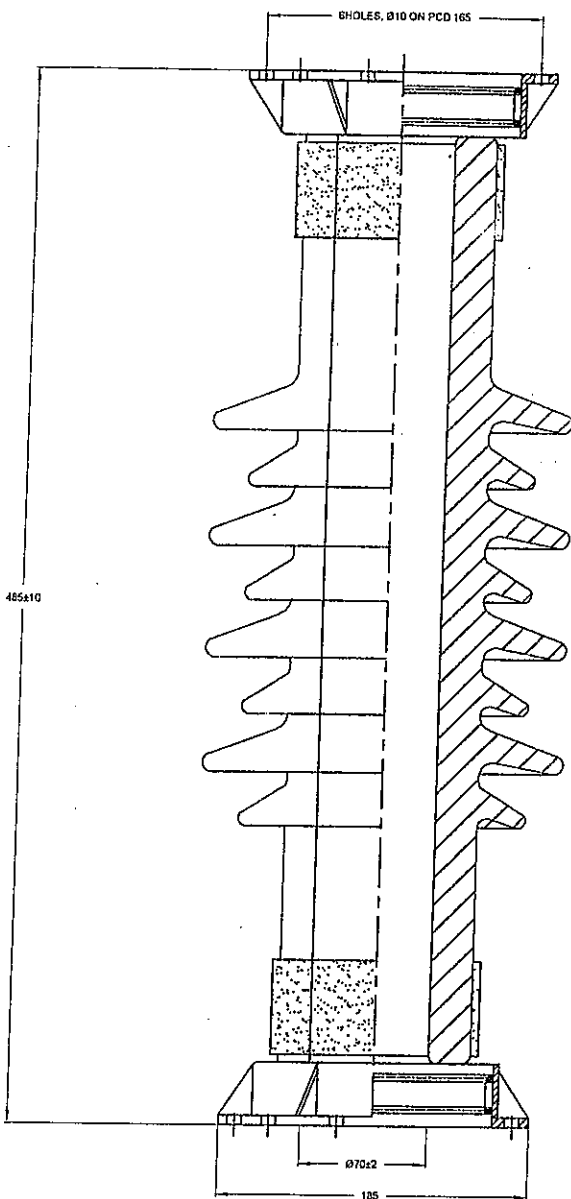
**APPROVED FOR TURNKEY PROJECTS**

*[Signature]*  
 20/11/2011

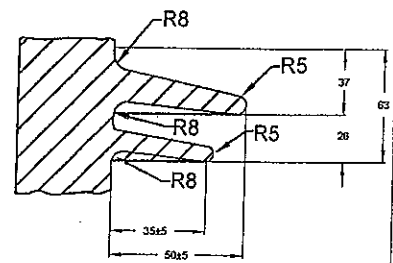
CHIEF ENGINEER / CONSTRUCTION-1  
 APTRANSCO/VIDYUTH SOUDHA/HYD.

MATERIAL : BRASS

REV. No.	BREIF DESCRIPTION			SIGNATURE	DATE
 <b>LAMCO</b> INDUSTRIES PRIVATE LIMITED, B - 38,39,40, SANATHNAGAR I.E, HYDERABAD-500018, A.P, INDIA.	TOLERANCE	PROJECTION	DRAWN	<i>[Signature]</i>	08/11/11
			CHECKED	<i>[Signature]</i>	08/11/11
	ALL DIMENSIONS ARE IN mm	SCALE : NTS	APPROVED	<i>[Signature]</i>	08/11/11
TITLE :				DRAWING NUMBER	ISSUE - 1
NAME AND CONNECTION DIAGRAM				E 8033112	REV - 0
				APTRANSCO	

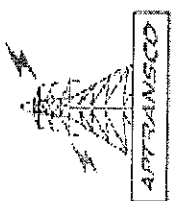


**APPROVED FOR TURNKEY PROJECTS**  
*MM*  
 20/11/11  
**CHIEF ENGINEER / CONSTRUCTION-1**  
**APTRANSCO/VIDYUTH SOUDHA/HYD.**



SHED DETAILS


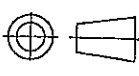
Standardised Drawing for 33KV PT (LAMCO Industries Pvt Ltd).  
 STD/GTP-DWG/Approval No. 208-8-sheet4 Revision No. 0  
 Prepared & Approved during October - 2011



Customer ref : APTRANSCO

CUSTOMER: M/S. TRANSMISSION CORPORATION OF ANDHRA PRADESH LIMITED

NOTE :  
 MECHANICAL LOAD - 2000N  
 ELECTRICAL PEAK - 175 KV  
 TOTAL CREEPAGE DISTANCE - 900 mm  
 GLAZE : DARK BROWN  
 BORE : STRAIGHT AND UNIFORM  
 APPLICABLE STANDARD : IS 5621 - 1080

REV.No.	BRIEF DESCRIPTION			SIGN	DATE
 <b>LAMCO</b> INDUSTRIES PRIVATE LIMITED B-38,39,40 SANATHNAGAR I.E, HYDERABAD 500018, A.P, INDIA.	TOLERANCE	PROJECTION	DRAWN	<i>Sudhakar</i>	08/11/11
	AS INDICATED		CHECKED	<i>E</i>	08/11/11
	ALL DIMENSIONS ARE IN mm	SCALE : NTS	APPRVD	<i>MM</i>	08/11/11
TITLE				DRAWING NUMBER	ISSUE-1
<b>33KV PT PORCELAIN HOUSING</b>				<b>E8033001</b>	REV-0
				APTRANSCO	