

NOTE: 1. DRAWING APPROVAL SUBJECT TO VALID TYPE TEST REPORTS, TO BE CHECKED DURING ACCEPTANCE TESTS  
2. FOR EPC CONTRACTS ONLY

# 145 kV CAPACITOR VOLTAGE TRANSFORMER TYPE: CPB-H 145

CLIENT:  
(AS APPLICABLE)

END CUSTOMER:  
APTRANSCO

PROJECT:  
(AS APPLICABLE)

W.O. NO.:  
(AS APPLICABLE)

P.O. NO.:  
(AS APPLICABLE)

QTY.:  
(AS APPLICABLE)

1. Minimum 300mm plinth shall be maintained for CT/PT/CVT/Isolators/IV/LA/Breakers in the Substation during foundation works to ensure safe live to ground clearance as per IE rules.  
2. Since the supply of terminal connectors is not in the scope of manufacturer as mentioned in the drawings. The EPC contractor shall be instructed to supply the same in line with CT/PT/CVT/Isolator/IVT/LA/Breakers requirement and compatibility.

Drawing approval subject to valid vendor registration

**CHIEF ENGINEER**  
**PLANNING & POWER SYSTEMS**  
**APTRANSCO**

SR. NO.	REFERENCE OF STD DRGS/ DOCUMENTS	REV.	DESCRIPTION
1.	1HYT903320-052	B	GENERAL ARRANGEMENT- 25mm/kV
2.	1HYT903320-053	B	RATING PLATE- 25mm/kV
3.	1HYT903320-054	B	SECONDARY TERMINAL BOX
4.	1HYT903320-055	B	SECTIONAL VIEW
5.	1HYT903320-068	B	INSULATOR DRAWING- 25mm/kV

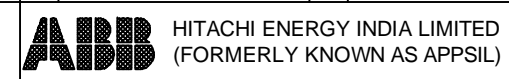
Prepared: SR	Checked: SNP	Approved: SN
Without Sep. PL.: <input type="checkbox"/>	SamePL.Same No.: <input type="checkbox"/>	Sep. PL.Other No.: <input type="checkbox"/>
Derived by:	Supersedes:	Supersedes by:
A   2022-06-09		
B   2022-06-28		
C   2022-07-07		

<b>LIST OF DOCUMENTS FOR CPB-H 145 TYPE CVT</b>	Scale NTS
	T.Sh. 1
	Sheets 1

We reserve all rights in this document and in the information contained there in Reproduction,use or disclosure to third parties without express authority is strictly forbidden ©ABB.

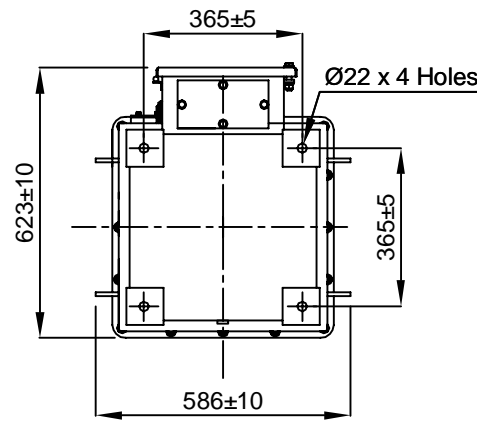
- Ⓐ New drg. prepared.
- Ⓑ Change in sr no. 1,2,3 & 5
- Ⓒ Change in sr no 4

This drawing is a COMPUTER ORIGINAL and does not require signature for its authentication



1HYT903320-051

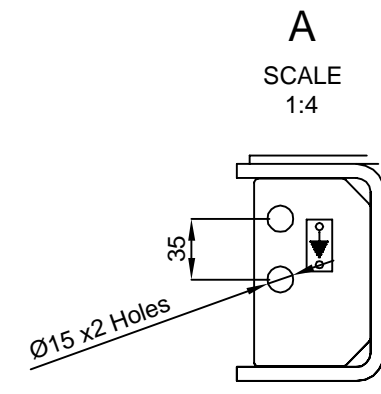
This drawing is a COMPUTER ORIGINAL for its authentication and does not require signatures



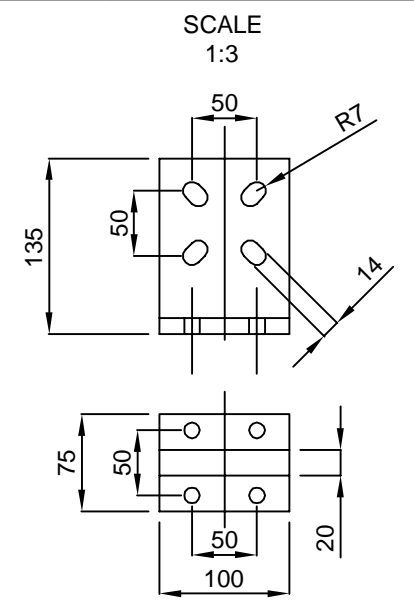
BOTTOM VIEW

Drawing approval subject to valid vendor registration

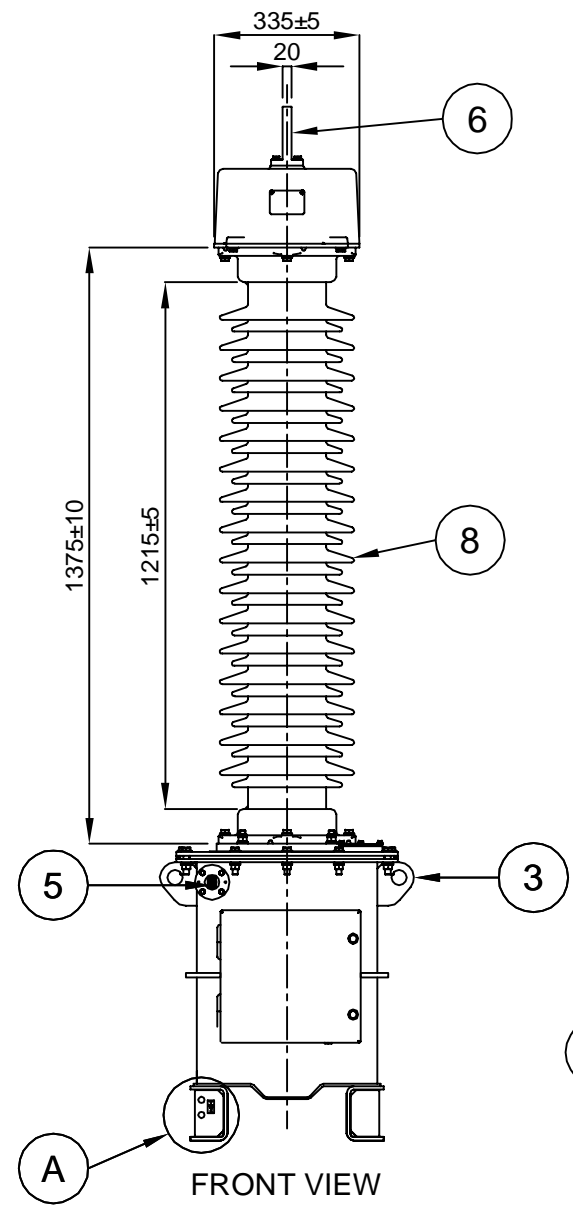
NOTE: 1. DRAWING APPROVAL SUBJECT TO VALID TYPE TEST REPORTS, TO BE CHECKED DURING ACCEPTANCE TESTS  
2. FOR EPC CONTRACTS ONLY



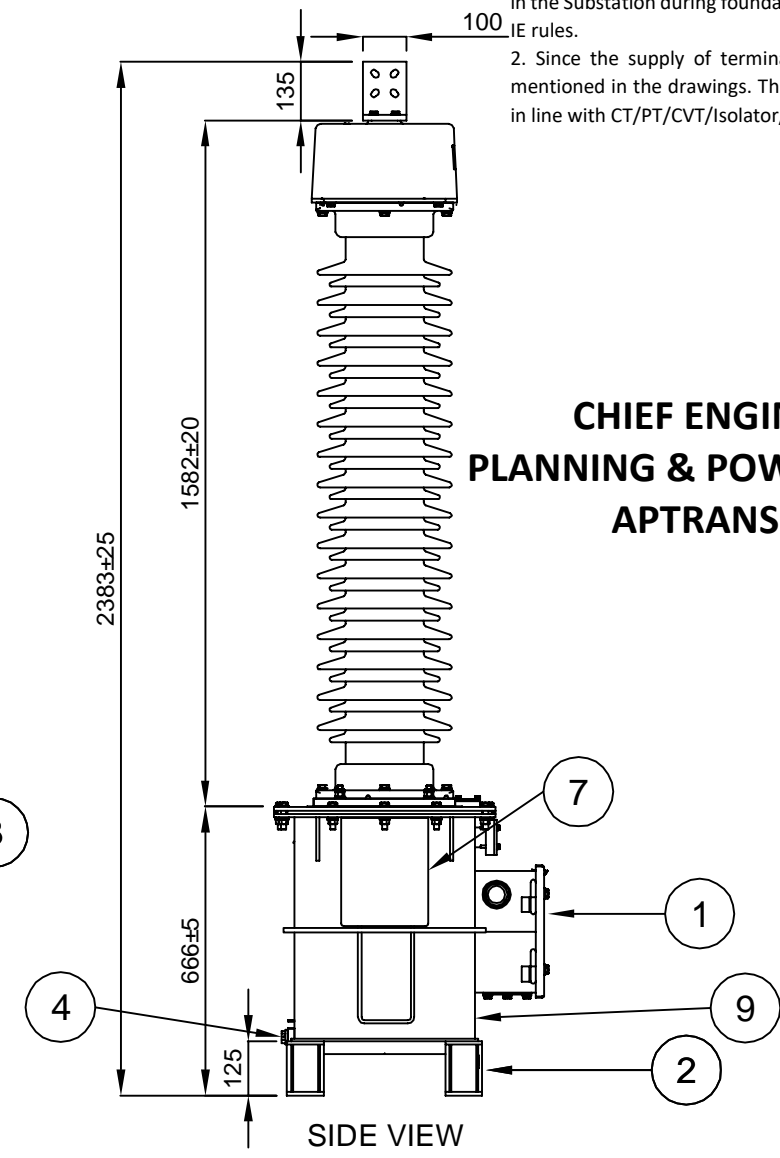
Earthing Terminal Detail



Primary Terminal Detail



FRONT VIEW



SIDE VIEW

1. Minimum 300mm plinth shall be maintained for CT/PT/CVT/Isolators/IV/LA/Breakers in the Substation during foundation works to ensure safe live to ground clearance as per IE rules.
2. Since the supply of terminal connectors is not in the scope of manufacturer as mentioned in the drawings. The EPC contractor shall be instructed to supply the same in line with CT/PT/CVT/Isolator/IVT/LA/Breakers requirement and compatibility.

**CHIEF ENGINEER  
PLANNING & POWER SYSTEMS  
APTRANSCO**

Sr.No.	DESCRIPTION	MATERIAL	QTY.
9	EMU TANK	MS HOT DIP GALVANISED	1
8	INSULATOR	PORCELAIN	1
7	RATING PLATE	ALUMINUM	1
6	PRIMARY TERMINAL	ALUMINUM	1
5	OIL LEVEL INDICATOR	TOUGHENED GLASS	1
4	OIL DRAIN PLUG	MS HOT DIP GALVANISED	1
3	LIFTING LUG	MS HOT DIP GALVANISED	4
2	MOUNTING PAD	MS HOT DIP GALVANISED	4
1	SECONDARY TERMIALANL BOX	MS HOT DIP GALVANISED	1

- Notes:-
1. All exposed ferrous parts including tank are hot dip galvanized.
  2. Connect the HF Terminal to Earth when carrier coupling device is not used.
  3. Nominal Creepage Distance is 3625 mm (25 mm/kV)
  4. All Dimensions are in mm. General Tolerance as per ISO:2768-C.
  5. CVD bellow material: Stainless Steel
  6. Two nos. earthing provisions provided on mounting pad diagonally.
  7. Porcelain insulators without any joint.

Revision Details:  
① Note revised,  
Tank view revised

Revision Details:  
② New drawing prepared.

We reserve all rights in this document and in the information contained there in. Reproduction, use or disclosure to third parties without express authority is strictly forbidden ©ABB.

Revision	Date	Description
A	2022-06-09	
B	2022-06-28	

145 kV Capacitor Voltage Transformer  
Type: CPB-H 145

General Arrangement Drawing

DRAWN: SS	CHECKED: PDS	APPRD.: SN	file: - 3320-052	TOTAL SH. 1
HITACHI ENERGY INDIA LIMITED (FORMERLY KNOWN AS APPSIL)			1HYT903320-052	Sh. NO. 1

We reserve all rights in this document and in the information contained there in. Reproduction, use or disclosure to third parties without express authority is strictly forbidden. © ABB.

Revision Details:  
 (A) New drg. prepared.  
 (B) Capacitance, wdg seq. revised

This document is COMPUTER ORIGINAL and does not need signature for its authentication

1. Minimum 300mm plinth shall be maintained for CT/PT/CVT/Isolators/IV/LA/Breakers in the Substation during foundation works to ensure safe live to ground clearance as per IE rules.
2. Since the supply of terminal connectors is not in the scope of manufacturer as mentioned in the drawings. The EPC contractor shall be instructed to supply the same in line with CT/PT/CVT/Isolator/IVT/LA/Breakers requirement and compatibility.

Revision	
A	2022-06-09
B	2022-06-28

**Rating Plate:**  
1HYP000428P3

**Rating & Diagram Plate for**  
145kV Capacitor Voltage  
Transformer

DRAWN: SR

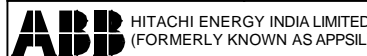
CHECKED: SNP

APPRD.: SN

file :3320-053

TOTAL SH.

1  
Sh. NO.  
1



**1HYT903320-053**

NOTE: 1. DRAWING APPROVAL SUBJECT TO VALID TYPE TEST REPORTS, TO BE CHECKED DURING ACCEPTANCE TESTS  
 2. FOR EPC CONTRACTS ONLY

200±1

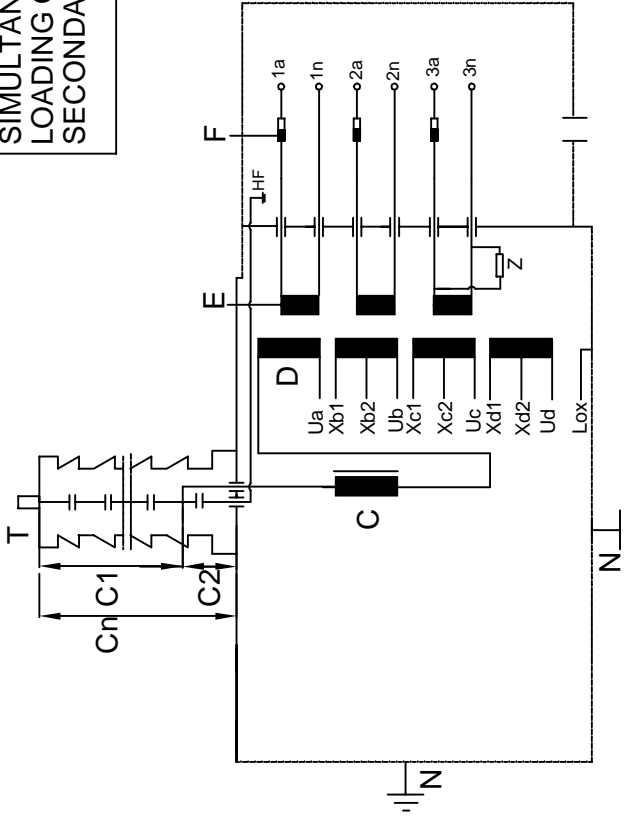
250±1

Hitachi Energy India Ltd		Made in India	
Type	CPB-H 145	Serial No.	xxxxxxx
Rated voltage	kV	132/√3	
Total creepage minimum	mm	3625	
Weight of oil	kg	78	
Total weight	kg	400	
Equ.Cap.(Cn)For PLCC	pF	4400 <sup>+10%</sup> <sub>-5%</sub>	
Nominal Intermediate volt	kV	23/√3	
Date of mfg.		MM/YYYY	
Suitable for hot line washing		YES	
G.A. drg. No.		1HYT903320-052	

1Ph. Capacitor voltage transformer	145
Highest system volt.kV	145/275/650
Rated Insulation level kV	50
Rated frequency Hz	IEC: 61869-5
Standard	5328
H.V.(PRI) Cap: C1 pF	25252
Int. V(SEC) Cap: C2 pF	-5 to +50 °C
Temperature category °C	750 VA
Total thermal burden VA	'A'
Class of Insulation	

Rated sec. voltage (V)	Terminal markings	Rated burden (VA)	Accuracy class
110/√3	1a - 1n	50	3P
110/√3	2a - 2n	50	3P
110/√3	3a - 3n	50	0.2
SIMULTANEOUS LOADING OF SECONDARIES		50	0.2
		100	3P

EARTH HF TERMINAL WHEN NOT IN USE FOR PLCC



T - H.V. Terminal  
 C - Compensating reactor  
 D - Primary Winding  
 E - Secondary Winding  
 F - FUSE  
 HF- H.F. Terminal(PLCC)  
 N - Earthing  
 Z - F.R. Circuit  
 Ud-Xd } Compensating windings  
 Uc-Xc }  
 Ub-Xb }  
 Ua-Lead connecting C,D.  
 Lox-Earth Terminal

END CUSTOMER: APTRANSCO

HEIL WORKS ORDER NO : (AS APPLICABLE)

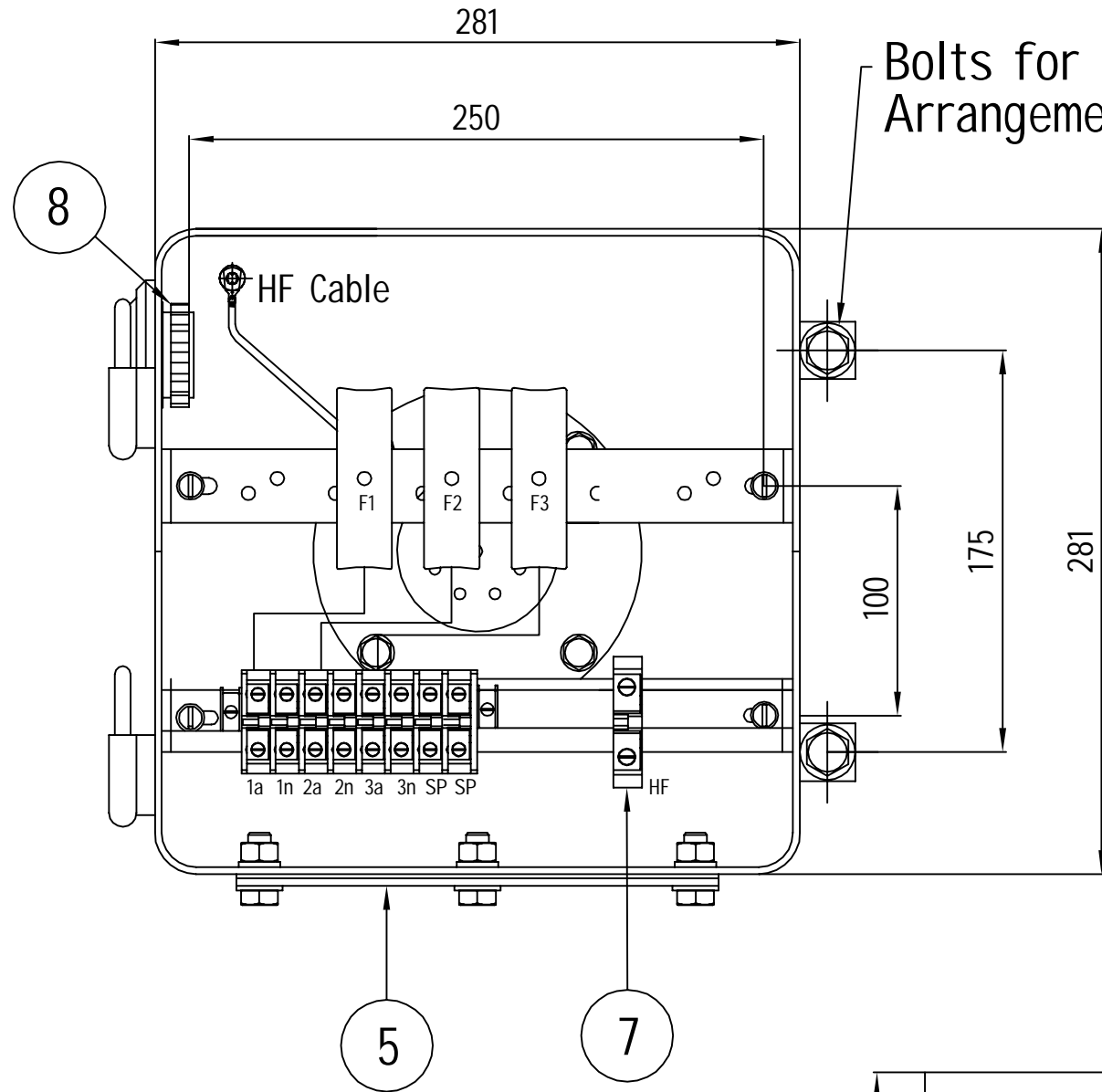
CLIENT WORK ORDER NO: (AS APPLICABLE)

ABB is a registered trademark of ABB Asea Brown Boveri Ltd.  
 Manufactured by/for a Hitachi Energy company.

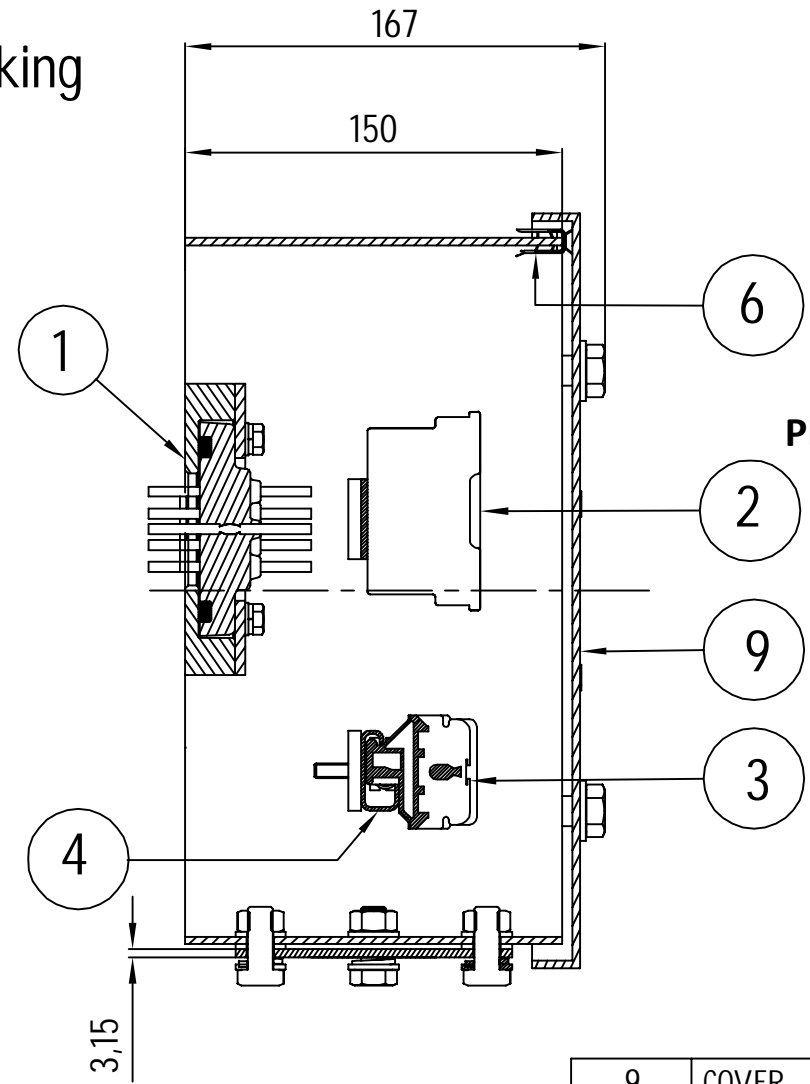
Drawing approval subject to valid vendor registration

**CHIEF ENGINEER**  
**PLANNING & POWER SYSTEMS**  
**APTRANSCO**

NOTE: 1. DRAWING APPROVAL SUBJECT TO VALID TYPE TEST REPORTS, TO BE CHECKED DURING ACCEPTANCE TESTS  
2. FOR EPC CONTRACTS ONLY

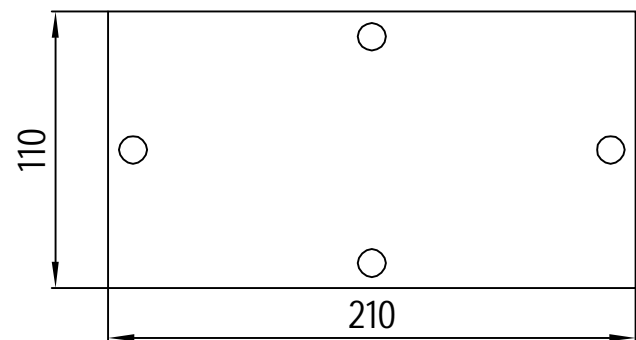


Bolts for Locking Arrangement



**CHIEF ENGINEER  
PLANNING & POWER SYSTEMS  
APTRANSCO**

9	COVER
8	BREATHER
7	HF TERMINAL CONNECTION - OAT 25
6	EPDM GASKET
5	REMOVABLE UNDRILLED CABLE GLAND PLATE
4	TERMINAL MOUNTING CHANNEL
3	TERMINALS ELMEX MAKE CAT M4
2	HRC. FUSES (16AMP)
1	SECONDARY WINDING TERMINALS & HF BUSHING
Sr. No.	Item Description



5. REMOVABLE UNDRILLED CABLE GLAND PLATE

**NOTES:**

- 1) DEGREE OF PROTECTION IP-55.
- 2) ALL FERROUS PARTS ARE HOT DIP GALVANIZED.
- 3) STEEL SHEET 3.15mm THICK HOT ROLLED.
- 4) ALL DIMENSIONS ARE IN mm.

We reserve all rights in this document and in the information contained there in. Reproduction, use or disclosure to third parties without express authority is strictly forbidden © ABB.

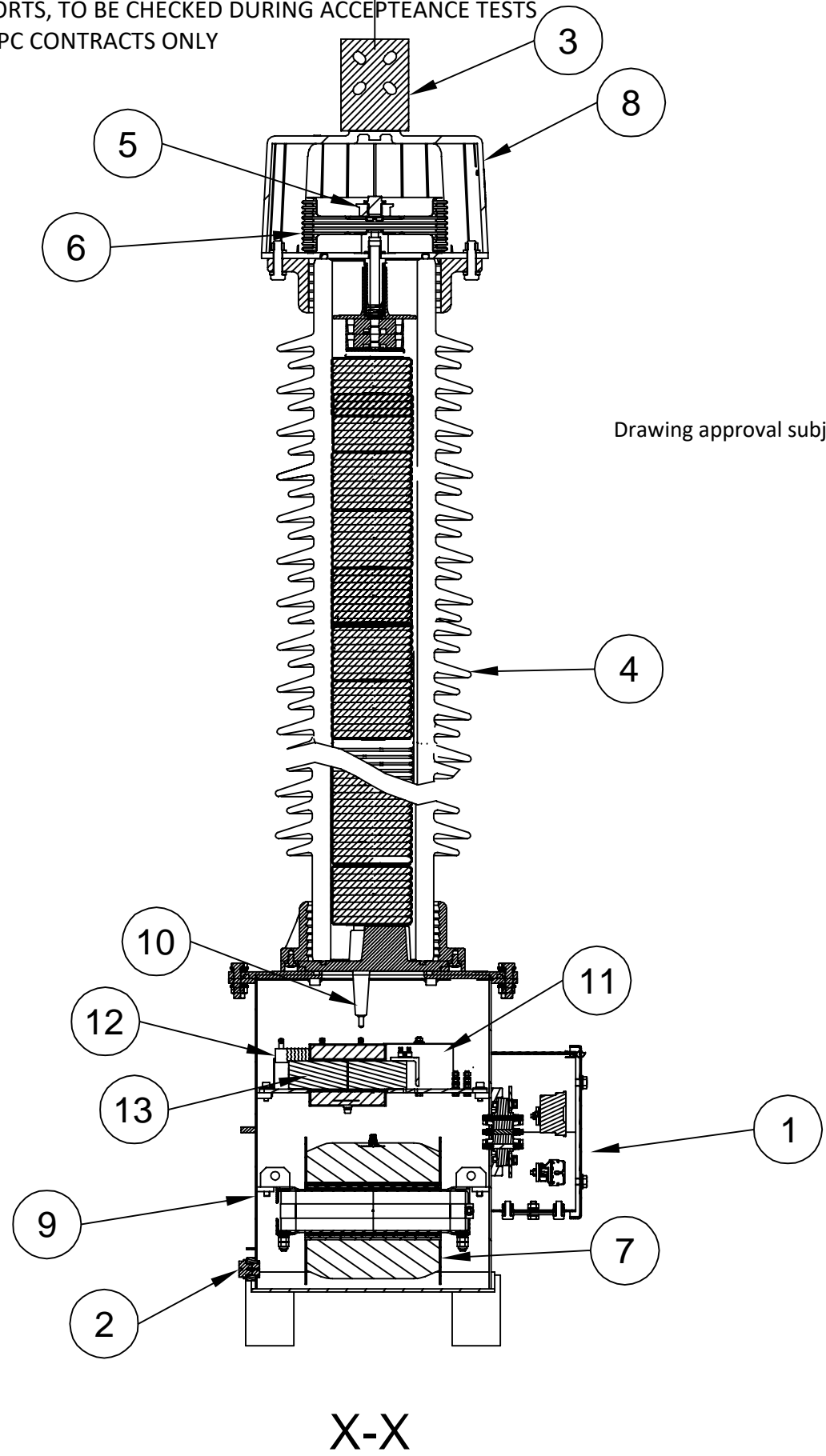
Revision Details:  
A New drg. prepared.

Revision Details:  
B Gland plate view added

This drawing is a COMPUTER ORIGINAL and does not require signatures for its authentication

Revision		145 KV Capacitor Voltage Transformer Type: CPB-H 145	SECONDARY TERMINAL BOX	DRAWN: SR	CHECKED: SNP	APPRD.: SN	file: 3320-054	TOTAL SH. 1
A	2022-06-09			<b>ABB</b> HITACHI ENERGY INDIA LIMITED (FORMERLY KNOWN AS APPSIL)			1HYT903320-054	Sh. NO. 1
B	2022-06-28							

NOTE: 1. DRAWING APPROVAL SUBJECT TO VALID TYPE TEST REPORTS, TO BE CHECKED DURING ACCEPTANCE TESTS  
2. FOR EPC CONTRACTS ONLY



Notes:

1. All exposed ferrous parts including tank are hot dip galvanized.
2. Connect the HF Terminal to Earth when carrier coupling device is not used.
3. All Dimensions are in mm. General Tolerance as per ISO:2768-C.
4. Porcelain insulators without any joint.
5. CVD bellow material: Stainless Steel

Drawing approval subject to valid vendor registration

**CHIEF ENGINEER  
PLANNING & POWER SYSTEMS  
APTRANSCO**

13	Compensating reactor	1
12	Damping resistor.	1
11	Damping reactor	1
10	Mono Bushing	1
9	EMU tank	1
8	Top cover	1
7	Intermediate Voltage transformer	1
6	Bellow	1
5	Oil Filling Plug (Not to be Opened as hermetically sealed)	1
4	Insulator	1
3	Primary Terminal	1
2	Oil Drain Plug	1
1	Secondary Terminal Box	1
Sr. No.	Description	Quantity

This drawing is a COMPUTER ORIGINAL and does not require signatures for its authentication

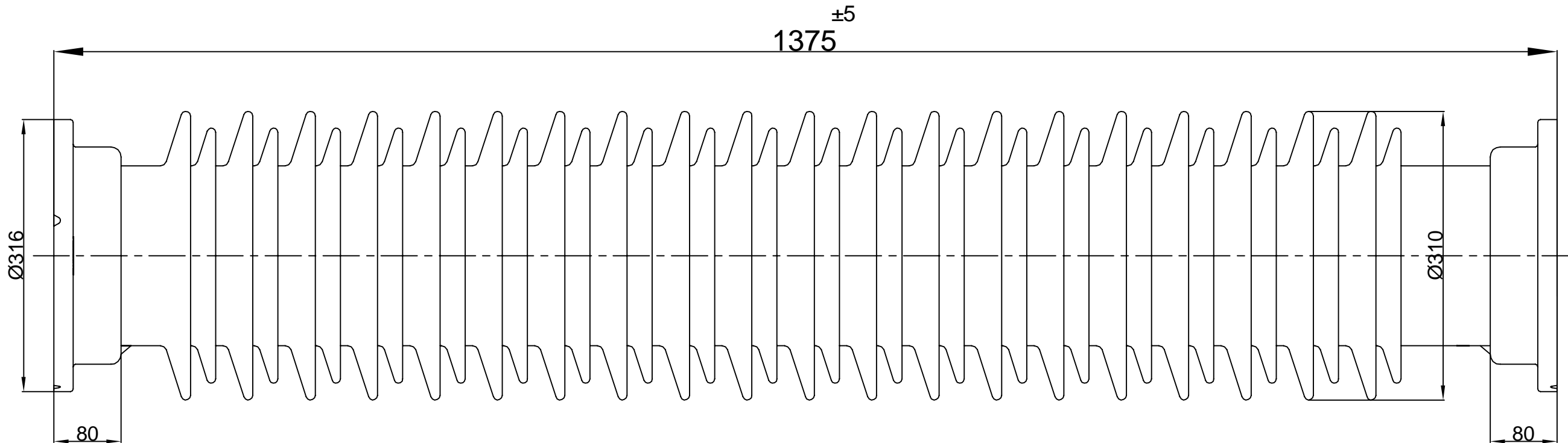
Revision Details:  
(B) Note 4 revised

Revision Details:  
(A) New drg. prepared.

We reserve all rights in this document and in the information contained there in. Reproduction, use or disclosure to third parties without express authority is strictly forbidden © ABB.

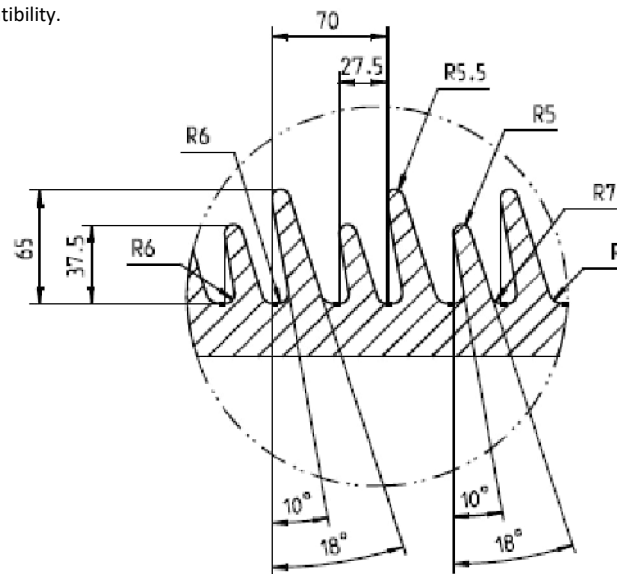
Revision		145 KV Capacitor Voltage Transformer Type: CPB-H 145	SECTIONAL VIEW	DRAWN: SR	CHECKED: SNP	APPRD.: SN	file: 3320-055	TOTAL SH. 1
A	2022-06-09			<b>ABB</b> HITACHI ENERGY INDIA LIMITED (FORMERLY KNOWN AS APPSIL)			<b>1HYT903320-055</b>	
B	2022-07-07							

NOTE: 1. DRAWING APPROVAL SUBJECT TO VALID TYPE TEST REPORTS, TO BE CHECKED DURING ACCEPTANCE TESTS  
2. FOR EPC CONTRACTS ONLY



1. Minimum 300mm plinth shall be maintained for CT/PT/CVT/Isolators/IV/LA/Breakers in the Substation during foundation works to ensure safe live to ground clearance as per IE rules.
2. Since the supply of terminal connectors is not in the scope of manufacturer as mentioned in the drawings. The EPC contractor shall be instructed to supply the same in line with CT/PT/CVT/Isolator/IVT/LA/Breakers requirement and compatibility.

Drawing approval subject to valid vendor registration



16 long and 16 short sheds

**CHIEF ENGINEER  
PLANNING & POWER SYSTEMS  
APTRANSCO**

- A) CEMENT COMPOUND SHOULD NOT STICK ON INSULATOR END OUTER CHAMFER AS WELL AS SEALING SURFACE
- B) THE OUTER SURFACE OF FLANGES SHALL BE WITH COLOURLESS ANODIZING OF 5 um THICKNESS MIN. THE ANODIZING SHALL NOT BE DONE ON SURFACE MARKED WITH CHAIN DOTTED LINE (i.e., ALONG SEALING SURFACE)
- C) PLEASE REFER SH.2 FOR SHED PROFILE AND ITS DETAIL
- D) THE TOTAL CREEPAGE DISTANCE SHALL BE 3625 mm MIN.
- E) CANTILEVER STRENGTH: 600Kg

Ref Standard IEC 62155/IS 5621

This drawing is a COMPUTER ORIGINAL for its authentication and does not require signatures

Revision Details:  
Ⓞ Cantilever strength added

Revision Details:  
Ⓞ New drawing prepared.

We reserve all rights in this document and in the information contained there in. Reproduction, use or disclosure to third parties without express authority is strictly forbidden ©ABB.

Revision		145 kV Capacitor Voltage Transformer Type: CPB-H 145	INSULATOR DRAWING (25 mm/kV)	DRAWN: SR	CHECKED: PDS	APPRD.: SN	file: - 3320-068	TOTAL SH. 1
A	2022-06-09			ABB HITACHI ENERGY INDIA LIMITED (FORMERLY KNOWN AS APPSIL)	1HYT903320-068		Sh. NO. 1	
B	2022-06-29							

**6096769/2022/EEMRT-ENE51 FOR 132kV CAPACITOR VOLTAGE TRANSFORMERS**

NOTE: 1. DRAWING APPROVAL SUBJECT TO VALID TYPE TEST

REPORTS, TO BE CHECKED DURING ACCEPTANCE TESTS

1	Name of the Manufacturer	Hitachi Energy India Limited
2	Type Designation	CPB-H 145
3	Type of CVT	Outdoor, Oil filled, hermetically sealed
4	Rated Primary Voltage (kV)	132/√3
5	Highest Service Voltage (kV)	145
6	Rated Voltage factor	1.2 Continuous & 1.5 for 30 Sec.
7	Rated Frequency (Hz)	50
8	Number of Phases	Single
9	Power frequency voltage withstand for 1 minute (kV rms)	275
10	Lightning Impulse voltage withstand for 1.2/50 μs (kV peak)	650
11	Switching Impulse voltage withstand for 250/2500 μs (kV peak)	NA
12	Power frequencies voltage withstand of secondary winding	3 kV for 1 Minute
13	Power frequencies voltage withstand of H.F. Terminal	4 kV for 1 Min. (for Enclosed Type)
14	Equivalent series resistance over entire carrier frequency range (Ohm)	<40
15	Standard Applicable	IEC: 61869-5
16	Temperature rise over ambient temperature at 50 °C	According to IEC: 61869-5 /IEC:186 / IS:3156
17	Radio interference voltage at 1 MHz at 1.1Um/√3 (μV)	<1000
18	Whether CVTs are suitable for Carrier Communication, Carrier Teleprinting services, Metering, Relaying, Protection, Synchronizing and Interlocking purposes?	Yes
19	Capacitance values (pF)	<b>4400 (+10% -5%)</b>
20	Natural frequency of coupling / Self Tuning frequency (kHz)	≥ 500
21	Band width (kHz)	40 to 500
22	Values of stray capacitance and stray conductance in the carrier frequency range of 40 to 500 kHz	300 + 0.05C <sub>n</sub> (pF) and 50 μS (As per IEC:60358)
23	Capacitance Temp coefficient (% per kelvin)	0.07 %
24	Rated intermediate voltage of CVT (kV)	23/√3
25	Rated primary voltage of EMU (kV)	23/√3
26	Tan Delta value of CVT	<0.005
27	Type of Insulator	Porcelain
28	Mounting details (mm)	365x365
29	Overall height (mm)	2383±25
30	Standard range of frequencies for which accuracy are valid	As per IEC 61869-5 (96% to 102% for protection) (99 % to 101% for metering)
31	Nominal creepage distance (mm/kV)	25
32	Total Weight (kg)	400 approx.
33	Quantity of oil (kg)	78 approx.
34	Surface finish of all ferrous parts	Mild Steel – Hot Dip Galvanized
35	Provision made for accepting the change in oil volume?	Metal Bellows
36	Type & Material of terminal pad	Flat type, Aluminum
37	Partial Discharge (pC)	<10 at Um, <5 at 1.2 Um/√ 3
38	EMU oil	Mineral oil (As per IEC:60296)
39	CVD oil	Synthetic oil (As per IEC:60867)
40	Seismic acceleration	0.36g
41	Type of insulation	A

Drawing approval subject to valid vendor reg

**CHIEF ENGINEER  
PLANNING & POWER SYSTEMS  
APTRANSCO**

**6096769/2022/EEMRT-ENE51** **GUARANTEED TECHNICAL PARTICULARS**  
**FOR 132kV CAPACITOR VOLTAGE TRANSFORMERS**

NOTE: 1. DRAWING APPROVAL SUBJECT TO VALID TYPE TEST  
 REPORTS, TO BE CHECKED DURING ACCEPTANCE TESTS  
 2. FOR EPC CONTRACTS ONLY

**Winding Details**

Sr.No.	Parameter	Wdg I	Wdg II	Wdg III
1	Rated Secondary Voltage (v)	110/ $\sqrt{3}$	110/ $\sqrt{3}$	110/ $\sqrt{3}$
2	Accuracy Class	<b>3P</b>	<b>3P</b>	<b>0.2</b>
3	Rated BurdenS	<b>50 VA</b>	<b>50 VA</b>	<b>50 VA</b>
4	Simultaneous Burden	50 VA for 0.2 & 100 for 3P		
5	Rated Thermal Burden	750 VA		

1. Minimum 300mm plinth shall be maintained for CT/PT/CVT/Isolators/IV/LA/Breakers in the Substation during foundation works to ensure safe live to ground clearance as per IE rules.
2. Since the supply of terminal connectors is not in the scope of manufacturer as mentioned in the drawings. The EPC contractor shall be instructed to supply the same in line with CT/PT/CVT/Isolator/IVT/LA/Breakers requirement and compatibility.

**CHIEF ENGINEER**  
**PLANNING & POWER SYSTEMS**  
**APTRANSCO**

Drawing approval subject to valid vendor registration