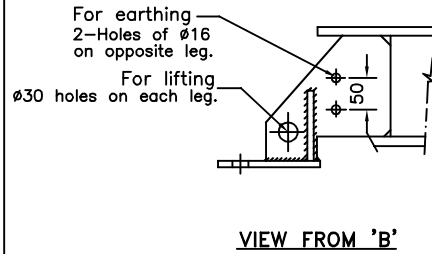
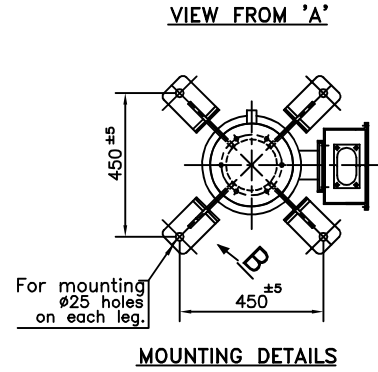
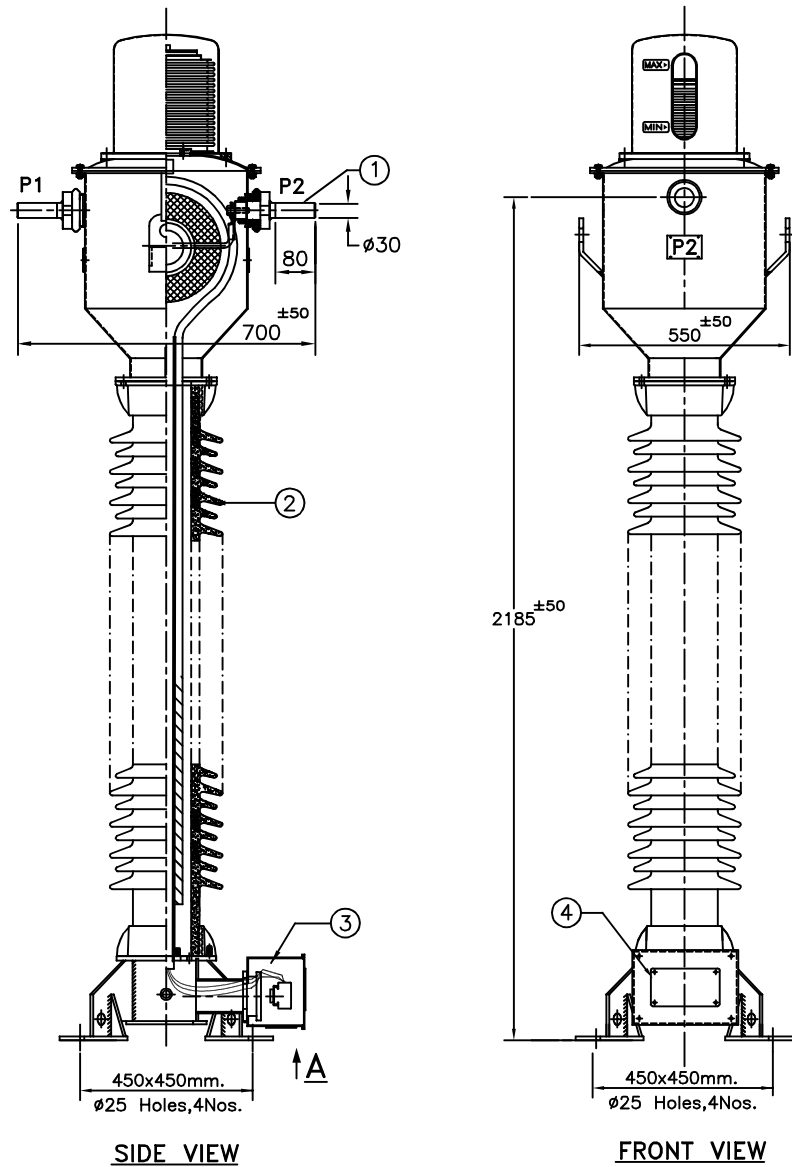


601 SHELL

IF IN DOUBT ASK



NO.	QTY.	DESCRIPTION	MATERIAL/SPEC.
1	2	PRIMARY TERMINAL-ø30x80L(Min.)	COPPER
2	1	PORCELAIN INSULATOR (BROWN COLOUR)	PORCELAIN
3	1	SECONDARY TERMINAL BOX	DRG.NO: 145 HC CT 150-1A SB
4	1	RATING & SCHEMATIC DIAGRAM	DRG.NO: 145 HC CT 150-1A RS

Chief Engineer
 Power Systems, Planning & Design
 APTransco

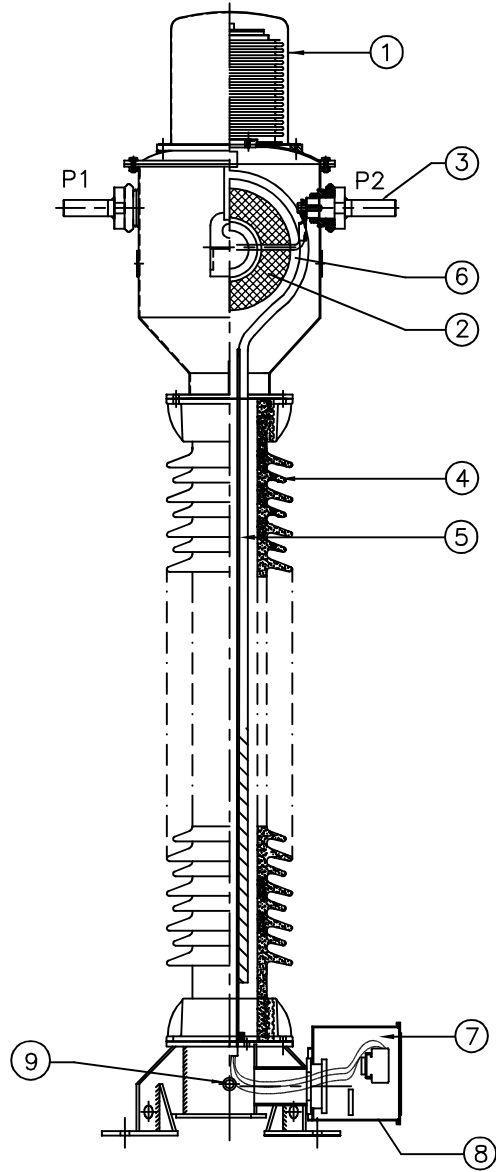
Drawing approval subject to valid vendor registration

NOTE : PLEASE REFER INSTRUCTION MANUAL FOR HANDLING & TRANSPORTATION OF CT.

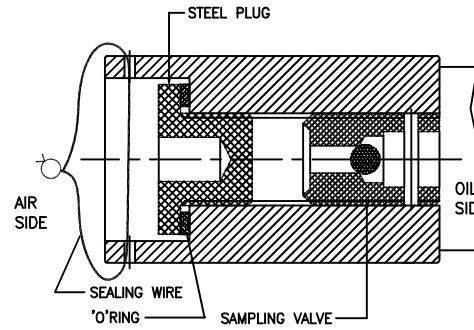
NO	REVISION	SIGN	DATE	NO	REVISION	SIGN	DATE	NO	REVISION	SIGN	DATE	SCALE	N.T.S.	DATE	ALL DIMENSIONS ARE IN mm	DRG.NO: 145 HC CT 150-1A GA/RO
R6				R4				R2								
R5				R3				R1								



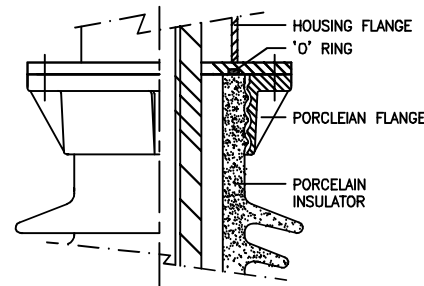
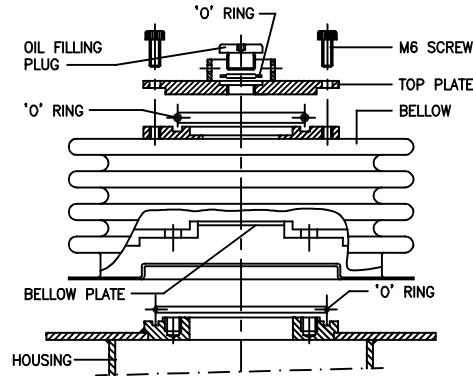
IF IN DOUBT ASK



ITEM NO: 9
ASSEMBLY OF OIL SAMPLING VALVE



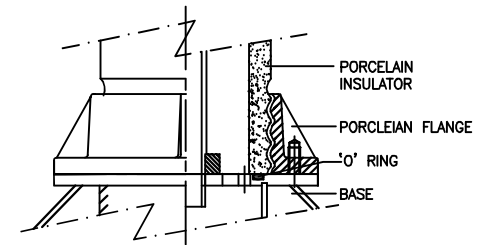
ASSEMBLY OF BELLOWS




DETAILS OF 'A'

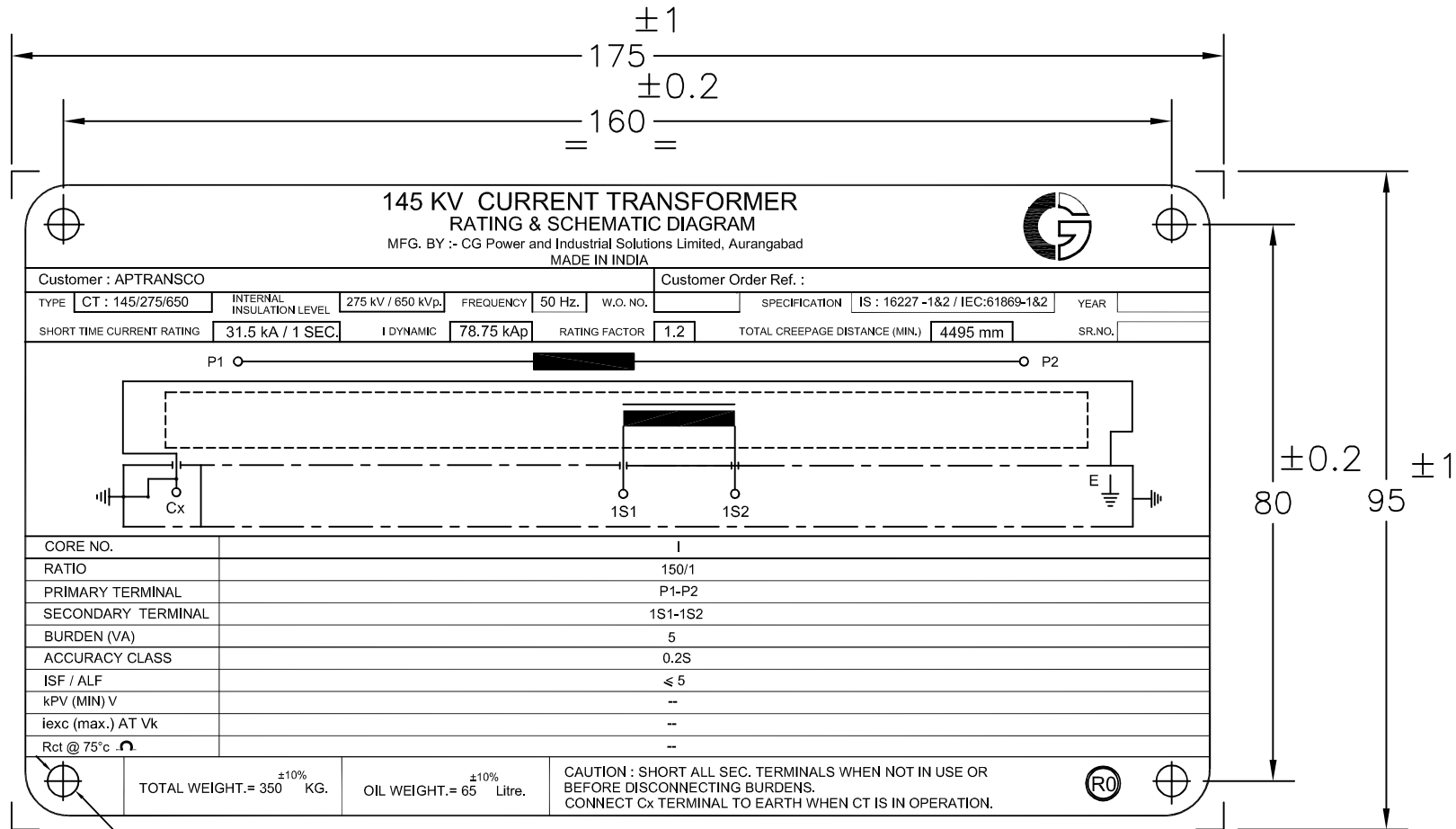
ITEM	QTY.	DESCRIPTION
1	1	OIL LEVEL INDICATOR
2	1	CORE WITH SECONDARY WINDING
3	2	PRIMARY TERMINAL(ø30x80mm.Long.Min)
4	1	PORCELAIN INSULATOR
5	1	COND. BUSHING
6	1	METALLIC SHELL
7	3	SECONDARY TERMINALS
8	1	GLAND PLATE
9	1	OIL SAMPLING VALVE

Chief Engineer
Power Systems, Planning & Design
APTransco



DETAILS OF 'B'

R6			R4			R2				SIGN	NAME	SECTIONAL VIEW DRAWING FOR 145 kV CURRENT TRANSFORMER TYPE-CT:145/275/650	 CG Power and Industrial Solutions Limited, Aurangabad			
R5			R3		R1				DRN	SSM						
									CHD	SSM						
									APPD	SDS						
NO	REVISION	SIGN	DATE	NO	REVISION	SIGN	DATE	NO	REVISION	SIGN	DATE	SCALE	N.T.S.	DATE : 06.05.2021	ALL DIMENSIONS ARE IN mm	DRG.NO:-145 HC CT 150-1A SV/R0



IF IN DOUBT ASK

4 HOLES OF Ø4.5 mm
Material-Aluminium Anodised.

CT SR.NOs. :

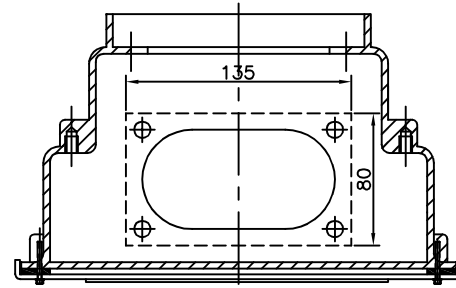
Drawing approval subject to valid vendor registration

Chief Engineer
Power Systems, Planning & Design
APTransco

NO	REVISION	SIGN	DATE	NO	REVISION	SIGN	DATE	NO	REVISION	SIGN	DATE	SCALE	N.T.S.	DATE	ALL DIMENSIONS ARE IN mm	DRG.NO:- 145 HC CT 150-1A RS/R0
R6				R4				R2								
R5				R3				R1								

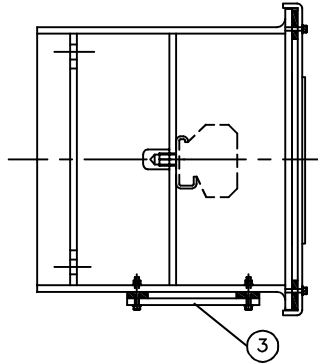


SL.NO.	QTY	ITEM	MATERIAL	RM SIZE/SPECIFICATION
1	1	SECONDARY BOX ASSEMBLY	ALUMINIUM	DRG.NO.-480684
2	3	SEC.TERMINAL BLOCK WITH MARKER	MELAMINE	MAKE: ELMEX KBT M5-15
3	1	GLAND PLATE	ALUMINIUM	135x80 mm.
4	1	RATING & SCHEMATIC DIAGRAM	ALUMINIUM ANOD.	--

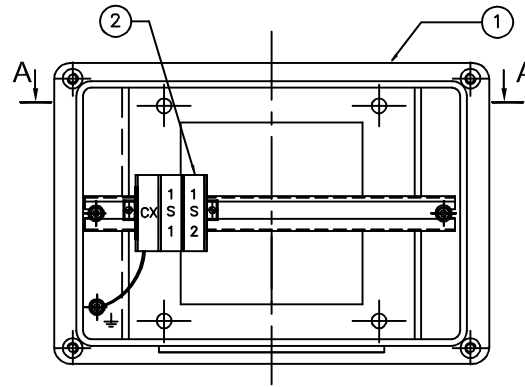


TOP VIEW (SECTION A-A)

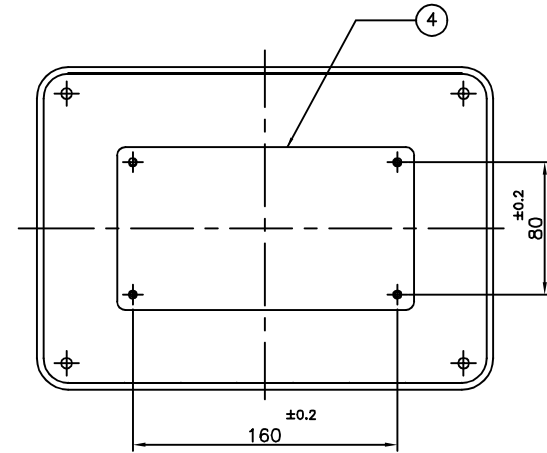
Drawing approval subject to valid vendor registration



SIDE VIEW



ELEVATION




COVER

IF IN DOUBT ASK

NOTES :

- 1) SECONDARY BOX ASSEMBLY TO CONFIRM IP55 AS PER IS:13947
- 2) CX:TERMINAL FOR CAPACITANCE & TAN DELTA MESUREMENT ONLY. SHOULD BE KEPT EARTHED WHEN NOT IN USE.

Chief Engineer
Power Systems, Planning & Design
APTransco

R6		R4		R2			SIGN	NAME	SECONDARY BOX ASSEMBLY FOR 145 kV CURRENT TRANSFORMER TYPE-CT:145/275/650	 CG Power and Industrial Solutions Limited, Aurangabad			
R5		R3		R1		DRN	SSM						
						CHD	SSM						
NO	REVISION	SIGN	DATE	NO	REVISION	SIGN	DATE	NO	SCALE	N.T.S.	DATE: 09.06.2021	ALL DIMENSIONS ARE IN mm	DRG.NO: 145 HC CT 150-1A SB/R0

CG Power and Industrial Solutions Limited
Vacuum Interrupters and Instrument Transformers Division: Power Systems
 D-2, MIDC, Waluj, Aurangabad 431 136, Maharashtra, India
 T: +91 240 255 8000 F: +91 240 255 4697



Page 1 of 2

**GUARANTEED TECHNICAL PARTICULARS FOR
CURRENT TRANSFORMERS**

REF.	145 KV CT	150/1A	High Creepage	Revision:	R0
Sr#	Particulars		Unit	Values	
1	Type/ Installation			Single Phase, Oil impregnated, Hermetically sealed, Outdoor Current Transformer. LIVE Tank Type	
2	Manufacturer's Name and Country of Manufacture			CG Power and Industrial Solutions Limited Aurangabad, India	
3	Manufacturers Type designation			CT:145/275/650	
4	Highest System Voltage (Phase to phase)		kV	145	
5	Type of insulation used			Class A (Oil Impregnated Paper)	
6	Rated Frequency		Hz	50	
7	Suitable for Altitude (Max)		Meters	1000	
8	Conforming to Standard			IS: 16227-1&2 / IEC: 61869-1&2	
9	Rated System Voltage (Phase to Earth)		kV	132/√3	
10	Rated Primary Current		Amps	Refer Table on Page-2	
11	Rated Secondary Current		Amps	Refer Table on Page-2	
12	Details of Cores			Refer Table on Page-2	
13	Rated Continuous current rating			120% of Rated Current	
14	Ratio selection (taps) by			Secondary Taps Only.	
15	No. of Secondary Cores			1	
16	Rated Short Time withstand Current & duration		kAmps/secs	31.5 kA for 1 Sec.	
17	Dynamic peak withstand current		kA peak	78.75	
18	One minute Power Frequency (Wet & Dry) withstand Voltage on Primary Winding		kV rms	275	
19	1.2/50 micro sec. Lightning Impulse withstand Voltage		kV peak	650	
20	One minute Power Frequency withstand Voltage on Secondary Winding		kV rms	3	
21	Total Creepage distance		mm (mm/kV)	4495 (31 mm/kV)	
22	Primary Terminal material & details			Copper φ 30 x 80 mm long	
23	Surface Finish of MS components exposed to atmosphere			Hot Dip Galvanised.	
24	Secondary Terminal Box arrangement			Single Door Box.	
25	Volume of Oil		Litres	65 +/-10%	
26	Total weight of equipment		kg	350 +/-10%	
27	Mounting details		mm	4 Holes of Dia. 25 mm. @ 450x450 mm.	
28	Material of Tank/Housing			Mild Steel	
29	Dielectric Dissipation Factor (Tan-Delta)			< 0.005	
30	Measurement of Partial Discharge @ 1.2 UM/ √3		pC	< 5	
31	Measurement of Partial Discharge @ UM		pC	< 10	

145LT601MS

Registered Office:
 CG House, 6th Floor, Dr Annie Besant Road, Worli, Mumbai 400 030, India
 T: +91 22 2423 7777 F: +91 22 2423 7733 W: www.cgglobal.com
 Corporate Identity Number: L99999MH1937PLC002641

Drawing approval subject to valid vendor registration

Chief Engineer
Power Systems, Planning & Design
APTransco

CG Power and Industrial Solutions Limited
Vacuum Interrupters and Instrument Transformers Division: Power Systems
 D-2, MIDC, Waluj, Aurangabad 431 136, Maharashtra, India
 T: +91 240 255 8000 F: +91 240 255 4697



Page 2 of 2

REF.	145 KV CT	150/1A	Revision:	R0
------	-----------	--------	-----------	----

TABLE - CORE DETAILS

CORE NO.	I					
PRIMARY CURRENT	150					
SEC. CURRENT (Amps)	1					
PRIMARY TERMINALS	P1 - P2					
SEC. TERMINALS	1S1 - 1S2					
ACCURACY CLASS	0.2S					
BURDEN (VA)	5					
ISF (for METERING)	≤ 5					
ALF (For PROTECTION)						
KNEE POINT VOLTAGE						
I _{exc} (MAX), mA						

NOTE : DRAWING APPROVAL SUBJECT TO VALID TYPE TEST REPORTS, TO BE CHECKED DURING ACCEPTANCE TESTS.

- 1). Minimum 300 mm Plinth shall be maintained for Current transformers in the substation during foundation works to ensure safe live to ground clearances as per IE rules.
- 2). Since the supply of terminal connectors is not in the scope of CT Manufacturer as mentioned in the drawings, the EPC contractors shall be instructed to supply the same in line with the CT requirement and compatibility.

FOR EPC CONTRACTS ONLY

Chief Engineer
 Power Systems, Planning & Design
 APTransco

Drawing approval subject to valid vendor registration