

NOTE:- THIS COMPLETE SET OF DRAWINGS ARE REPRESENTATIVE OF THE LATEST TYPE TEST REPORT AND PROPRIETARY DESIGN, RESEARCH & DEVELOPMENT OF SWITCHGEAR MANUFACTURING COMPANY PVT. LTD. GANDRAJAPALLE. THE DESIGNS SHALL NOT BE REPRODUCED WITHOUT WRITTEN CONSENT OF SWITCHGEAR MANUFACTURING COMPANY PVT. LTD. GANDRAJAPALLE.

			106
			765
REV	DATE	CHANGES MADE	SIG

NOTE: 1. Drawings Approval subject to valid type test reports, to be checked during acceptance tests.
 2. For EPC contractors only.


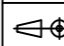
1. Minimum 300mm plinth shall be maintained for CT/PT/CVT/Isolators/IV/LA/Breakers in the substation during foundation works to ensure safe live to ground clearance per IE rules.
2. Since the supply of terminal connectors is not in the scope of manufacturer as mentioned in the drawings. The EPC contractor shall be instructed to supply the same line with CT/PT/CVT/Isolator/IVT/LA/Breaker's requirement and compatibility.

LIST OF DRAWINGS/DOCUMENTS 145KV DBR DISCONNECTOR

S NO.	TITLE	DRAWING NO.	REV	SHEET
1	GA OF 145kV 1200A 'DBR' DISCONNECTOR WITHOUT EARTH SWITCH	STD-1450014	0	1 OF 1
2	DETAILS OF MAIN CONTACT (145KV 1200A DBR DISCONNECTOR)	STD-1450015	0	1 OF 1
3	GA OF MANUAL OPERATING MECHANISM FOR DISCONNECTOR	STD-1450016	0	1 OF 1
4	NAME PLATE DETAILS (FOR 145KV DBR DISCONNECTOR)	STD-1450017	0	1 OF 1

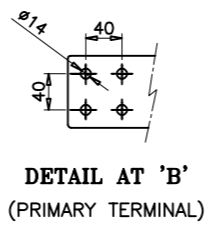
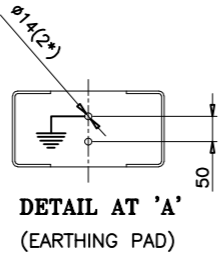
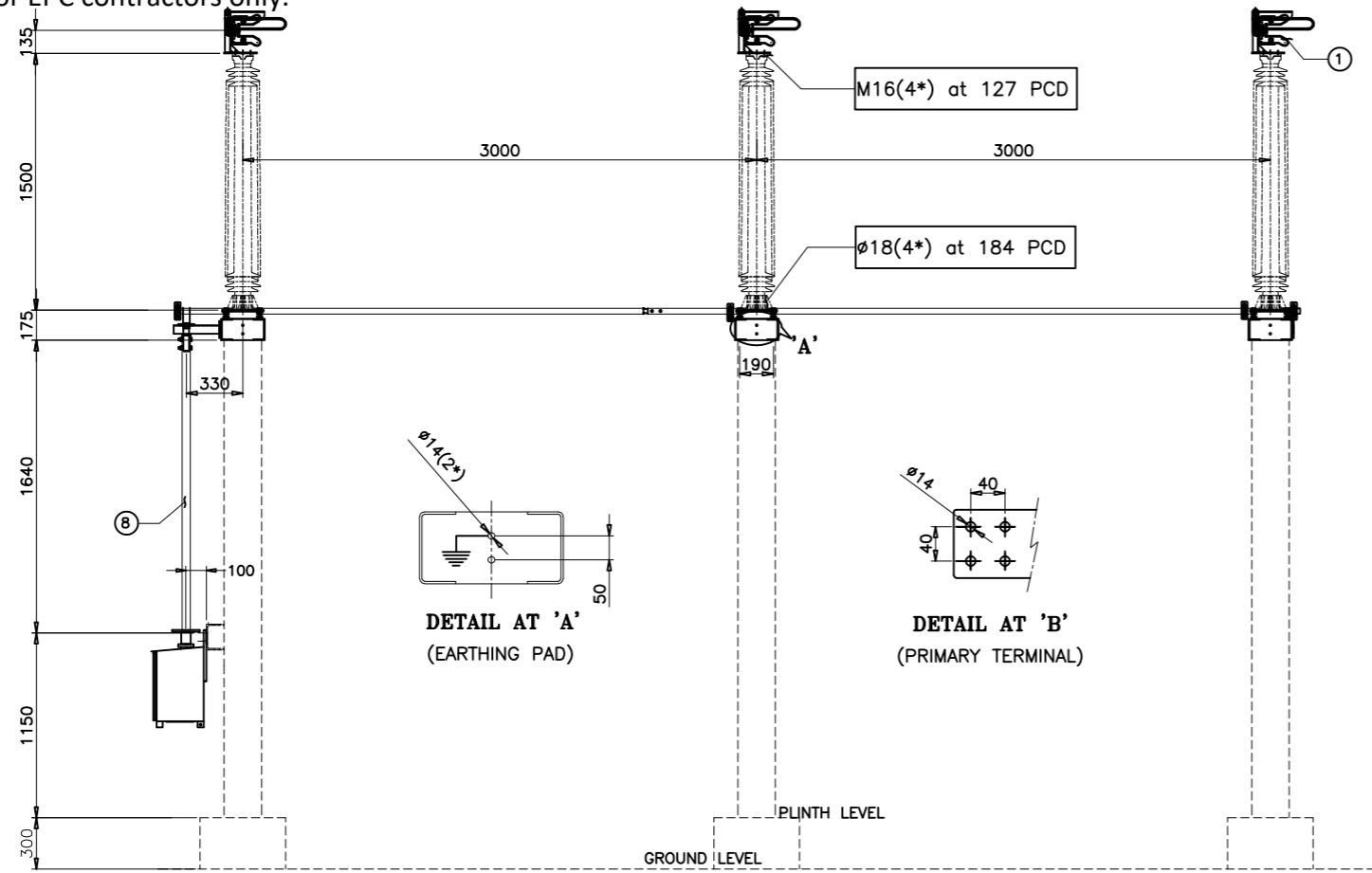
Drawing approval subject to valid vendor registration

CHIEF ENGINEER/PROJECTS
APTRANSCO/VISVIJAYAWADA

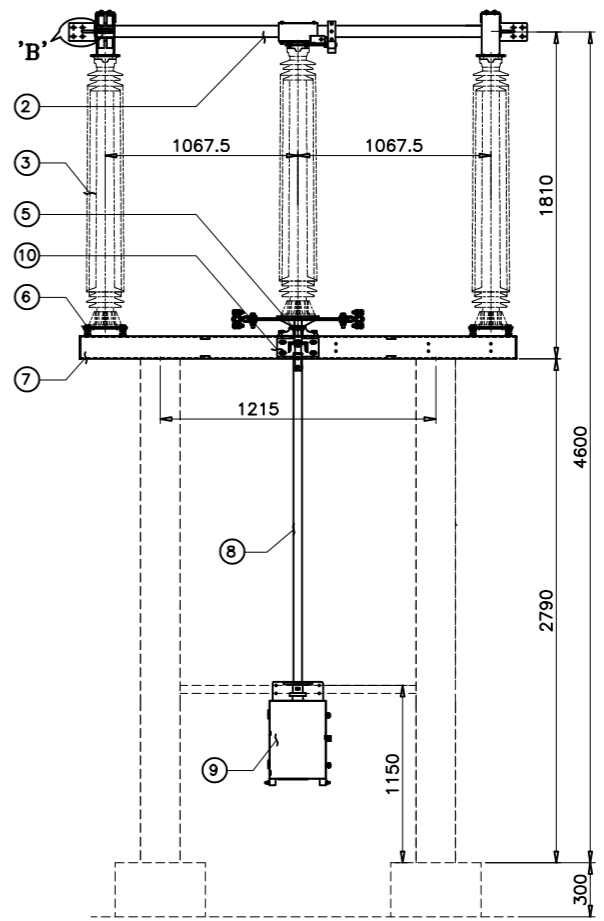
DRN	YVG	04.06.22	 SWITCHGEAR MANUFACTURING COMPANY GANDRAJUPALLE, CHITTOOR DIST, A.P, INDIA.
CHKD	VK	04.06.22	
APPD	OJA	04.06.22	
DEPT	SIGN	DATE	
	SC: NTS	Paper size A3	TITLE FOR 145KV DBR DISCONNECTOR
DRG.NO. S T D - 1 4 5 0 0 1 3			SHEET 1 OF 1
			REV. 0

NOTE:- THIS COMPLETE SET OF DRAWINGS ARE REPRESENTATIVE OF THE LATEST TYPE TEST REPORT AND PROPRIETARY DESIGN, RESEARCH & DEVELOPMENT OF SWITCHGEAR MANUFACTURING COMPANY PVT. LTD. GANDRAJAPALLE. THE DESIGNS SHALL NOT BE REPRODUCED WITHOUT WRITTEN CONSENT OF SWITCHGEAR MANUFACTURING COMPANY PVT. LTD. GANDRAJAPALLE.

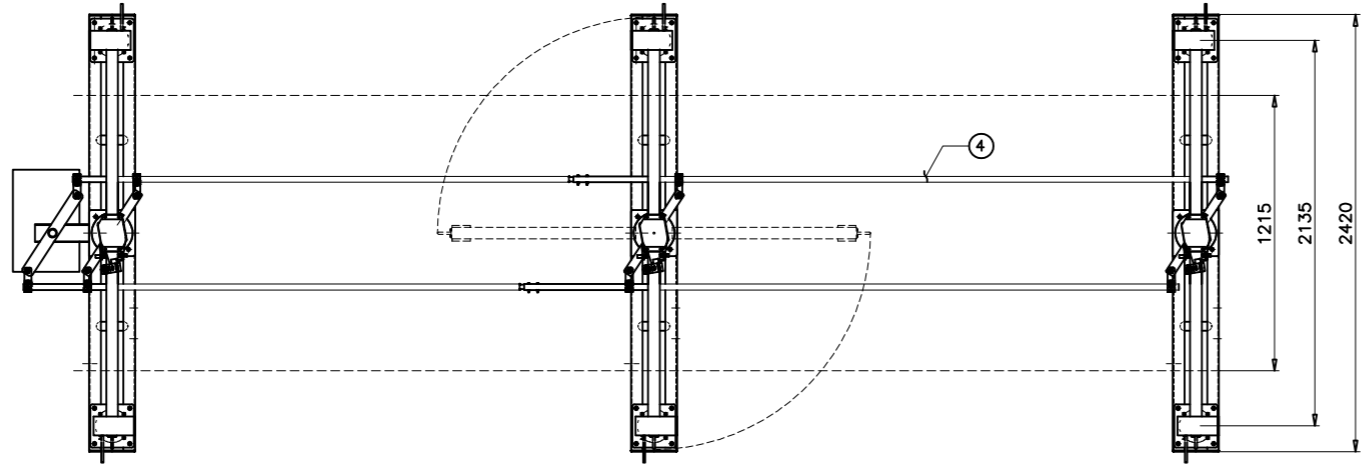
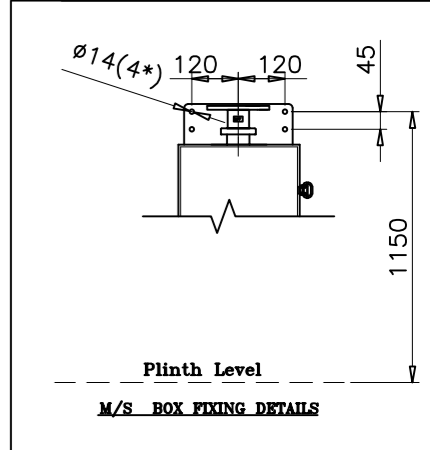
NOTE: 1. Drawings Approval subject to valid type test reports, to be checked during acceptance tests.
 2. For EPC contractors only.



ELEVATION

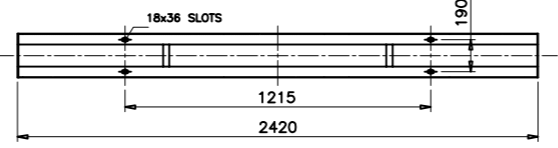


END VIEW



PLAN

Drawing approval subject to valid vendor registration



BASE CHANNEL FIXING DETAILS ON STRUCTURE

PT.	DESCRIPTION	QTY
10	TOP OPERATING MECHANISM	01
9	OPERATING MECHANISM BOX(MANUAL-HR)	01
8	OPERATING PIPE (50NB GI PIPE)	01
7	BASE CHANNEL(125X65X5MM THK)	03
6	ELEVATOR PLATE(10MM THK-MS HDG)	06
5	ROTATING STOOL POST(MS HDG)	03
4	TANDEM PIPE (32 NB GI PIPE)	02
3	INSULATOR STACK	09
2	MOVING CONTACT ASSLY	03
1	FIXED CONTACT ASSLY	06

PART LIST

CHIEF ENGINEER/PROJECTS
APTRANSCO/VS/VIJAYAWADA

NOTES

- ALL DIMENSIONS ARE IN 'mm'
- ALL FERROUS PARTS ARE HOT DIP GALVANIZED WITH 85 MICRONS.
- ALL NON-FERROUS CONTACT POINTS ARE SILVER PLATED. WITH 15 MICRONS.
- THE MAIN ROTATING POST HAS TWO NOS OF BEARING
- ALL GI PIPES ARE OF 'B' CLASS AS PER IS:1239
- MANUFACTURING TOLERANCES
 - i) UPTO 50mm-- ±3% ii) 51 to 100mm-- ±2%
 - iii) 101 to 300mm-- ±1% iv) ABOVE 300mm-- ±0.5%

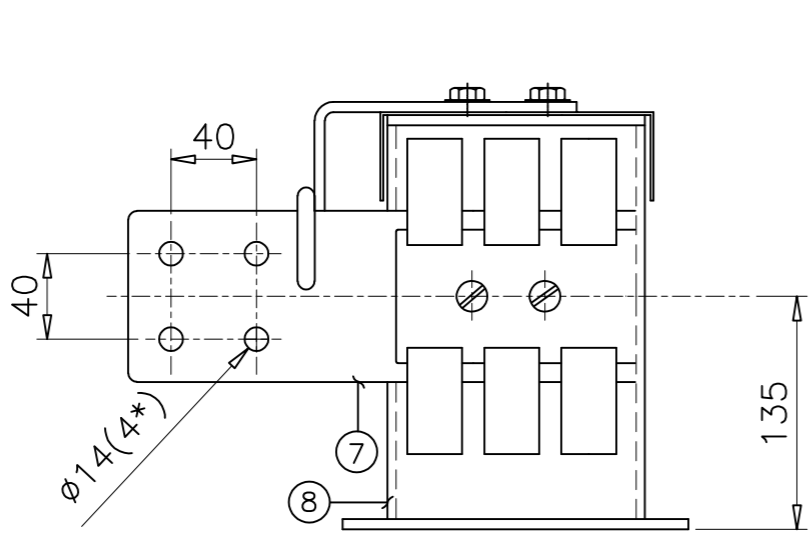
DRN	YVG	04.06.22	SWITCHGEAR MANUFACTURING COMPANY GANDRAJUPALLE, CHITTOOR DIST, A.P, INDIA.
CHKD	VK	04.06.22	
APPD	OJA	04.06.22	TITLE
DEPT	SIGN	DATE	145KV 1200A DBR DISCONNECTOR WITHOUT EARTH SWITCH
SC: NTS	Paper size	A3	DRG.NO. S T D - 1 4 5 0 0 1 4
			SHEET 1 OF 1
			REV. 0

107			
765			
REV	DATE	CHANGES MADE	SIG
REF. STANDARD	IEC:62271-102/IS:9921		
CONTROL VOLTAGE DC	V	220	
CROSS	kg	17.5	
TL STRAIGHT	kg	51	
ACROSS	kVp	315	
PF TO EARTH	kVp	275	
ACROSS	kVp	750	
TO EARTH	kVp	650	
STC PEAK	kAp	78.75	
FOR 1Sec	kA	31.5	
CURRENT	Amps	1200	
VOLTAGE	kV	145	
DESCRIPTION	UNIT	VALUE	
TECHNICAL DATA			

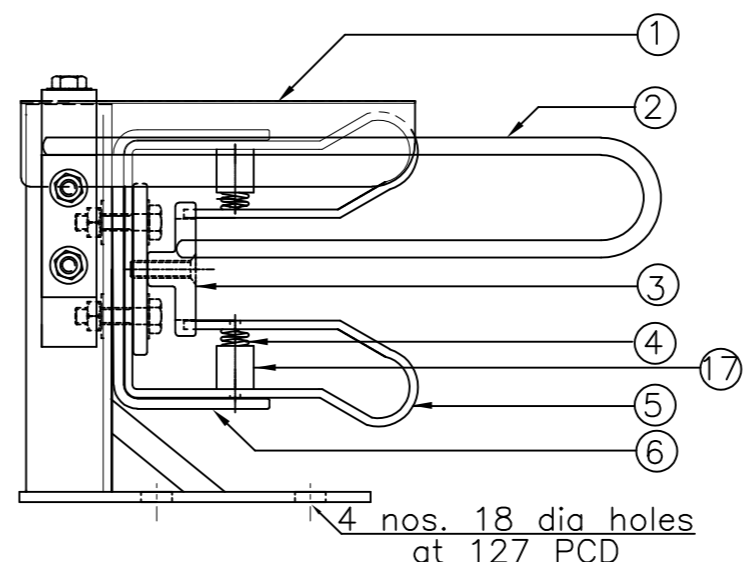
NOTE:- THIS COMPLETE SET OF DRAWINGS ARE REPRESENTATIVE OF THE LATEST TYPE TEST REPORT AND PROPRIETARY DESIGN, RESEARCH & DEVELOPMENT OF SWITCHGEAR MANUFACTURING COMPANY PVT. LTD. GANDRAJAPALLE. THE DESIGNS SHALL NOT BE REPRODUCED WITHOUT WRITTEN CONSENT OF SWITCHGEAR MANUFACTURING COMPANY PVT. LTD. GANDRAJAPALLE.

DETAILS OF FIXED CONTACT

NOTE: 1. Drawings Approval subject to valid type test reports, to be checked during acceptance tests.
 2. For EPC contractors only.

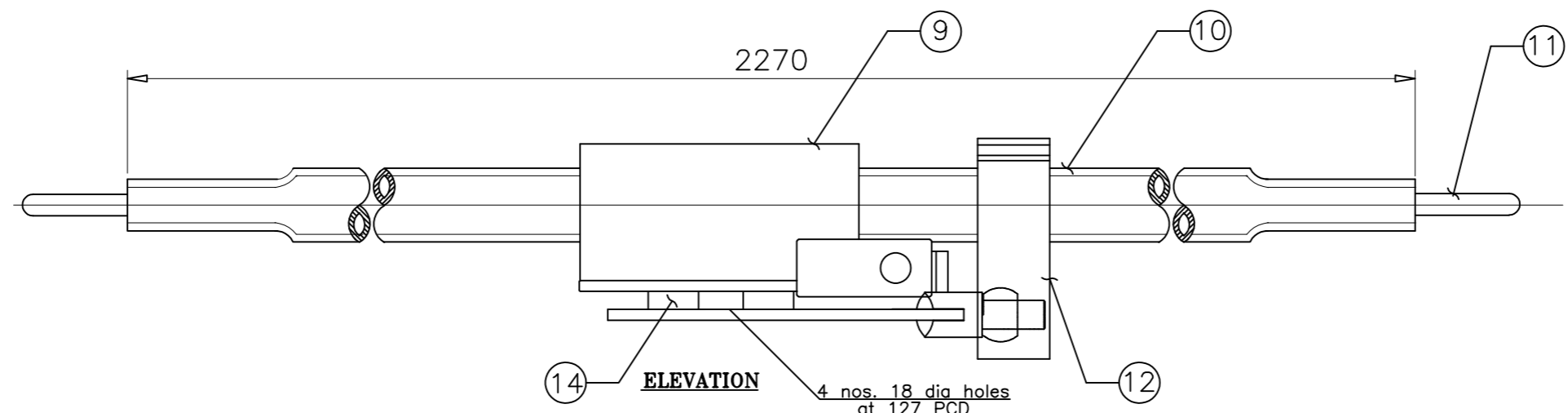


ELEVATION



END VIEW

DETAILS OF MOVING CONTACT



ELEVATION

NOTES

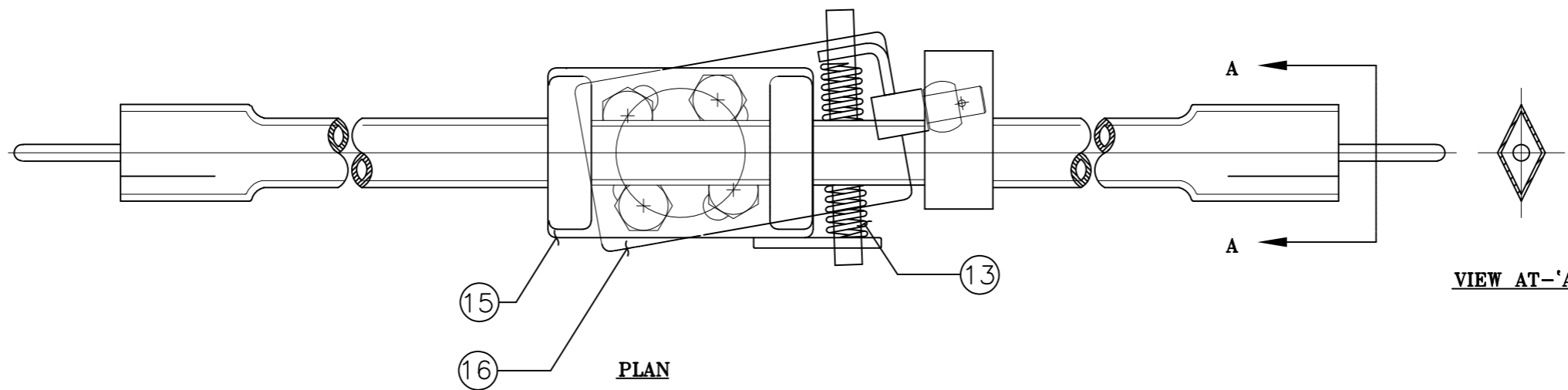
1. All dimensions are in 'mm'
2. All ferrous parts are hot-dip galvanized
3. All non-ferrous contact points are silver plated upto 15 microns
4. Tolerances
 - (i) Upto 50mm --- ±3%
 - (ii) 51 to 100 mm --- ±2%
 - (iii) 101 to 300mm --- ±1%
 - (iv) Above 300mm --- ±0.5%
5. Bolted area are Tin plated up to 10 microns to avoid bi-metallic reaction between Cu & Al

**CHIEF ENGINEER/PROJECTS
 APTRANSCO/VISVIJAYAWADA**

Drawing approval subject to valid vendor registration

PART LIST

1. FC rain hood (AL.)
2. FC Arcing horn (MS HDG)
3. Spacer (AL.)
4. FC spring (SS)
5. FC Jaw (3 Nos. 32x4 HDE Cu.flat)
6. Jaw back strip (MS HDG)
7. Jumper pad (100x12 Al. flat)
8. Supporting channel (MS HDG)
9. MC Rain Hood (AL.)
10. MC arm (50 OD 41 ID Cu. tube)
11. MC Arcing horn (MS HDG)
12. MC Clamp (MS HDG)
13. MC Spring (SS)
14. Spacer Bush (BRASS)
15. MC top plate (MS HDG)
16. MC bottom plate (MS HDG)
17. Bush (plastic)



PLAN

VIEW AT-'AA'

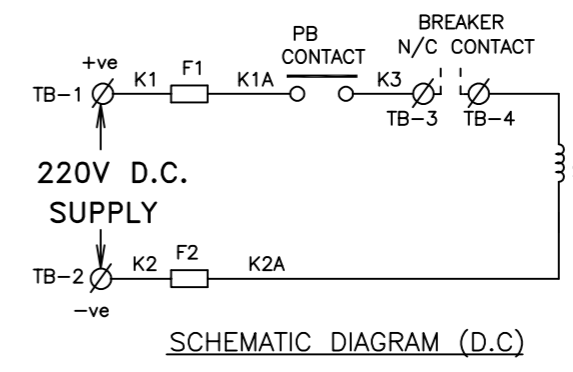
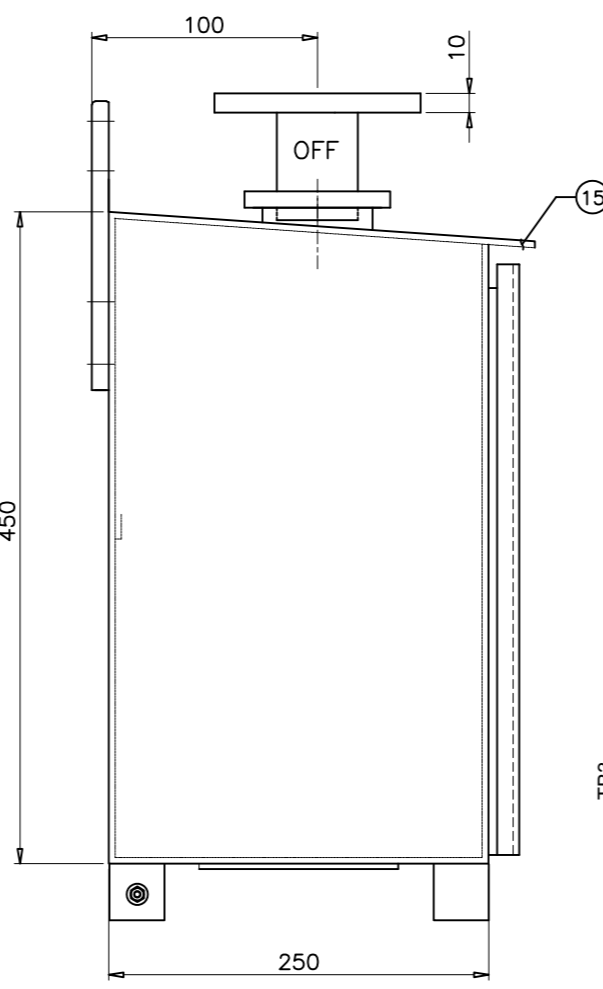
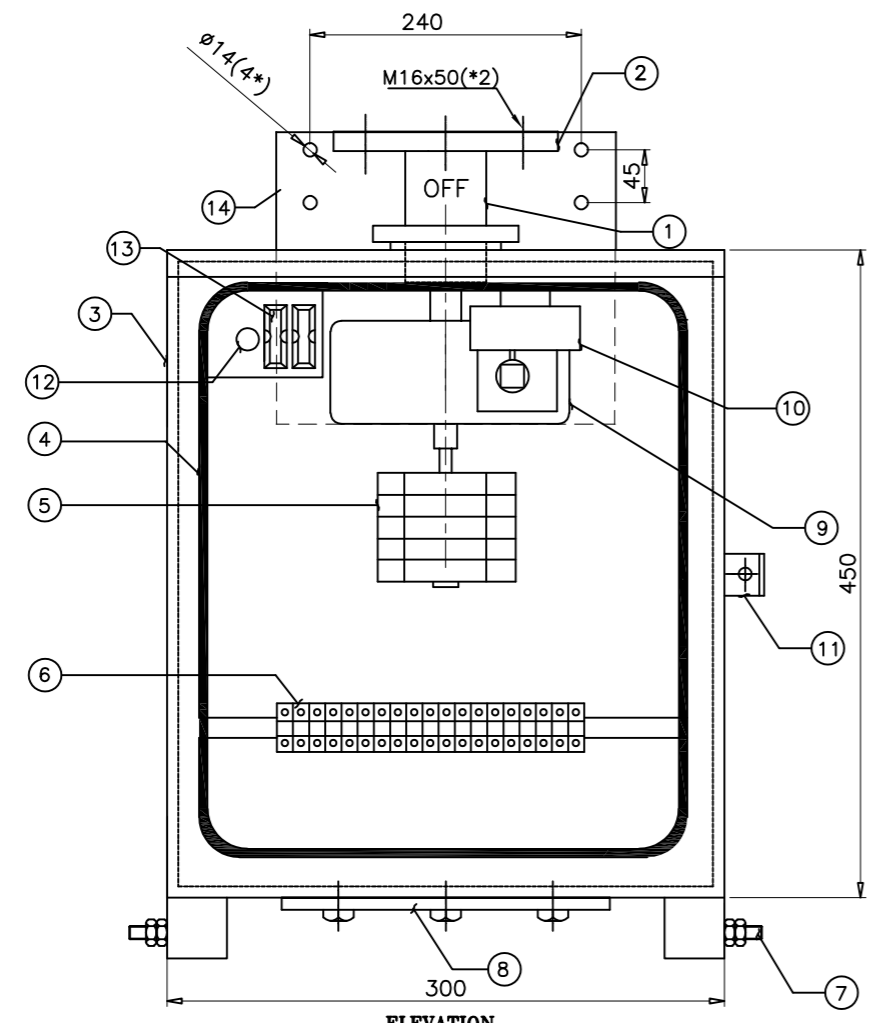
Sl.No.	Cross section	Area	Current Rating	Current Density (Amps/sq.mm)	DRN	YVG	DATE	SWITCHGEAR MANUFACTURING COMPANY GANDRAJUPALLE, CHITTOOR DIST, A.P, INDIA.
1	(FC JAWS) 32X4X(3X2)	768mm ²	1200A	1.56	CHKD	VK	04.06.22	
2	(MC ARM) 50 OD X 41 ID	642.91mm ²	1200A	1.86	APPD	OJA	04.06.22	
2	JUMPER PAD (100X12)	1200mm ²	1200A	1	DEPT	SIGN	DATE	TITLE MAIN CONTACT DETAILS (FOR 145KV 1200A DBR DISCONNECTOR)
					SC: NTS	Paper size	A3	DRG.NO. S T D - 1 4 5 0 0 1 5
							SHEET	REV.
							1 of 1	0

NOTE:- THIS COMPLETE SET OF DRAWINGS ARE REPRESENTATIVE OF THE LATEST TYPE TEST REPORT AND PROPRIETARY DESIGN, RESEARCH & DEVELOPMENT OF SWITCHGEAR MANUFACTURING COMPANY PVT. LTD. GANDRAJAPALLE. THE DESIGNS SHALL NOT BE REPRODUCED WITHOUT WRITTEN CONSENT OF SWITCHGEAR MANUFACTURING COMPANY PVT. LTD. GANDRAJAPALLE.

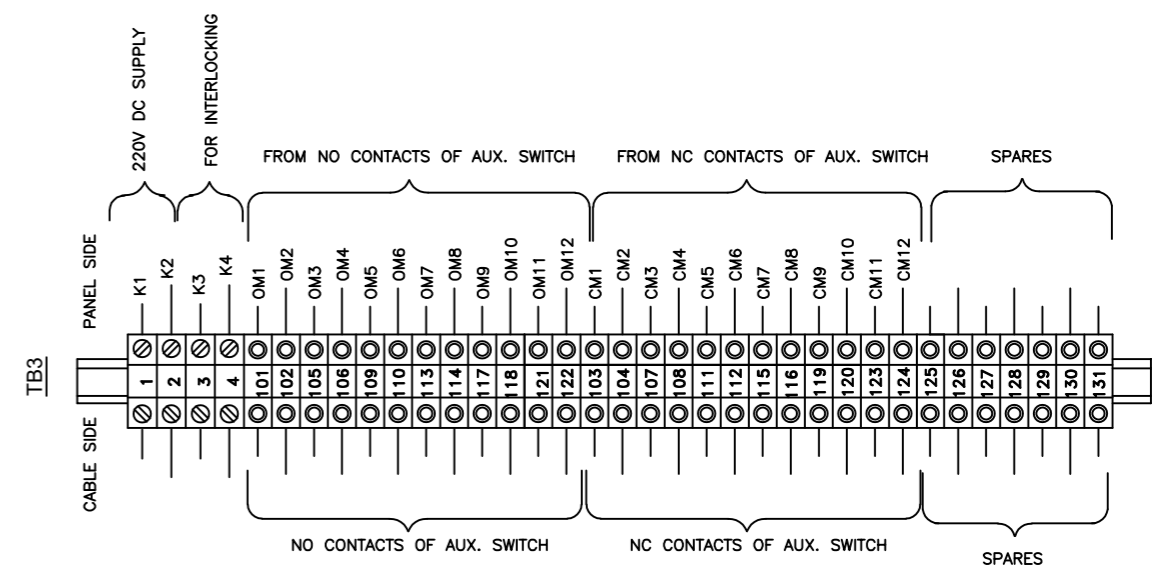
NOTE: 1. Drawings Approval subject to valid type test reports, to be checked during acceptance tests.
 2. For EPC contractors only.

1. Minimum 300mm plinth shall be maintained for CT/PT/CVT/Isolators/IV/LA/Breakers in the substation during foundation works to ensure safe live to ground clearance per IE rules.
 2. Since the supply of terminal connectors is not in the scope of manufacturer as mentioned in the drawings. The EPC contractor shall be instructed to supply the same line with CT/PT/CVT/Isolator/IVT/LA/Breaker's requirement and compatibility.

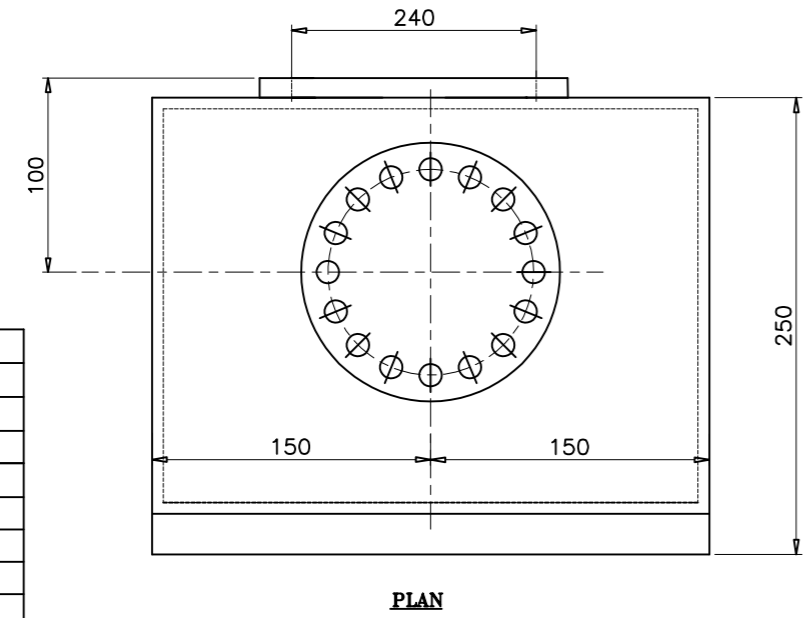
			109
			765
REV	DATE	CHANGES MADE	SIG



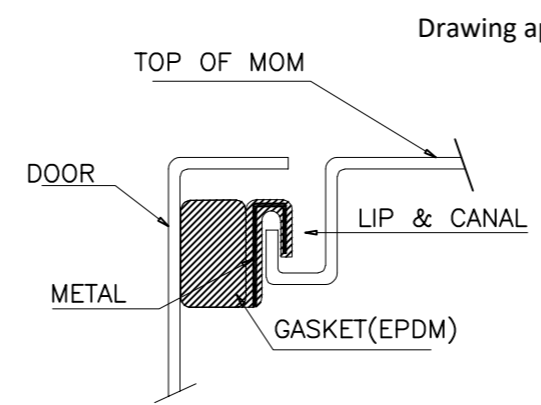
LEGEND
 F1, F2 : Fuses for control supply
 PB : Push button
 S.C. : Solenoid coil



AUX. SWITCH(6NO+6NC) TERMINAL BLOCK DETAILS

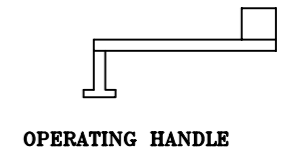


PLAN



SECTIONAL VIEW OF DOOR GASKET

Drawing approval subject to valid vendor registration



OPERATING HANDLE

15	RAIN CANOPY
14	FIXING BRACKET (MS HDG)
13	FUSES FOR CONTROL SUPPLY(5A)
12	PUSH BUTTON
11	PROVISION FOR PADLOCK
10	Solenoid Coil
9	REDUCTION GEAR
8	CABLE GLAND FIXING PLATE (W/O GLANDS)
7	EARTH TERMINAL(2 nos. M10 size)
6	TERMINAL BLOCK (CTS4UN)
5	AUXILIARY SWITCH
4	GASKET (EPDM RUBBER)
3	CUBICLE (3MM AL SHEET)
2	FLANGE (14 HOLES-10MM THK-MS HDG)
1	OPERATING SHAFT
PT.	DESCRIPTION
PART LIST	

NOTES

- All dimensions are in 'mm'
- Cubicle will be painted to the shade no. 631 IS:5
- Always keep the drive in upright position
- Degree of protection :IP55
- Net weight of the box-35 Kgs(approx)
- Tolerances as per GA drawing
- Internal wiring will be done with 2.5 sq.mm cu. stranded conductor & 20% spare terminals will be provided

CHIEF ENGINEER/PROJECTS
APTRANSCO/VS/VIJAYAWADA

DRN	YVG	04.06.22	SWITCHGEAR MANUFACTURING COMPANY GANDRAJAPALLE, CHITTOOR DIST, A.P, INDIA.
CHKD	VK	04.06.22	
APPD	OJA	04.06.22	TITLE
DEPT	SIGN	DATE	GENERAL ARRANGEMENT OF
			MANUAL OPERATING MECHANISM FOR DISCONNECTOR
SC: NTS	Paper size	A3	DRG.NO. S T D - 1 4 5 0 0 1 6
			SHEET 1 OF 1
			REV. 0

NOTE:- THIS COMPLETE SET OF DRAWINGS ARE REPRESENTATIVE OF THE LATEST TYPE TEST REPORT AND PROPRIETARY DESIGN, RESEARCH & DEVELOPMENT OF SWITCHGEAR MANUFACTURING COMPANY PVT. LTD. GANDRAJUPALLE. THE DESIGNS SHALL NOT BE REPRODUCED WITHOUT WRITTEN CONSENT OF SWITCHGEAR MANUFACTURING COMPANY PVT. LTD. GANDRAJUPALLE.

NOTE: 1. Drawings Approval subject to valid type test reports, to be checked during acceptance tests.
 2. For EPC contractors only.

1. Minimum 300mm plinth shall be maintained for CT/PT/CVT/Isolators/IV/LA/Breakers in the substation during foundation works to ensure safe live to ground clearance per IE rules.
 2. Since the supply of terminal connectors is not in the scope of manufacturer as mentioned in the drawings. The EPC contractor shall be instructed to supply the same line with CT/PT/CVT/Isolator/IVT/LA/Breaker's requirement and compatibility.

			110
			765
REV	DATE	CHANGES MADE	SIG

SWITCHGEAR MANUFACTURING COMPANY
 GANDRAJUPALLE, CHITTOR DIST, A.P., INDIA.

CUSTOMER TRANSMISSION CORPORATION OF ANDHRA PRADESH LIMITED

SL.No.	(*)	TYPE	DBR
VOLTAGE (kV)	145	CURRENT (Amps)	1200
STC (kA-sec-kAp)	31.5-1-78.75	IMPULSE (kVp)	650
DC VOLTAGE (V)	220	PF VOLTAGE (kV)	275
OPERATING DRIVE	MANUAL	FREQUENCY (Hz)	50
YEAR	(*)		

FOR DISCONNECTOR

CHIEF ENGINEER/PROJECTS
APTRANSCO/VS/VIJAYAWADA

(**) TO BE MARKED AT THE TIME OF MANUFACTURING

NOTE:

1. ALL DIMENSIONS ARE IN MM
2. MATERIAL : ALUMINIUM ALLOY
3. TOLERANCE AS PER GA DRAWING
4. LETTER ITCHED ON BLACK BACKGROUND

Drawing approval subject to valid vendor registration

DRN	YVG	04.06.22	SWITCHGEAR MANUFACTURING COMPANY GANDRAJUPALLE, CHITTOOR DIST, A.P., INDIA.
CHKD	VK	04.06.22	
APPD	OJA	04.06.22	TITLE NAME PLATE DETAILS FOR 145KV DBR DISCONNECTOR
DEPT	SIGN	DATE	
	SC: NTS	Paper size A3	DRG.NO. S T D - 1 4 5 0 0 1 7
			SHEET 1 of 1
			REV. 0

NOTE: 1. Drawings Approval subject to valid type test reports, to be checked during

7654792/2023/EEMRT-ENE51

SWITCHGEAR MANUFACTURING COMPANY PVT. LTD

2.For EPC contractors only.

CUSTOMER	:	TRANSMISSION CORPORATION OF ANDHRA PRADESH LIMITED
----------	---	--

GUARANTEED TECHNICAL PARTICULARS FOR 145kV DOUBLE BREAK DISCONNECTOR

SL. No	Description	Unit	Particulars
1.	Manufacturer's Name & Address of manufacture		Switchgear Manufacturing Company Pvt. Ltd, Gandrajupalle, Chittoor Dist
2.	Type Designation CHIEF ENGINEER/PROJECTS		Horizontal Double Break, DBR
3.	Applicable Standard APTRANSCO/VIS/VIJAYAWADA		IS: 9921 (Part I to V) / IEC: 62271-102
4.	Rated voltage	(kV)	145
5.	Rated Frequency	(Hz)	50
6.	Outdoor / Indoor		Outdoor
7.	Whether all three poles are ganged together mechanically / electrically		Mechanically ganged
8.	Rated normal current		
	a) Under normal condition as per IS/ IEC	(Amps)	1200Amps
	b) Under site conditions	(Amps)	1200
9.	Rated short time withstand current for 1 sec. for Isolator & Earth switch	(kA rms)	31.5
10.	Rated peak withstand short circuit current for Isolator & Earth switch	kAp	78.75
11.	Rated short circuit making current	KA	For No-load operated Isolator making current is not applicable. But shall carry peak short circuit current of 78.75kAp
12.	Rated Magnetizing current / Capacitive current make/break capacity at 0.15% p.f.	(Amp)	0.7 Amps at 0.15 Pf (Assigned value)
13.	Temperature rise over ambient temperature 50°C at site corresponding to		
	a) Maximum continuous current	(°C)	Within 55 °C
	b) Short time current	(°C)	
14.	Rated Insulation level		
	a) 1.2/50 microsecond lightning impulse withstand voltage (+ve or -ve polarity)		
	i) To earth	KV(peak)	± 650
	ii) Across the open Isolator	KV(peak)	
	- One terminal lightning Impulse		± 750
	- Opposite terminal power frequency		Not Applicable
	b) 250 / 2500 microsecond switching impulse withstand voltage		
	i) To earth	KV(peak)	Not Applicable
	ii) Across the open Isolator		
	- One terminal lightning Impulse	KV(peak)	Not Applicable
	- Opposite terminal power frequency	KV(peak)	Not Applicable
	c) One minute power frequency withstand voltage		
	i) To earth	KV (rms)	275
	ii) Across the terminals of open Isolator	KV (rms)	315
15.	Corona extinction voltage	KV (rms)	105
16.	Radio Interference voltage at 0.5 MHz and 2 MHz at 92 kV (rms)	(micro-volt)	500 mV at 92 kV (rms)

Drawing approval subject to valid vendor registration

7654792/2023/EEMRT-ENE51 acceptance tests.

SWITCHGEAR MANUFACTURING COMPANY PVT. LTD

2. For EPC contractors only.

CUSTOMER	:	TRANSMISSION CORPORATION OF ANDHRA PRADESH LIMITED
----------	---	--

17.	Rated mechanical terminal loads		
	a) Longitudinal (or straight)	N	500
	b) Transverse (or cross)	N	170
18.	Total operating time		
	a) Opening time	(Sec.)	12 sec. or less
	b) Closing time	(Sec.)	12 sec. or less
19.	Main contacts (Fixed and Moving) of Isolator		
	a) Type		Main switch: High Pressure, Reverse Loop, Pressure relieving Type with Turn & Twist Design
	b) Material		Hard Drawn Electrolytic copper (HDEC)
	c) Whether contacts silver plated		Yes (Contact surface)
	d) Thickness of silver coating	microns	15 microns
	e) Contact area	mm ²	Line Contact
	f) Contact pressure	(Kg/ mm ²)	4kg/cm ² per Finger
	g) Current density(at minimum cross section of switch blade)		
	(i) Moving blade (Cu)	A/mm ²	1.86
	(ii) Terminal pad (Al)	A/mm ²	1.0
	(iii) Contacts (Cu)	A/mm ²	1.56
	(iv) Terminal connectors (Al)	A/mm ²	1.0
	h) No. of operations which the Isolator can make without deterioration of contacts	Nos.	1000 (min)
20.	AUXILIARY CONTACTS		
	a) MAIN ISOLATOR		
	(i) Total number of 'NO'(for Purchaser's use)	Nos.	6
	(ii) Total number of 'NC'(for Purchaser's use)	Nos.	6
	(iii) Rated voltage	(Volts)	220V DC
	(iv) Rated continuous current	(Amps)	10A
	(v) Rated breaking current	(Amps)	2A DC
	b) EARTH SWITCH		
	(i) Total number of 'NO'(for Purchaser's use)	Nos.	3
	(ii) Total number of 'NC'(for Purchaser's use)	Nos.	3
	(iii) Rated voltage	(Volts)	220V DC
	(iv) Rated continuous current	(Amps)	10A
	(v) Rated breaking current	(Amps)	2A DC
	c) Whether arcing contacts provided, and if so, and material used		Yes, M.S. Rod Hot-dip Galvanized
21.	Minimum clearance in air:		
	a) Phase to Phase clearance	mm	3000 (Center to Center)
	b) Phase to Ground clearance	mm	1500(Equal to the height of insulator selected)
	c) Between phases when isolator is open:	mm	2135(Center to Center)
22.	Bearings		
	a) Types of bearings		Deep Groove ball bearing
	b) Locations of bearings		Below the rotating post insulator
	c) Type of lubricant for bearings		Heavy Duty Grease

CHIEF ENGINEER/PROJECTS
APTRANSCO/VISVIJAYAWADA

7654792/2023/EEMRT-ENE51

2.For EPC contractors only.

SWITCHGEAR MANUFACTURING COMPANY PVT. LTD

CUSTOMER	:	TRANSMISSION CORPORATION OF ANDHRA PRADESH LIMITED
-----------------	----------	---

23.	Terminal Clamp & Connectors		
	a) Manufacturer's Name		Not in scope of Switchgear Manufacturing Company
	b) Applicable standard		
	c) Material		
	i. Clamp body		
	ii. Bolts & nuts		
	iii. Spring washers		
	d) Rated current	Amp	
	e) Rated terminal load	Kg.	
	f) Weight of clamp complete with hard ware	Kg.	
	g) Radio interference voltage	(micro-volts)	
	h) Corona extinction voltage	kV	
	i) Maximum allowable span for Aluminium Tube with outer diameter of 114.2 mm and inside diameter of 97.18 mm on equipment terminal and with rated fault current and 7 m & 4.5 m phase to phase spacing		
24.	Operating Mechanism		
	a) Name & address of manufacturer		Switchgear Manufacturing Company Pvt. Ltd, Gandrajupalle, Chittoor Dist
	b) Type of operating mechanism		Main switch: Manual (with reduction gear)
	c) Whether separate operating mechanism provided for operation of Isolator pole		Yes
	d) Electrical operation.		
	i) Motor type (AC / DC)		Not Applicable
	ii) Applicable standard		Not Applicable
	iii) Rated - voltage and current, HP		Not Applicable
	iv) Type of enclosure and method of cooling		Not Applicable
	v) Power required for closing and opening operation	Watts	Not Applicable
	vi) Running time for motor for closing and opening operation	(sec.)	Not Applicable
	vii) Control supply for motor (volt), power, consumption	Volt, Amp	Not Applicable
	e) Type of manual operating mechanism for Isolator pole		Main switch: Reduction gear for smoothly controlled movement during the entire operation cycle.
	f) Force required to operate		25 Kg-m.
	g) Whether padlocking are included as per the specification		Provision is made
	h) Type of manual device		Torsional
	i) Weight of operating mechanism	kg	30 (Approx)

Drawing approval subject to valid vendor registration

CHIEF ENGINEER/PROJECTS
APTRANSCO/VS/VIJAYAWADA

NOTE: 1. Drawings Approval subject to valid type test reports, to be checked during

7654792/2023/EEMRT-ENE51

SWITCHGEAR MANUFACTURING COMPANY PVT. LTD

2.For EPC contractors only.

CUSTOMER	:	TRANSMISSION CORPORATION OF ANDHRA PRADESH LIMITED
----------	---	--

25.	Type of interlocking between isolator and earthing switch		Not Applicable
	a) Resistance of operating and Interlock coils	kΩ	2
	b) Details of following interlocks provided as per specification		
	i) Mechanical interlock between Isolator and earth switch		Not Applicable
	ii) Electrical interlock for Isolator and earth switch		Not Applicable
	iii) Electrical interlocking in association with circuit breaker		Yes
	iv) Electrical interlock to bring back all three poles to open position in case any pole fails to close within specified time.		Not Applicable
	v) Provisions to cut-off supply to the motor during manual operation and provision for de-coupling the motor.		Not Applicable
	vi) Electrical scheme to provide remote alarm for pole discrepancy		Not Applicable
	vii) Arrangement provided to prevent electrical or manual operation unless interlock is satisfied.		Yes
26.	A. Tandem Pipe		
	a) Size		32 NB
	b) Class		Class 'B'
	c) Material		G.I. Pipe
	d) Applicable Standard		IS: 1239 (Part I), 1990 & IS: 4736, 1986
	e) Weight of Zinc	(gm/sq.m)	360
	B. Down Pipe		
	a) Size (Internal / External dia)	(mm)	50 NB
	b) Class		Class 'B'
	c) Material		G.I. Pipe
	d) Applicable Standard		IS: 1239 (Part I), 1990 & IS: 4736, 1986
	e) Weight of Zinc	(gm/sq.m)	360
27.	Size and Weight		
	a) Weight of each pole (without Insulators)	Kgs. (Approx.)	Please refer GA drawing
	b) Space requirement i.e. length		
	c) Dimensions		
	(i) 3 Phase Isolator		
	(ii) Isolator -cum-Earthing Switch (mm x mm x mm)	mm	
	d) Size of largest part		
28.	Insulators		Not in scope of Switchgear Manufacturing Company

For Switchgear Manufacturing Company Pvt. Ltd



Authorized Signatory

Drawing approval subject to valid vendor registration

1. Minimum 300mm plinth shall be maintained for CT/PT/CVT/Isolators/IV/LA/Breakers in the substation during foundation works to ensure safe live to ground clearance per IE rules.
2. Since the supply of terminal connectors is not in the scope of manufacturer as mentioned in the drawings. The EPC contractor shall be instructed to supply the same line with CT/PT/CVT/Isolator/IVT/LA/Breaker's requirement and compatibility.