

NOTE:-1. Drawings approval subject to valid type test reports,
to be checked during acceptance tests.

7215519/2023/EEMRT-ENE51



GR POWER SWITHGEAR LIMITED
PLOT NO:27/B IDA JEEDIMETLA
HYDERABAD

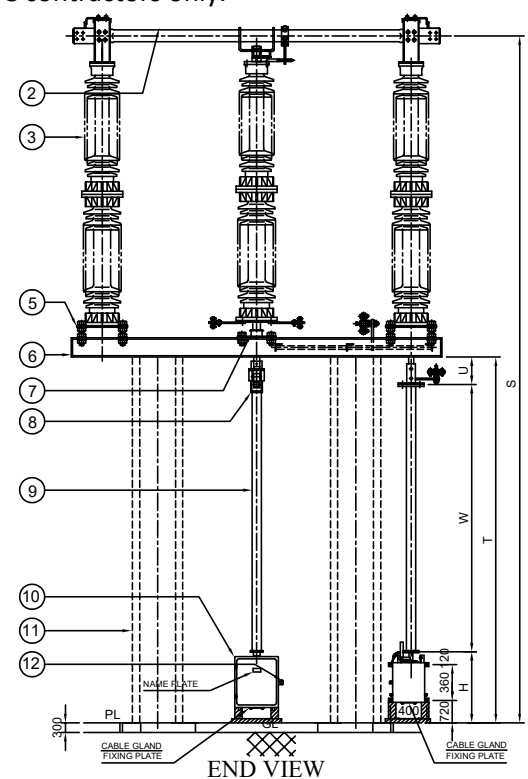
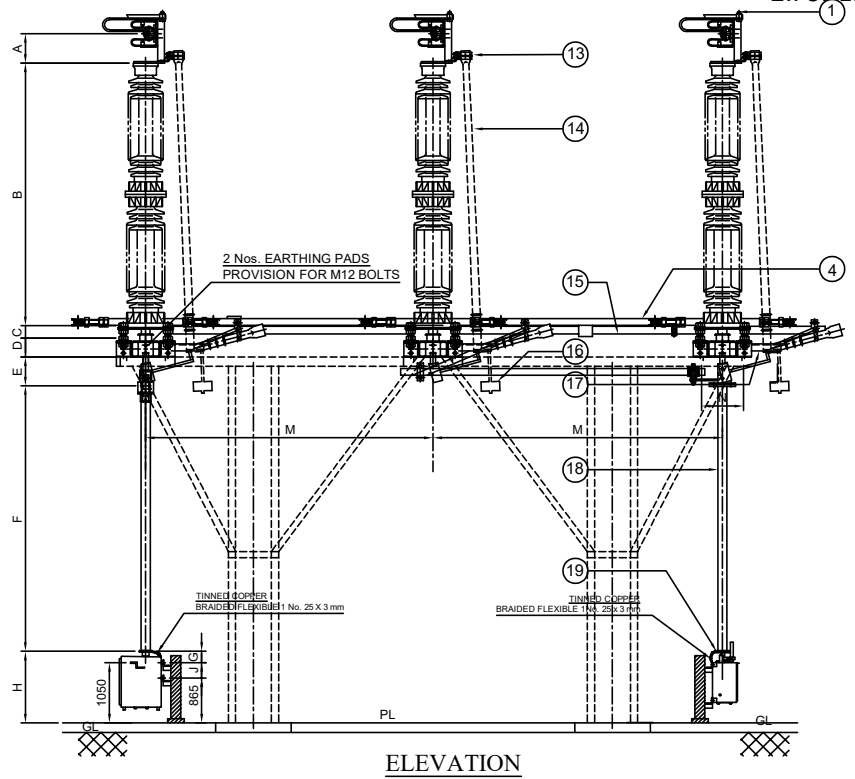
2.For EPC contractors only.

LIST OF 220 KV STD ISOLATOR DRAWINGS/DOCUMENTS

CUSTOMER :	SLNO.	DRG.NO.	REV	DESCRIPTION OF DRAWINGS/DOCUMENTS
M/s TRANSMISSION CORPORATION OF ANDHRA PRADESH LIMITED	1	3. GR APT 01	0	220 KV , 1200 AMPS,TP,DB,RT,ISOLATOR WITH ONE E. S
	2	4. GRM APT 02	0	MAIN SWITCH CONTACT ASSEMBLY (1200 A)
	3	4. GRE APT 03	0	EARTH SWITCH CONTACT ASSEMBLY
	4	4. GM APT 04	0	MOTOR OPERATING MECHANISM FOR 220 KV ISOLATOR
	5	4. GM APT 05	0	SECHMATIC DIAGRAM DETAILS FOR 220 KV M/S.
	6	4. GN APT 06	0	MANUAL OPERATING MECHANISM FOR 220 KV E.S.
Drawing approval subject to valid vendor registration	7	4. GZ APT 07	0	NAME PLATE DETAILS FOR 220 KV
	8	4. GZ APT 08	0	MECHANICAL INTERLOCK BETWEEN M/S & E/S FOR 220 KV

CHIEF ENGINEER/PROJECTS
APTRANSCO/VS/Vijayawada

PREPARED BY	CHECKED BY	APPROVED BY



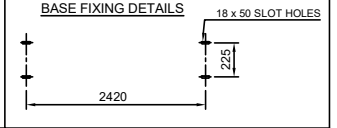
- PART LIST:**
1. FIXED CONTACT ASSEMBLY
 2. MOVING CONTACT ASSEMBLY
 3. INSULATOR STACK (NOT IN OUR SCOPE OF SUPPLY)
 4. TANDEM PIPE (32 NB, G.I. PIPE)
 5. ELEVATOR PLATE (12 mm THICK)
 6. BASE CHANNEL (150 x 75 x 5 mm THICK MS CHANNEL)
 7. ROTATING SHAFT WITH LEVER ARM & CLAMP (M.S. HOT DIP GALVANIZED)
 8. UNIVERSAL JOINT ARRANGEMENT
 9. DOWN OPERATING PIPE (50 NB, G.I. PIPE)
 10. OPERATING MECHANISM FOR M.S. (MOTOR)
 11. SUPPORTING STRUCTURE (NOT IN OUR SCOPE OF SUPPLY)
 12. PROVISION FOR PADLOCK
 13. E.S. FIXED CONTACT ASSEMBLY
 14. E.S. MOVING CONTACT ASSEMBLY
 15. E.S. TANDEM PIPE (32 NB, G.I. PIPE)
 16. COUNTER WEIGHT
 17. TOP OPERATING MECHANISM FOR E.S.
 18. E.S. DOWN OPERATING PIPE (50 NB, G.I. PIPE)
 19. OPERATING MECHANISM FOR E.S. (MANUAL)
 20. MECHANICAL INTERLOCK BETWEEN M.S. & E.S.
 21. AUX. TANDEM PIPE (32 NB G.I. PIPE)

- REFERENCE DRAWINGS:**
- FOR ISOLATOR CONTACT DETAILS (1200A) ----- 4. GRM APT 02
 - FOR EARTH SWITCH CONTACT DETAILS ----- 4. GRE APT 03
 - FOR OPERATING MECHANISM DETAILS (M.S.) ----- 4. GM APT 04
 - FOR SCHEMATIC DIAGRAM DETAILS (M.S.) ----- 4. GM APT 05
 - FOR OPERATING MECHANISM DETAILS (E.S.) ----- 4. GM APT 06
 - FOR NAME PLATED DETAILS ----- 4. GZ APT 07
 - FOR MECHANICAL INTERLOCK DETAILS ----- 4. GZ APT 08

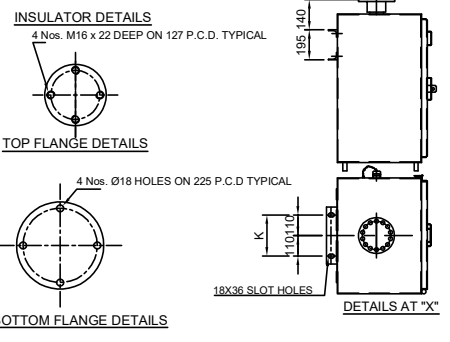
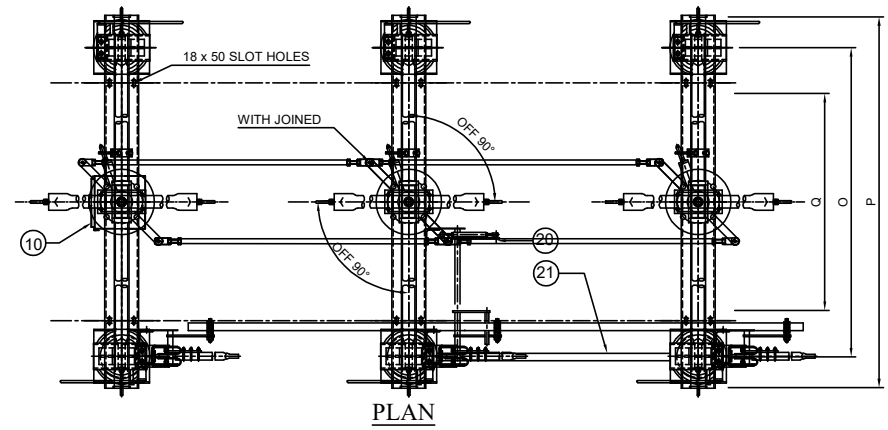
Thickness of Silver plating : 15 Microns Minimum

- NOTES:**
1. ALL DIMENSIONS ARE IN MILLIMETERS
 2. ALL FERROUS PARTS ARE HOT DIP GALVANIZED (87 MICRONS)
 3. ALL NON-FERROUS CONTACT POINTS ARE SILVER PLATED (25 MICRONS)
 4. THE INDICATED DIMENSIONS ARE SUBJECT TO THE MANUFACTURING TOLERANCE:
UP TO 50 mm ---±3%; 51 TO 100 mm ---±2%;
101 TO 300 mm ---±1%; ABOVE 300 mm ---±0.5%;
 5. SHORT TIME CURRENT RATING 40 KA rms. FOR 3 Sec.
 6. APPLICABLE STANDARD : IS/IEC 62271 - 102
 7. ROTATING STOOL BASE HAVING 2 Nos. SEALED BALL BEARINGS OF ADEQUATE SIZE
 8. INSULATOR BOTTOM 225 P.C.D. AND TOP 127 P.C.D.
 09. SUPPORT STRUCTURE & INSULATORS INCLUDING FIXING HARDWARE NOT IN OUR SCOPE OF SUPPLY

- ELECTRICAL PARAMETERS**
1. NOMINAL SYSTEM VOLTAGE : 220 kV
 2. HIGHEST SYSTEM VOLTAGE : 245 kV
 3. P.F. WITHSTAND VOLTAGE : 460 kV rms
 4. IMPULSE WITHSTAND VOLTAGE : 1050 kV PEAK



WEIGHT:
NET WEIGHT OF THE ISOLATOR MATERIALS EXCLUDING INSULATOR : 950 Kg . (Approx.)



Drawing approval subject to valid vendor registration

CHIEF ENGINEER/PROJECTS
APTRANSCO/VS/Vijayawada

REVISIONS				
D	C	B	A	

TITLE:
**G.A. OF 220 kV, 1200 A,
TP, HDB, RT, ISOLATOR WITH ONE E.S.**

SCALE: N.T.S

DATE: 21-03-2023

DRAWN: [Signature]

CHECKED: [Signature]

APPROVED: [Signature]

DRG.NO: 3. GR APT 01

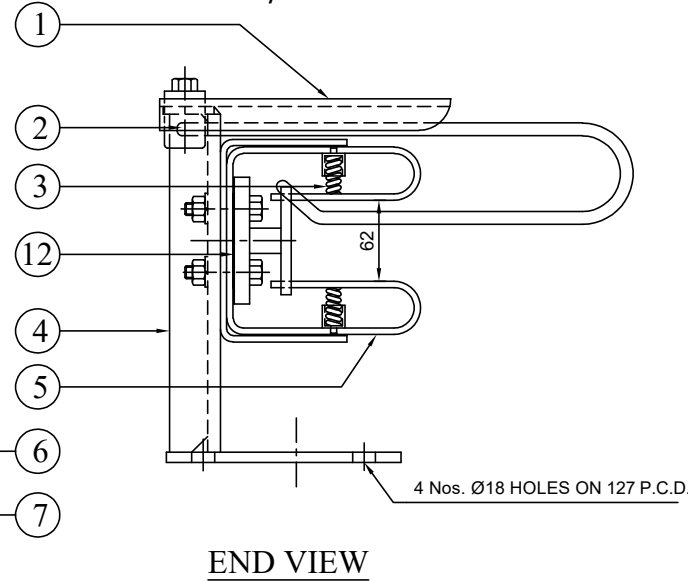
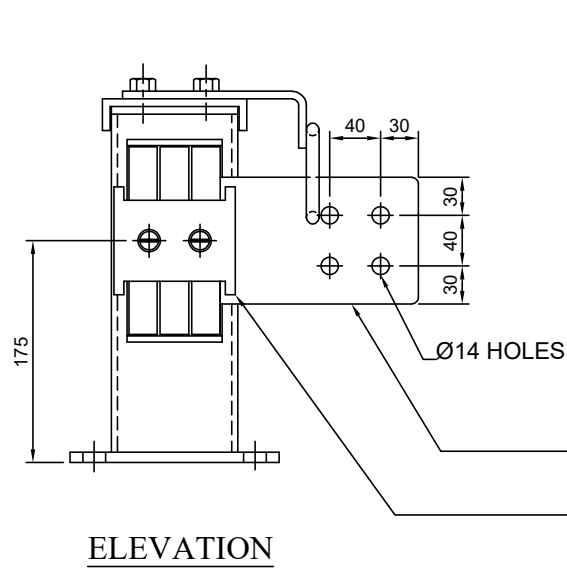
REV

DIMENSIOSNS

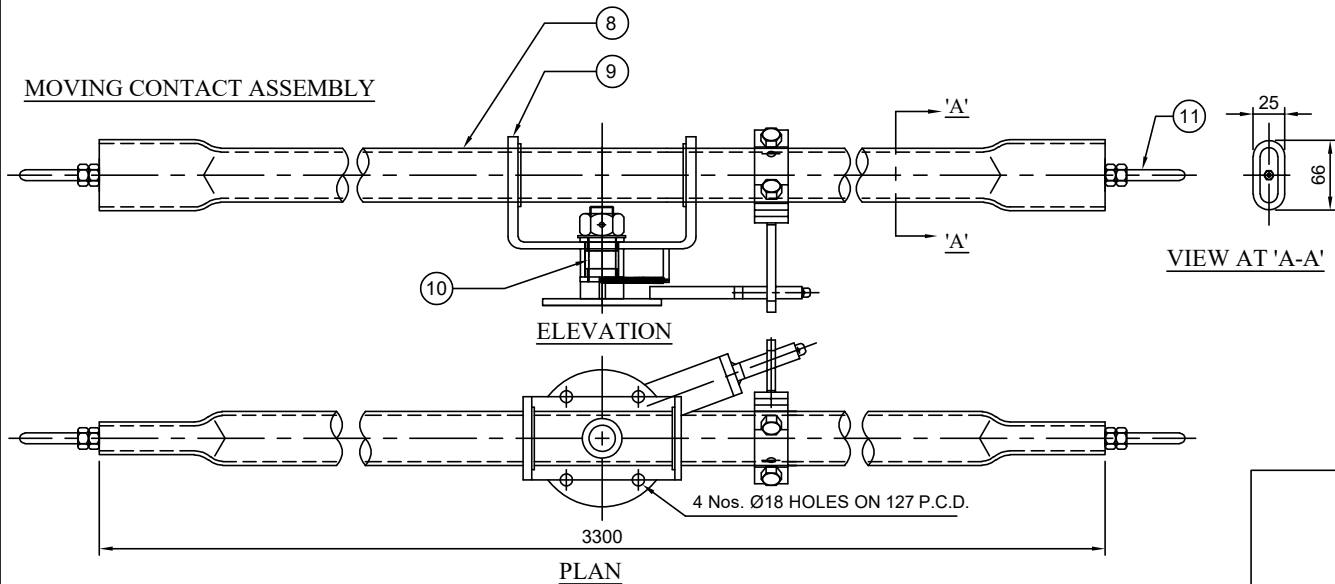
A	B	C	D	E	F	G	H	I	J	K	L	M	N	O	P	Q	R	S	T	U	V	W	X
175	2300	75	150	205	1395	140	1200	NA	195	220	NA	4500	225	3200	2420	NA	5500	2800	175	NA	1425	NA	

FIXED CONTACT ASSEMBLY:

NOTE:-1. Drawings approval subject to valid type test reports, to be checked during acceptance tests.
2. For EPC contractors only.



MOVING CONTACT ASSEMBLY



- Minimum 300mm plinth shall be maintained for CT/PT/CVT/ Isolators/IVT in the substation during foundation works to ensure safe live to ground clearance as per IE rules.
- Since the supply of terminal connectors is not in the scope of manufacturers as mentioned in the drawings. The EPC contractors shall be instructed to supply the same in line with CT/PT/CVT/Isolator /IVTs requirement and capatibility.

PART LIST:

1. HOOD (18 SWG M.S. HDG)	06 Nos
2. ARCING HORNS (Ø10 ROD M.S. HDG)	06 Nos
3. SPRINGS (Ø2 mm STAINLESS STEEL.)	36 Nos
4. SUPPORTING CHANNEL (115 x 40 mm M.S. HDG)	06 Nos
5. JAWS (32 x 4 HDEC STRIP 3 Nos. SILVER PLATED)	18 Nos
6. JUMPER PLATE (100 x 12 ALU. FLAT)	06 Nos
7. SPACER (ALUMINUM)	06 Nos
8. MOVING CONTACT ARM (50 OD x 41 ID CU. TUBE)	03 Nos
9. MC SUPPORT WITH NYLON BUSH	06 Nos
10. CENTER MECHANISM (M.S. HDG, TURN & TWIST MECHANISM)	03 Nos
11. ARCING HORN FOR MOVING CONTACT(Ø10 ROD M.S. HDG)	06 Nos
12. BI-METALLIC SHEET (2 mm THICK Alu. + Cu.)	06 Nos

NOTE:

- ALL DIMENSIONS ARE IN MILLIMETER
- ALL FERROUS PARTS ARE HOT DIP GALVANIZED
- ALL NON-FERROUS CONTACT POINTS ARE SILVER PLATED 15 MICRONS REMAINING CONTACT AREA TIN PLATED.
- THE MOVING CONTACT ASSEMBLY SHOWN FOR TURN & TWIST ASSEMBLY

Drawing approval subject to valid vendor registration

CHIEF ENGINEER/PROJECTS
APTRANSCO/VS/Vijayawada

REVISIONS

D	C	B	A

TITLE:

MAIN SWITCH CONTACT ASSEMBLY
(FOR 220 kV 1200 Amps)

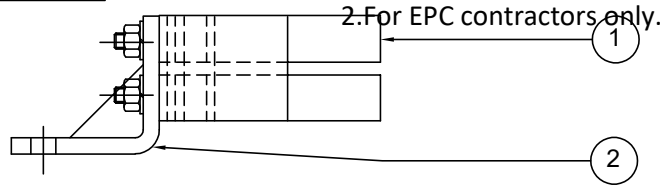


GR POWER SWITCHGEAR LTD.,
JEEDIMETLA HYDERABAD-500 055 INDIA

SCALE:N.T.S	
DATE	21-03-2023
DRAWN	
CHECKED	
APPROVED	

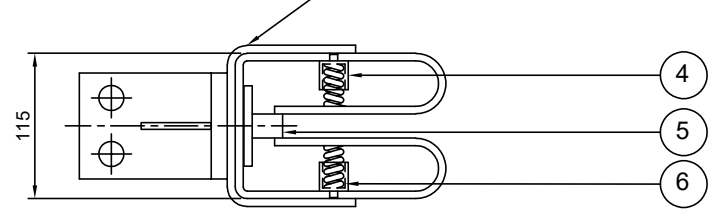
DRG.NO:	REV
4. GRM APT 02	

FIXED CONTACT ASSEMBLY:



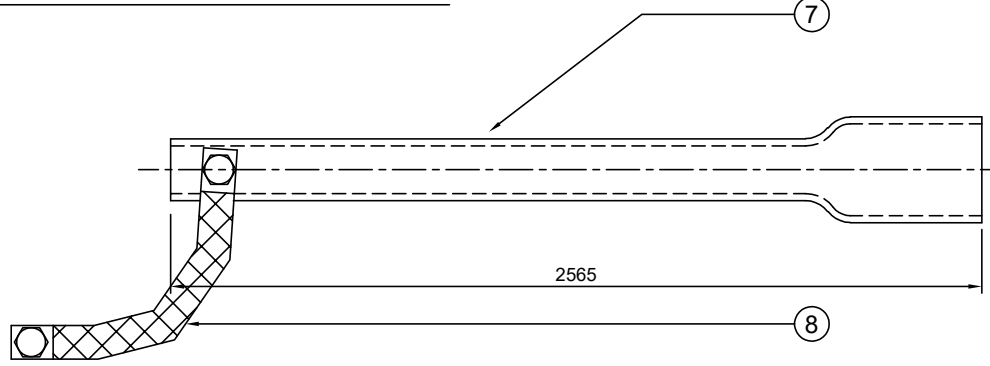
ELEVATION

1. Minimum 300mm plinth shall be maintained for CT/PT/CVT/ Isolators/IVT in the substation during foundation works to ensure safe live to ground clearance as per IE rules.
2. Since the supply of terminal connectors is not in the scope of manufacturers as mentioned in the drawings. The EPC contractors shall be instructed to supply the same in line with CT/PT/CVT/Isolator /IVTs requirement and capatibility.



PLAN

MOVING CONTACT ASSEMBLY:



Drawing approval subject to valid vendor registration


NOTE:-1. Drawings approval subject to valid type test reports, to be checked during acceptance tests.

2. For EPC contractors only.

PART LIST:

1. JAWS (2 Nos. 32 x 4 mm, Cu. FLAT SILVER PLATED)
2. F.C. SUPPORT PLATE (M.S. HDG)
3. JAW BRACKET (M.S. HDG)
4. SPRING HOLDER BUSH (NYLON)
5. SPACER (AL)
6. SPRINGS (14 SWG S.S. WIRE)
7. MOVING CONTACT ARM (38 OD x 30 ID CU. PIPE)
8. COPPER FLEXIBLE (25 x 4 mm, 4 Nos)

NOTE:


1. ALL DIMENSIONS ARE IN MILLIMETER
 2. ALL FERROUS PARTS ARE HOT DIP GALVANIZED
 3. ALL NON FERROUS CONTACT POINTS ARE SILVER PLATED
-  MICRONS REMAINING CONTACT AREA TIN PLATED

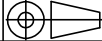
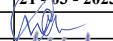

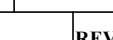
Thickness of Silver plating : 15 Microns Minimum

CHIEF ENGINEER/PROJECTS
APTRANSCO/VS/Vijayawada

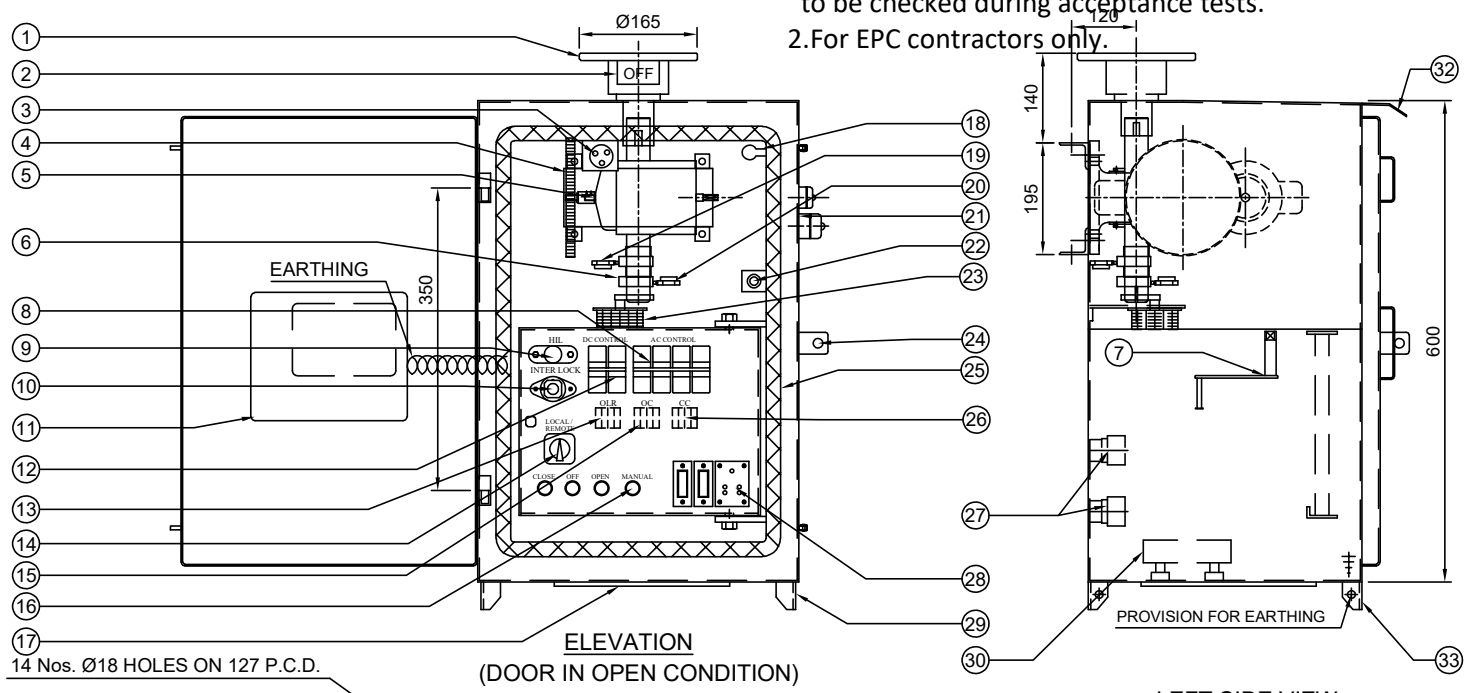
REVISIONS			
D	C	B	A

TITLE:
EARTH SWITCH CONTACT ASSEMBLY
(FOR 220 kV EARTH SWITCH)

 **GR POWER SWITCHGEAR LTD.,**
JEEDIMETLA HYDERABAD-500 055 INDIA

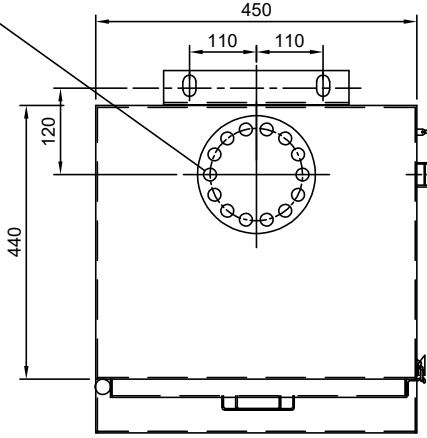
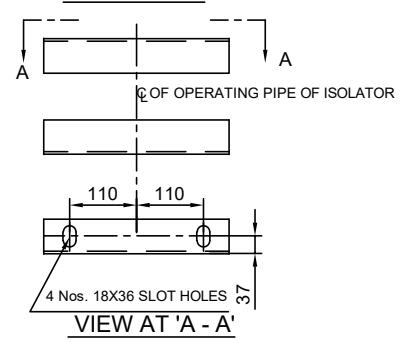
SCALE: N.T.S	
DATE	21 - 03 - 2023
DRAWN	
CHECKED	
APPROVED	
DRG.NO:	REV
4. GRE APT 03	

NOTE: 1. Drawings approval subject to valid vendor registration, to be checked during acceptance tests.
 2. For EPC contractors only.

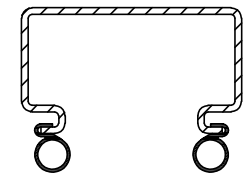


- PART LIST:**
- OUTPUT FLANGE (8 mm THICK, 14 HOLES)
 - ON/OFF INDICATOR
 - THERMOSTAT (30 TO 85°C RECOMMENDED SETTING 40°)
 - GEAR BOX (SPUR / WORM & WORM SHAFT, RATIO 1 : 630)
(MATERIAL : EN8 / FORGED STEEL)
 - MOTOR (Ø3, 415 Volts, 0.5 HP MOTOR)
 - LIMIT SWITCH OPERATING CAM
 - OPERATING HANDLE FIXED TO DOOR
 - AC CONTROL SWITCH (4 POLE MCB) S1
 - PUSH CAP (FOR HIL)
 - HANDLE INTERLOCK (HIL)
 - SCHEMATIC DIAGRAM PLATE
 - DC CONTROL SWITCH (2 POLE MCB) S2
 - OVER LOAD RELAY CUM SINGLE PHASE PREVENTOR (OLR)
 - LOCAL/REMOTE SWITCH (S3)
 - OPENING CONTACTOR (OC)
 - OPEN / CLOSE / MANUAL / OFF PUSH BUTTON (PBO / PBC / PBH / EPB)
 - DETACHABLE CABLE GLANDS FIXING PLATE (WITH OUT GLANDS)
 - CUBICLE LAMP HOLDER
 - LIMIT SWITCH (LSO)
 - LIMIT SWITCH (LSC)
 - CUBICLE WITH DOOR (3 mm THICK ALU SHEET)
 - DOOR OPERATED LIGHT SWITCH (LS)
 - AUX. SWITCH (12 NO + 12 NC)
 - PROVISION FOR PAD LOCK
 - RUBBER GASKET (EPDM)
 - CLOSING CONTACTOR (CC)
 - TERMINAL BLOCK (UBT - 4 TYPE OF ELMEX OR ITS EQUIVALENT)
 - HEATER / POWER SOCKET SWITCHES (HS,PSS)
 - BOX SUPPORT
 - HEATER, 80 WATTS, 240 V
 - MANUAL OPERATING CAP / COVER
 - RAIN SHADE
 - PROVISION FOR EARTHING TERMINALS

FIXING DETAILS FOR SUPPORTING STRUCTURE

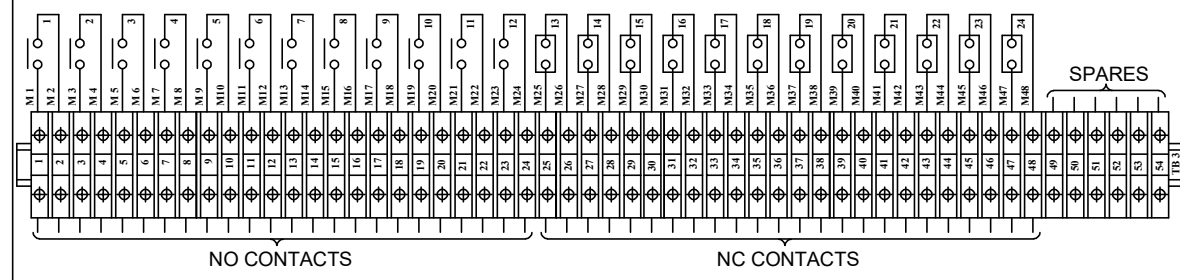


GASKET DETAILS



- NOTE :**
- ALL DIMENSIONS ARE IN MILLIMETERS
 - CUBICLE WILL BE NATURAL ALUMINIUM FINISH FOR INSIDE AND OUTSIDE.
 - DEGREE OF PROTECTION IP:55 AS PER IS/IEC 60529
 - 20% SPARE TERMINALS WILL BE PROVIDED
 - WIRING WILL BE DONE WITH 1100 V. GRADE
 - FOR POWER CIRCUIT (AC SUPPLY) : 2.5 Sq.MM Cu. STRANDED
 - FOR AUXILIARY CIRCUIT (DC SUPPLY) : 2.5 Sq.MM Cu. STRANDED P.V.C. INSULATED CONDUCTOR
 - WEIGHT OF THE BOX : 80 Kg (Approx.)
 - LUBRICATION OF GEARS : NON HARDENED GREASE FILLED GEAR BOX

AUX. SWITCH CONTACT DETAILS FOR ISOLATOR (12 NO / 12 NC)



Drawing approval subject to valid vendor registration

CHIEF ENGINEER/PROJECTS
APTRANSCO/VS/Vijayawada

REVISIONS			
D	C	B	A

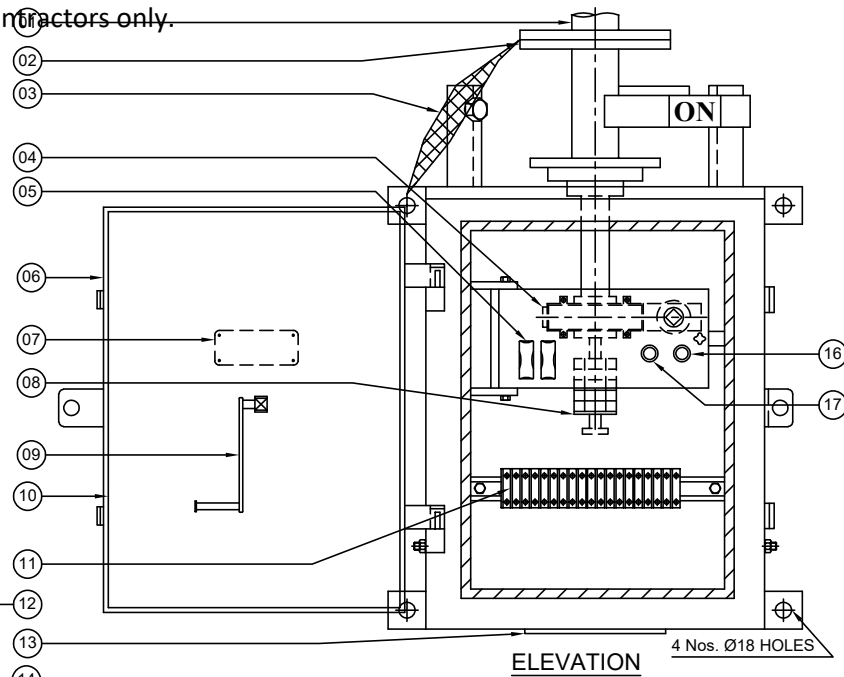
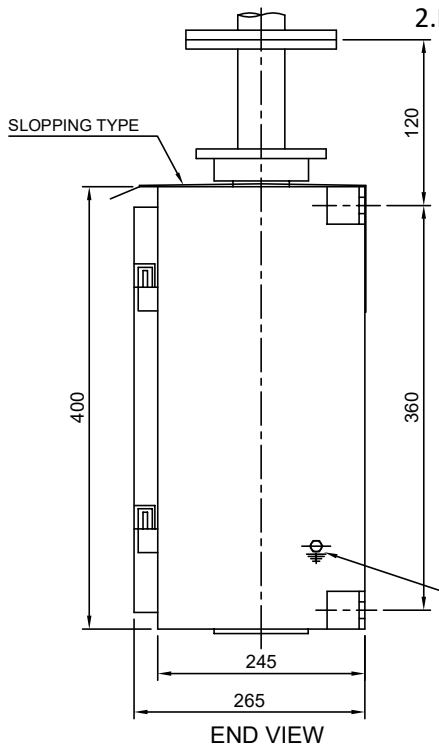
TITLE:
GENERAL ARRANGEMENT OF MOTOR OPERATING MECHANISM FOR 220 KV M/S.

SCALE:N.T.S	
DATE	21-03-2023
DRAWN	
CHECKED	
APPROVED	
DRG.NO:	4. GM APT 04
REV	



GR POWER SWITCHGEAR LTD.,
JEEDIMETLA HYDERABAD-500 055 INDIA

to be checked during acceptance tests.
2. For EPC contractors only.

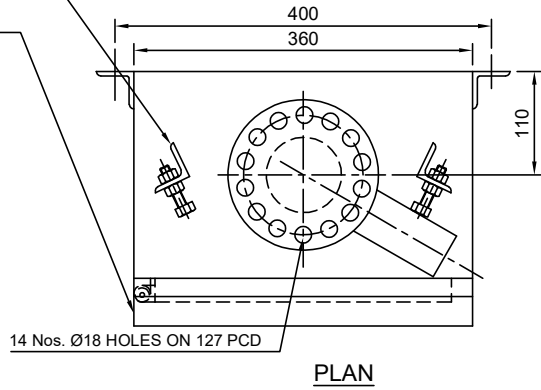


PART LIST

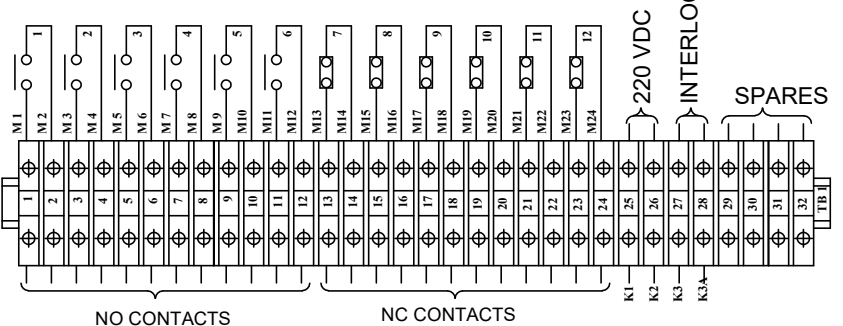
- 01. DOWN OPERATING PIPE
- 02. OUTPUT FLANGE (8 MM THICK M.S. PLATE)
- 03. COPPER FLEXIBLE (25 x 3 mm TINNED Cu. FLEXIBLE)
- 04. REDUCTION GEAR BOX (MATERIAL : EN8 / FORGED STEEL)
- 05. FUSES (2 A)
- 06. CUBICLE WITH DOOR (3 mm THICK, ALU. SHEET)
- 07. NAME PLATE
- 08. AUXILIARY SWITCH (6 NO + 6 NC)
- 09. OPERATING HANDLE
- 10. GASKET (EPDM)
- 11. TERMINAL BLOCKS (UBT-4 OF ELMEX / VIN MECH OR ITS EQUIVALENT)
- 12. PROVISION FOR EARTHING TERMINALS
- 13. DETACHABLE CABLE GLAND FIXING PLATE (WITHOUT GLANDS)
- 14. ON - OFF STOPPERS (M.S. ANGLE, HDG)
- 15. RAIN SHADE
- 16. INDICATION LAMP
- 17. PUSH BUTTON (4 A)

NOTES:

- 1. ALL DIMENSIONS ARE IN MILLIMETER
- 2. CUBICLE WILL BE NATURAL ALUMINIUM FINISH FOR INSIDE AND OUTSIDE.
- 3. DEGREE OF PROTECTION IP:55 AS PER IS/IEC 60529
- 4. WEIGHT OF THE BOX :28 Kg (Approx.)
- 5. WIRING WILL BE DONE WITH 1100 V GRADE 2.5 Sq. mm Cu. STANDED P.V.C. INSULATED CONDUCTOR
- 6. 20% SPARE TERMINALS PROVIDED
- 7. REDUCTION GEAR RATIO 20 : 1 MAKE GRPS MATERIAL OF GEAR EN8 / STEEL
- 8. LUBRICATION OF GEARS : NON HARDENED GREASE FILLED GEAR BOX

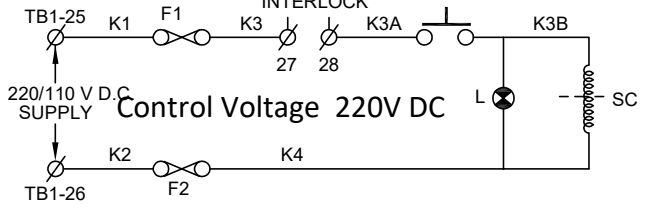


AUX. SWITCH CONTACT DETAILS FOR ISOLATOR
(6 NO / 6 NC)



Drawing approval subject to valid vendor registration

SCHEMATIC DIAGRAM:



- LEGEND:**
- F1, F2 ----- FUSES (2 Amp Rating)
 - PB ----- PUSH BUTTON
 - L ----- INDICATION LAMP
 - SC ----- SOLENOID COIL

REVISIONS			
D	C	B	A


<p>CHIEF ENGINEER/PROJECTS APTRANSCO/VS/Vijayawada</p>		<p>GR POWER SWITCHGEAR LTD., JEEDIMETLA HYDERABAD-500 055 INDIA</p>	<p>SCALE: N.T.S</p>
<p>OPERATING MECHANISM FOR EARTH SWITCH (FOR 220 KV)</p>			<p>DATE: 21-03-2023</p> <p>DRAWN: [Signature]</p> <p>CHECKED: [Signature]</p> <p>APPROVED: [Signature]</p>
<p>DRG.NO: 4. GN APT 06</p>		<p>REV: [Signature]</p>	<p>REV: [Signature]</p>


NOTE:-1. Drawings approval subject to valid type test reports,
to be checked during acceptance tests.

NAME PLATE DETAILS FOR ISOLATOR

2. For EPC contractors only.

NAME PLATE DETAILS FOR EARTH SWITCH

 MANUFACTURED & SUPPLIED BY GR POWER SWITCHGEAR LTD., JEEDIMETLA, HYDERABAD - 500 055	
CUSTOMER :	M/s. TRANSMISSION CORPORATION OF AP LIMITED
PROJECT :	-----
CONTRACTOR :	-----
P.O. NO :	----- Dt. : -----
TYPE :	HDB SL. NO : AS APPLICABLE YEAR OF Mfg. : 2023
RATING :	Un 220 KV ; In : 1200 A ; WEIGHT IN KG : -----
IMPLUSE(UI) :	1050 KV Peak; SWITCHING(Us): ----- KV Peak;
P.F. :	460 KV rms; STC(lth): 40 KA rms; DURATION: 3 Sec;
OPERATING MECHANISM :	MOTOR, 3 Ph., 415 V, 0.5 HP
CONTROL VOLTAGE :	220/110 V DC CREEPAGE: -----
Control Voltage 220V DC 150	

 MANUFACTURED & SUPPLIED BY GR POWER SWITCHGEAR LTD., JEEDIMETLA, HYDERABAD - 500 055	
CUSTOMER :	M/s. TRANSMISSION CORPORATION OF AP LIMITED
PROJECT :	-----
CONTRACTOR :	-----
L.O.A./ P.O. NO :	----- Dt. : -----
TYPE :	VB SL. NO : AS APPLICABLE YEAR OF Mfg. : 2023
RATING :	Un 220 KV ; In : ----- A ; WEIGHT IN KG : -----
IMPLUSE(UI) :	1050 KV Peak; SWITCHING(Us): ----- KV Peak;
P.F. :	460 KV rms; STC(lth): 40 KA rms; DURATION: 3 Sec;
OPERATING MECHANISM :	MANUAL(RG)
CONTROL VOLTAGE :	220/110 V DC CREEPAGE: -----
150	

Project, Contractor , PO, date , year of MFG shall be stamped during inspection



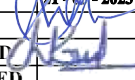
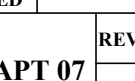
1. Minimum 300mm plinth shall be maintained for CT/PT/CVT/ Isolators/IVT in the substation during foundation works to ensure safe live to ground clearance as per IE rules.
2. Since the supply of terminal connectors is not in the scope of manufacturers as mentioned in the drawings. The EPC contractors shall be instructed to supply the same in line with CT/PT/CVT/Isolator /IVTs requirement and capability.

Drawing approval subject to valid vendor registration

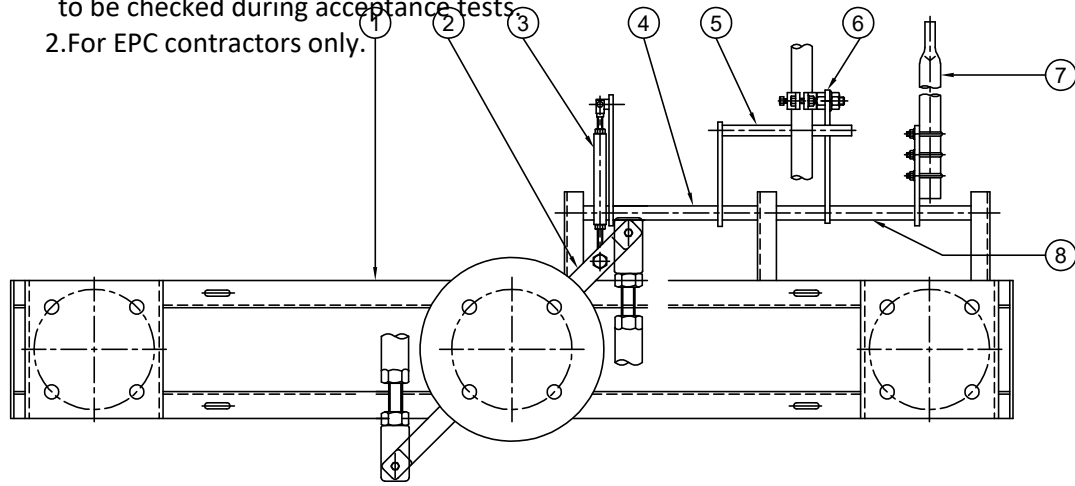
NOTES :

1. ENGRAVED LETTER SIZE : 3 mm
2. LETTER ETCHED WHITE ON BLACK BACKGROUND
3. MATERIAL : ALUMINUM
4. THICKNESS : 1 mm

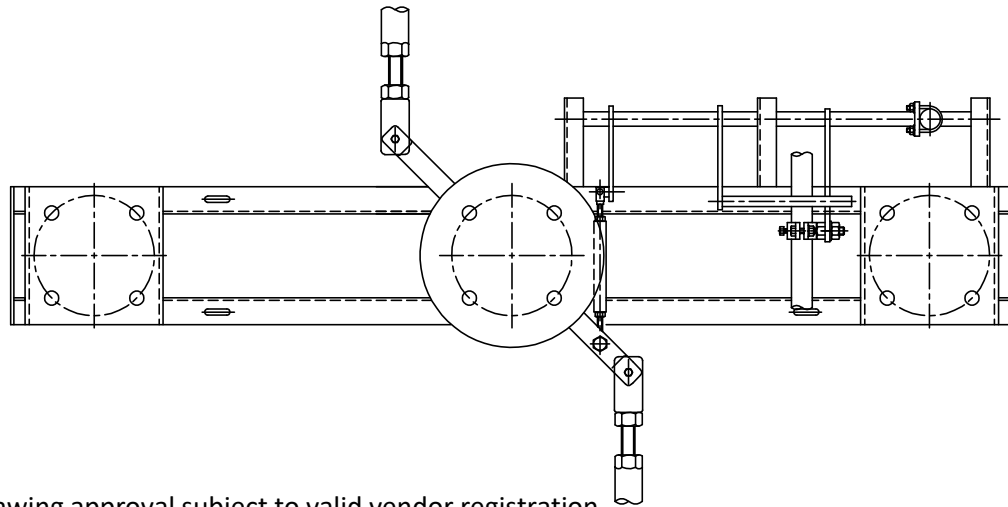
CHIEF ENGINEER/PROJECTS
APTRANSCO/VIS/Vijayawada

REVISIONS D C B A	TITLE:	SCALE: N.T.S			
	 GR POWER SWITCHGEAR LTD., JEEDIMETLA HYDERABAD-500 055 INDIA	NAME PLATE DETAILS (FOR 220 kV ISOLATOR)		DATE: 21.09-2023	
		DRG.NO:		CHECKED: 	REV
		4. GZ APT 07		APPROVED: 	

NOTE:-1. Drawings approval subject to valid type test reports, to be checked during acceptance tests.
2. For EPC contractors only.



**FIG - 1 : ISOLATOR IN "CLOSE" POSITION
EARTH SWITCH IN "OPEN" POSITION**



**FIG - 2 : ISOLATOR IN "OPEN" POSITION
EARTH SWITCH IN "CLOSE" POSITION**

CONSTRUCTION :

ISOLATOR OPERATING LEVER (2) IS CONNECTED TO THE ROTATION PIPE - 1 (4) THROUGH THE LINK ROD (3). THE STOPPER ROD (5) ALSO MOVES ALONG WITH THE ROTATING PIPE (4) EARTH SWITCH OPERATING LEVER (6) MOVES THE ROTATING PIPE - 2 (8) WITH EARTH SWITCH MOVING CONTACT (7) INDIVIDUALLY

FUNCTION :

IN FIG - 1 : IN THIS CONDITION THE ISOLATOR OPERATING LEVER (2) IS CONNECTED TO THE ROTATING PIPE - 1 (4) SUCH THAT THE STOPPER ROD (5) IS ABOVE THE EARTH SWITCH OPERATING LEVER (6) AS A RESULT THE STOPPER (5) WILL NOT PERMIT EARTH SWITCH OPERATING LEVER (6) TO MOVE AND THE E.S. MOVING CONTACT WILL REMAIN IN OPEN POSITION.

IN FIG - 2 : IN THIS CONDITION THE ISOLATOR OPERATING LEVER IS CONNECTED TO THE ROTATING PIPE - 1(4) SUCH THAT THE STOPPER ROD (5) WILL BE BELOW THE EARTH SWITCH OPERATING LEVER (6) AS A RESULT THE EARTH SWITCH OPERATING LEVER (6) WILL NOT PERMIT THE STOPPER ROD TO MOVE(5) AND ISOLATOR OPERATING LEVER (2) WILL REMAIN IN OPEN POSITION.

NOTES :


1. BASE CHANNEL 150 x 75 x 5 THK CHANNEL (HOT DIP GALVANIZED)
2. ISOLATOR OPERATING LEVER (40 x 10 mm THIK MS FLATTE)
3. LINK ROD (25 NB MS PIPE HDG)
4. ROTATING PIPE - 1 (25 NB MS PIPE HDG)
5. STOPPER ROD (20 Ø MS ROD HDG)
6. E.S. OPERATING LEVER (50 x 8 MS FLAT HDG)
7. E.S. MOVING CONTACT (38 OD x 30 ID CU. PIPE)
8. ROTATING PIPE - 2 (25 NB MS PIPE HDG)

CHIEF ENGINEER/PROJECTS
APTRANSCO/VS/Vijayawada


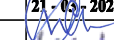


Drawing approval subject to valid vendor registration

REVISIONS			
D	C	B	A

TITLE: **MECHANICAL INTERLOCK BETWEEN MAIN SWITCH AND EARTH SWITCH (FOR 220 kV ISOLATOR)**



GR POWER SWITCHGEAR LTD.,
JEEDIMETLA HYDERABAD-500 055 INDIA

SCALE: N.T.S	
DATE	21-03-2023
DRAWN	
CHECKED	
APPROVED	
DRG.NO:	4. GZ APT 08
REV	


SCHEDULE OF GUARANTEED TECHNICAL PARTICULARS FOR 220KV, 1200A WITH ONE EARTH SWITCH

S.No	DESCRIPTION	220 KV
1	Type/Installation	"DB" Double Break - OUTDOOR
2	Manufacturer's Name and country of manufacture	GR POWER SWITCHGEAR LTD., HYDERABAD
3	Standards according to which the isolators are manufactured.	IS 9921Part I to V.& IEC 62271-102
4	Maximum design voltage at which the isolator can operate (kV).	245 KV
5	Frequency (Hz)	50 Hz
6	Rated voltage (kV)	220KV
7	Maximum current that can be safely interrupted by the Isolator inductive (A & % PF) Capacitive (A & % PF)	0.7 Amps at 0.15 p.f.
8	Continuous current rating normal (Amps) under site conditions (Amps).	1200 Amps
9	Rated short time current	<u>MAIN SWITCH/ EARTH SWITCH</u>
	i) For 3 Seconds (kA rms)	40 KA rms
	ii) For 1 Second (kA rms)	Not Applicable
	iii) Rated peak short time current (KV P)	100 KA rms
10	Current density at the minimum cross section of	
	a) Moving blade (Amps/Sq.mm)	2.0 Amps/Sq.mm for HDE Cu. Tube
	b) Terminal pad	1.0 Amp/Sq.mm for EC grade Alu. Flat.
	c) Contacts	1.6 Amps/Sq.mm for HDE Cu. Flat.
11	Maximum temperature rise of current carrying parts when carrying rated current continuously (Deg.C).	Within the specified limits of IS/IEC 62271-102.
12	Insulation levels	
	i) Impulse withstand voltage (kV Peak) Phase to Earth Isolating Distance.	1050 KV Peak
	ii) Switching surge withstand voltage (kV Peak) Phase to Earth isolating distance.	Not applicable

S.No	DESCRIPTION	220 KV
	iii) Power Frequency withstand voltage (kV rms) Phase to Earth isolating distance.	460 KV rms
13	Minimum clearance in air	
	i) Between poles (mm)	4000 mm for a phase spacing of 4500 mm
	ii) Between live parts and earth (mm)	2100 mm
	iii) Between live parts when switch is open.	
	a) On the same pole (mm)	2800 mm
	b) Between adjacent poles (mm)	3000 mm
14	Rated mechanical terminal load	
	i) Load along the terminal connector side (Kg).	102 Kgs
	ii) Load across the terminal connector side (Kg).	33.7 Kgs
15	Torque required to operate the switch in Kg.m.	40 Kg m
16	Contact Zone	} Not applicable
	i) Horizontal deflection (mm)	
	ii) Vertical deflection (mm)	
	iii) Total amplitude of longitudinal movement w.r.t conductor supporting fixed contact	
17	Design and construction	
	i) No. of insulators per pole	Three
	ii) No. of breaks per pole	Two
	iii) Type of closing / opening mechanism (Horizontal / vertical break straight etc.).	Horizontal break for Isolator
	iv. Contacts	Thickness of Silver plating : 15 Microns Minimum
	a) Material and grade	Hard Drawn Electrolytic Copper flat, silver plated micron thickness.
	b) Cross-sectional area (Sq.mm)	768 Sq.mm for 1200A

Drawing approval subject to valid vendor registration

CHIEF ENGINEER/PROJECTS
APTRANSCO/VS/Vijayawada

S.No	DESCRIPTION	220 KV
v	Moving blades	Thickness of Silver plating : 15 Microns Minimum
	a) Material and grade	: Hard Drawn Electrolytic Copper tube, silver plated of  micron thickness.
	b) Cross-sectional area (Sq.mm)	: 643 Sq.mm for 1200A
vi)	Contact support	
	a) Material and size of channel / block.	: 8 mm Thick MS HDG
vii)	Rain hood-material grade and size	: MS HDG
viii)	Turn and twist mechanism	
	a) Material and size of clamps	: 40 x 10 MS HDG Flat
	b) Material size of springs	: 14 swg SS wire
	c) Whether springs are encased	: Not encased
ix)	Nuts and bolts	Drawing approval subject to valid vendor registration
	a) Size, material and grade in live parts.	: Lessthan M8 are of stainless steel
	b) Size, material and grade in other parts.	: M8 and above are of MS HDG.
x)	Insulator base plate material and size of plate below insulators.	: 12 mm thick M.S. Hot dip galvanised plate
xi)	Bearings	
	a) Material and size of housing	: MS HDG suitable for 50 ID Ball Bearing
	b) No. of bearings, location & size	: 2 Nos. below centre rotating post insulator
xii)	Tandem pipe	
	a) Size, length class and No. of pipes	: As per GA drawings
	b) Size of shackle screw	: Suitable for 40 NB
	c) No. of bearings / bush and its material and size.	: 6 Nos. bush bearings, brass, 16 mm ID Size.
xiii)	Type of interlock	: (i) Mechanical interlock between Isolator and Earth Switch. (ii) Electrical interlock between Isolator and circuit breaker.
xiv)	Down pipe size, length and class	: 50 mm NB Class B GI Pipe.

S.No	DESCRIPTION	220 KV
	xv) Type of universal/swivel joint	
	a) Between bearing & down pipe	: Universal joint
	b) Between down pipe and operating mechanism.	: Vernier Flange
	xvi) Operating mechanism	Motor operated mechanism for M.S. & Manual operated mechanism for E.S.
	a) Control cabinet	
	Material and thickness	: 3 mm Thick ALU Sheet
	Degree of protection	: IP : 55 as per IS 2147
	Type size and no. of cable glands.	: Compression type, 2 Nos. 19 mm. (Contractor scope of supply)
	Whether removable gland plate provided.	: Yes, removable gland plate provided.
	b) Make type, rating and Qty. of Motors	: Ø3, 415v, 0.5 HP Motor
	Auxiliary blocks	: 12 NO / 12 NC contacts for Main Switch 6 NO / 6 NC contacts for Earth Switch Mani 10 A, 2 A DC breaking with 2A - 1 No.
	Terminal blocks	: UBT-4
	Insulated Wires	: 1100 V grades, 2.5 Sq.mm PVC For Auxiliary Circuit and 2.5 Sq.mm for Power circuit
	HRC Fuse	: Not Applicable, MCB's
	Space Heater	: 1 No. 230V AC. 80 Watts / Ramana Electrical
	Interlocks	: 1 Set PSI / 20 Watts magnetic - 1 No.
	xvii) Base	
	a) Size of steel sections used	: 150 X 75 mm
	b) Overall size	: 3600 x 150 x 75 mm x 5 mm
	c) Total weight	: 52 Kgs approx

for GR POWER SWITCHGEAR LTD.,



AUTHORIZED SIGNATORY

Drawing approval subject to valid vendor registration

CHIEF ENGINEER/PROJECTS
APTRANSCO/VS/Vijayawada