

NOTE: 1. Drawings Approval subject to valid type test reports, to be checked during acceptance tests.
2. For EPC contractors only.

			265
			765
REV	DATE	CHANGES MADE	SIG

LIST OF DRAWINGS/DOCUMENTS FOR 245KV DBR DISCONNECTOR


S NO.	TITLE	DRAWING NO.	REV	SHEET
1	GA OF 245kV 2000A 'DBR' DISCONNECTOR WITHOUT EARTH SWITCH	STD-2453001	0	1 OF 1
2	DETAILS OF MAIN CONTACT (245KV 2000A DBR DISCONNECTOR)	STD-2453002	0	1 OF 1
3	GA OF MOTOR OPERATING MECHANISM FOR DISCONNECTOR	STD-2453003	0	1 OF 1
4	SCHE. DIAG OF DISCONNECTOR CONTROL PANEL AC & DC	STD-2453004	0	1 OF 2
5	TERMINAL BLOCK DETAILS FOR DISCONNECTOR CONTROL PANEL	STD-2453004	0	2 OF 2
6	NAME PLATE DETAILS (FOR 245KV DBR DISCONNECTOR)	STD-2453005	0	1 OF 1
7	GTP FOR 245KV DBR DISCONNECTOR	STD/GTP/245KV/DBR	0	---

NOTE:- THIS COMPLETE SET OF DRAWINGS ARE REPRESENTATIVE OF THE LATEST TYPE TEST REPORT AND PROPRIETARY DESIGN, RESEARCH & DEVELOPMENT OF SWITCHGEAR MANUFACTURING COMPANY PVT. LTD. GANDRAJAPALLE. THE DESIGNS SHALL NOT BE REPRODUCED WITHOUT WRITTEN CONSENT OF SWITCHGEAR MANUFACTURING COMPANY PVT. LTD. GANDRAJAPALLE.

1. Minimum 300mm plinth shall be maintained for CT/PT/CVT/Isolators/IV/LA/Breakers in the substation during foundation works to ensure safe live to ground clearance per IE rules.
2. Since the supply of terminal connectors is not in the scope of manufacturer as mentioned in the drawings. The EPC contractor shall be instructed to supply the same line with CT/PT/CVT/Isolator/IVT/LA/Breaker's requirement and compatibility.

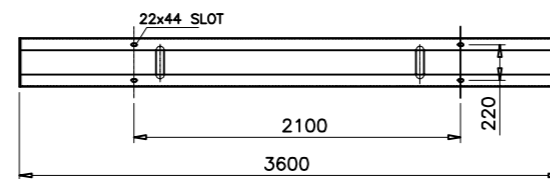
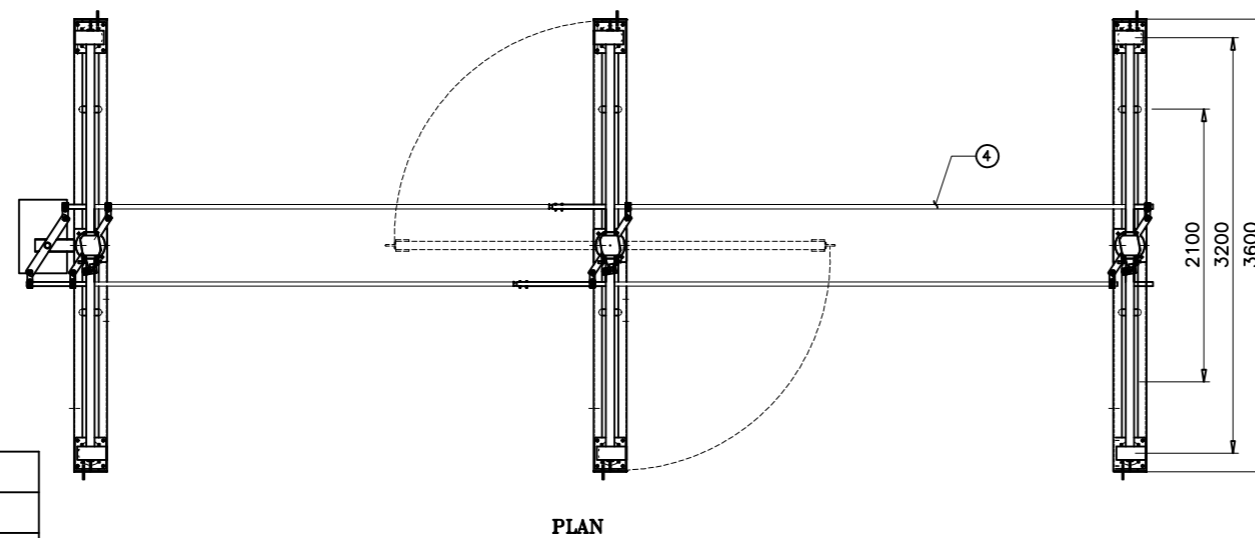
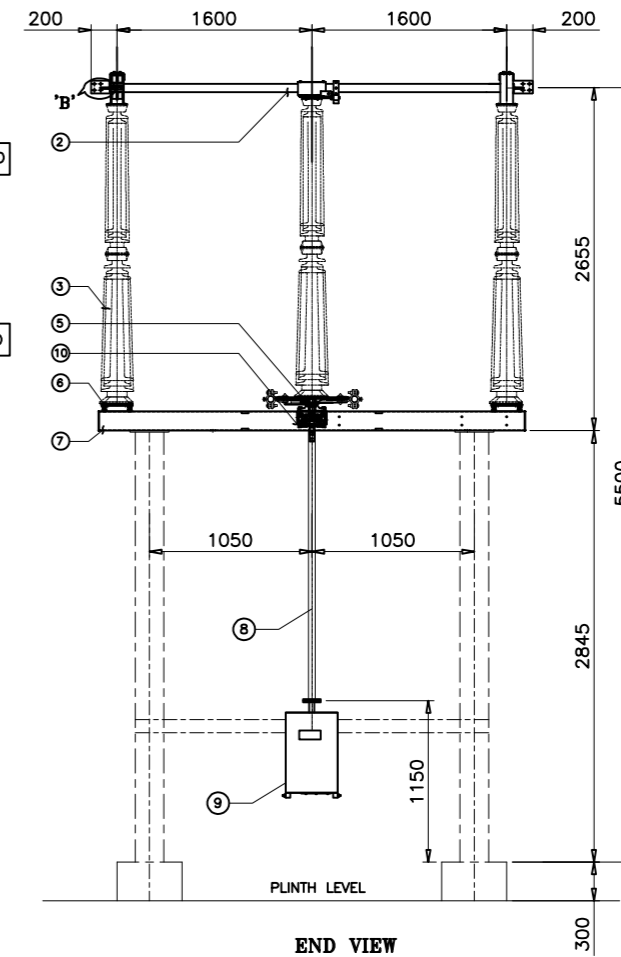
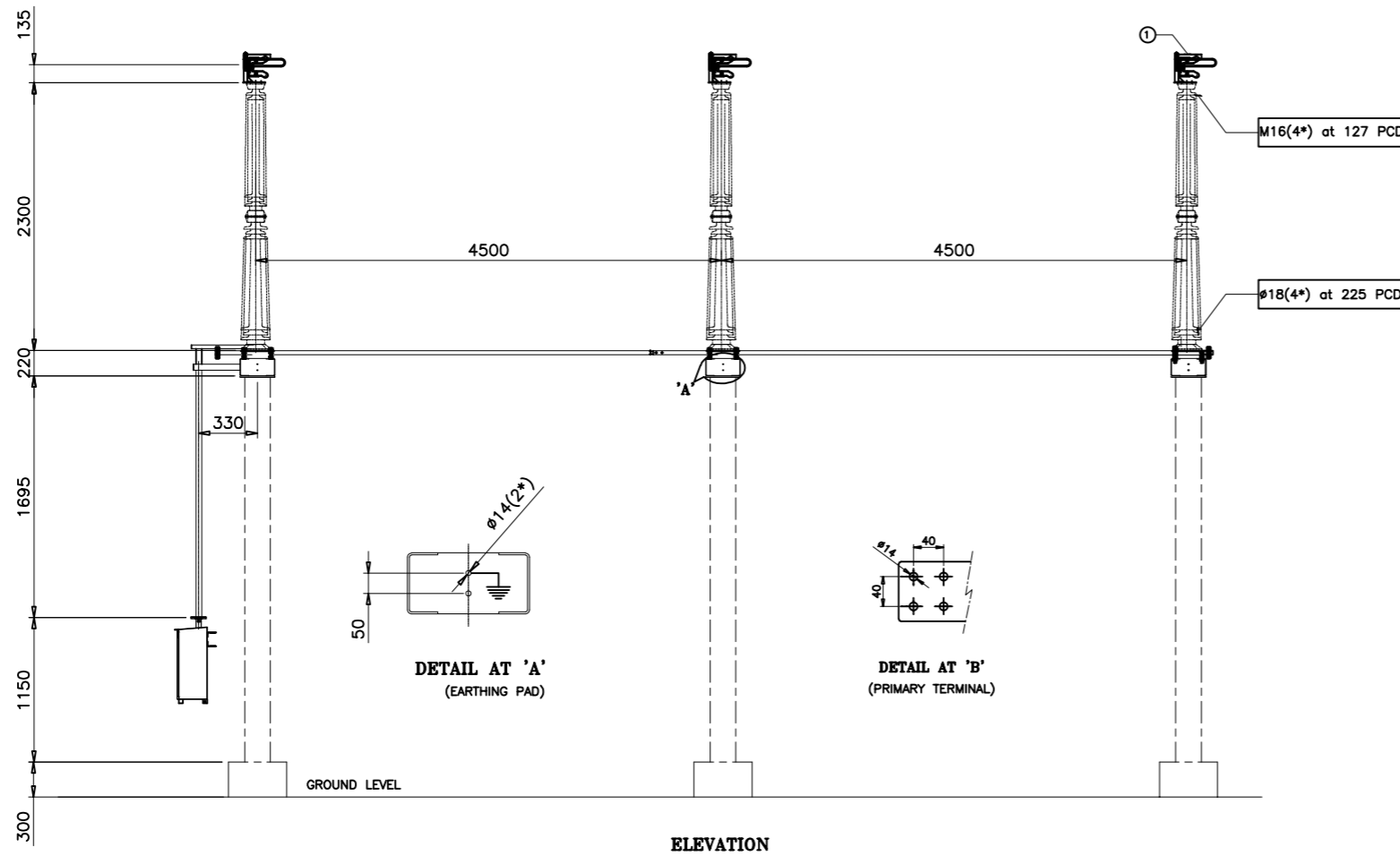
Drawing approval subject to valid vendor registration

**CHIEF ENGINEER/PROJECTS
APTRANSCO/VISVIJAYAWADA**

DRN	YVG	07.07.23		SWITCHGEAR MANUFACTURING COMPANY	
CHKD	VK	07.07.23		GANDRAJUPALLE, CHITTOOR DIST, A.P, INDIA.	
APPD	OJA	07.07.23		TITLE	
DEPT	SIGN	DATE		MASTER LIST	
	SC: NTS	Paper size A3	DRG.NO. S T D - 2 4 5 3 0 0 0		SHEET 1 OF 1
					REV. 0

NOTE:- THIS COMPLETE SET OF DRAWINGS ARE REPRESENTATIVE OF THE LATEST TYPE TEST REPORT AND PROPRIETARY DESIGN, RESEARCH & DEVELOPMENT OF SWITCHGEAR MANUFACTURING COMPANY PVT. LTD. GANDRAJAPALLE. THE DESIGNS SHALL NOT BE REPRODUCED WITHOUT WRITTEN CONSENT OF SWITCHGEAR MANUFACTURING COMPANY PVT. LTD. GANDRAJAPALLE.

NOTE: 1. Drawings Approval subject to valid type test reports, to be checked during acceptance tests.
 2. For EPC contractors only.



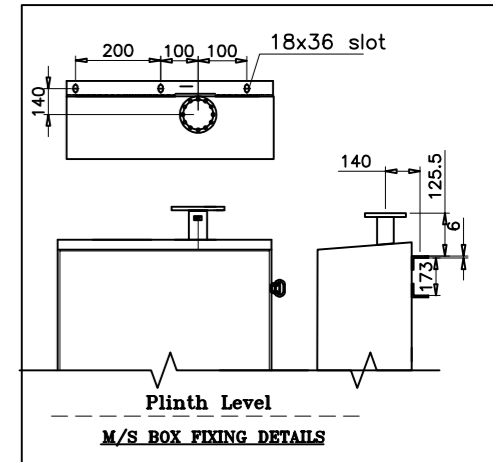
266			
765			
REV	DATE	CHANGES MADE	SIG
REF. STANDARD IEC:62271-102			
MOTOR VOLTAGE AC	V	415	
CONTROL VOLTAGE DC	V	220	
CROSS	kg	34	
TL STRAIGHT	kg	102	
ACROSS	kVp	530	
PF TO EARTH	kVp	460	
ACROSS	kVp	1200	
LI TO EARTH	kVp	1050	
STC PEAK FOR 3 Sec	kAp	100	
	kA	40	
CURRENT	A	2000	
VOLTAGE	kV	245	
DESCRIPTION	UNIT	VALUE	
TECHNICAL DATA			

PT.	DESCRIPTION	QTY
10	TOP OPERATING MECHANISM	01
9	OPERATING MECHANISM BOX(MOTOR)	01
8	OPERATING PIPE(50NB GI PIPE)	03
7	BASE CHANNEL(150X75X5MM THK)	03
6	ELEVATOR PLATE (12MM THK) MS HDG	06
5	ROTATING STOOL POST	03
4	TANDEM PIPE (32 NB GI PIPE)	02
3	INSULATOR STACK (CONTRACTOR SCOPE)	09
2	MOVING CONTACT ASSLY	03
1	FIXED CONTACT ASSLY	06

BASE CHANNEL FIXING DETAILS

CHIEF ENGINEER/PROJECTS
APTRANSCO/VS/VIJAYAWADA

Drawing approval subject to valid vendor registration



Plinth Level
M/S BOX FIXING DETAILS

- NOTES**
- ALL DIMENSIONS ARE IN 'mm'
 - ALL FERROUS PARTS ARE HOT DIP GALVANIZED WITH 85 MICRONS
 - ALL NON-FERROUS CONTACT POINTS ARE SILVER PLATED WITH 15 MICRONS
 - THE MAIN ROTATING POST HAS TWO NOS OF BEARING
 - ALL GI PIPES ARE OF 'B' CLASS AS PER IS:1239
 - MANUFACTURING TOLERANCES
 - i) UPTO 50mm-- ±3% ii) 51 to 100mm-- ±2%
 - iii) 101 to 300mm--±1% iv) ABOVE 300mm-- ±0.5%

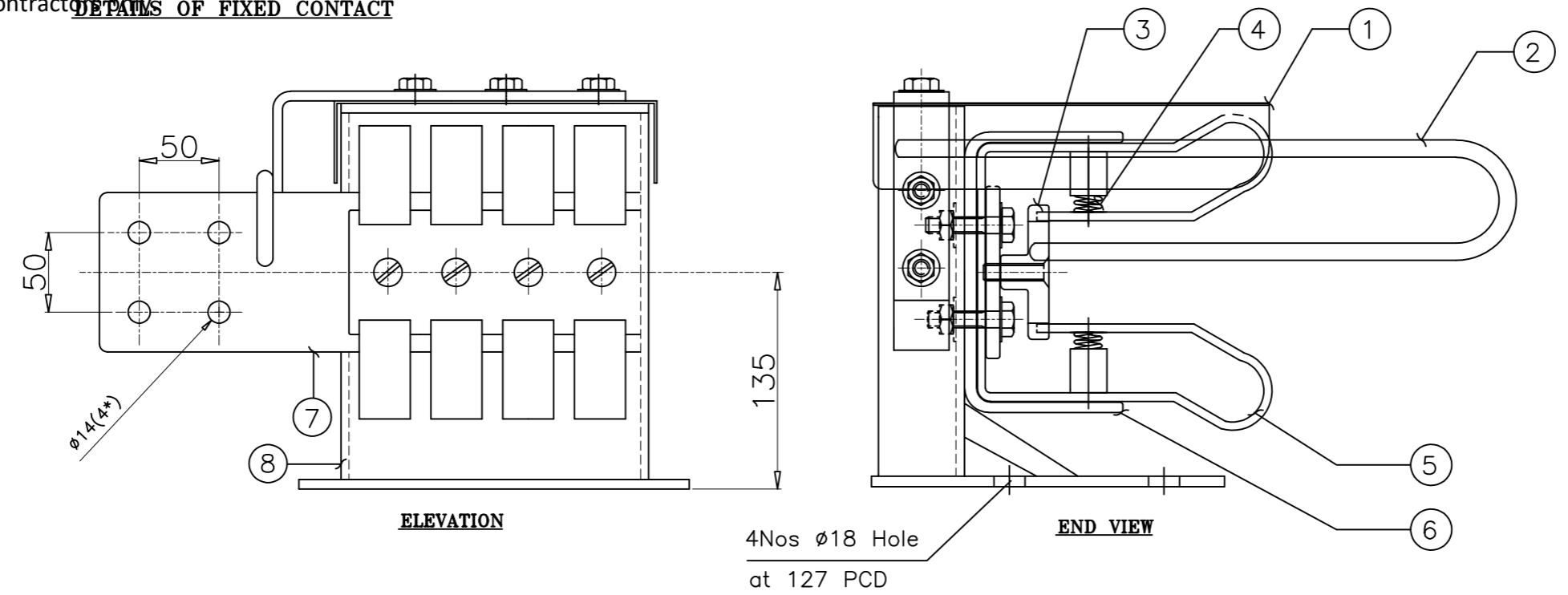
DRN	YVG	07.07.23	SWITCHGEAR MANUFACTURING COMPANY GANDRAJUPALLE, CHITTOOR DIST, A.P, INDIA.
CHKD	VK	07.07.23	
APPD	OJA	07.07.23	TITLE
DEPT	SIGN	DATE	245KV 2000A DBR DISCONNECTOR WITHOUT EARTH SWITCH
SC: NTS	Paper size	A3	DRG.NO. S T D - 2 4 5 3 0 0 1
			SHEET 1 of 1
			REV. 0

REV	DATE	CHANGES MADE	SIG

NOTE:- THIS COMPLETE SET OF DRAWINGS ARE REPRESENTATIVE OF THE LATEST TYPE TEST REPORT AND PROPRIETARY DESIGN, RESEARCH & DEVELOPMENT OF SWITCHGEAR MANUFACTURING COMPANY PVT. LTD. GANDRAJUPALLE. THE DESIGNS SHALL NOT BE REPRODUCED WITHOUT WRITTEN CONSENT OF SWITCHGEAR MANUFACTURING COMPANY PVT. LTD. GANDRAJUPALLE.

NOTE: 1. Drawings Approval subject to valid type test reports, to be checked during acceptance tests.

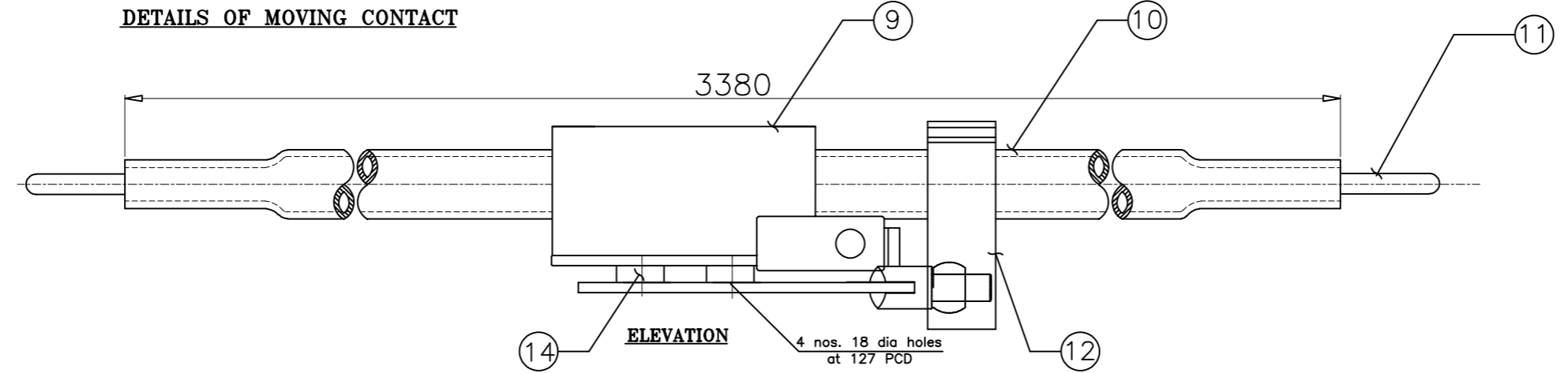
DETAILS OF FIXED CONTACT



- NOTES**
- ALL DIMENSIONS ARE IN 'MM'
 - All ferrous parts are hot-dip galvanized with 85 microns
 - All non-ferrous contact points are silver plated with 15 microns
 - MANUFACTURING TOLERANCES
 - i) UPTO 50mm-- ± 3%
 - ii) 51 to 100mm--± 2%
 - iii) 101 to 300mm--± 1%
 - iv) ABOVE 300mm--±0.5%
 - Bolted area are Tin plated up to 10 microns to avoid bi-metallic reaction between Cu & Al

Drawing approval subject to valid vendor registration

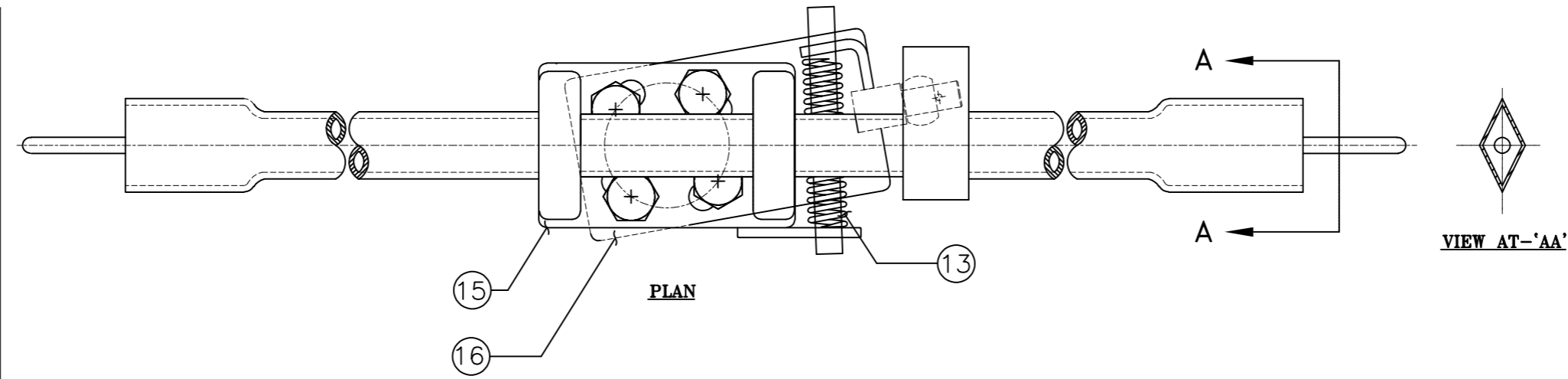
DETAILS OF MOVING CONTACT



CHIEF ENGINEER/PROJECTS
APTRANSCO/VS/VIJAYAWADA

PART LIST

01	FC RAIN HOOD (AL.)
02	FC ARCING HORN (MS HDG)
03	SPACER (Al.)
04	FC SPRING (SS)
05	FC JAW (32x5 copper flat, 4 Nos)
06	JAW BACK STRIP (MS HDG)
07	JUMPER PAD (100x20 Al. Flat)
08	SUPPORTING CHANNEL (MS HDG)
09	MC RAIN HOOD (AL.)
10	MC ARM (50 OD 34 ID copper tube)
11	MC ARCING HORN (MS HDG)
12	MC CLAMP (MS HDG)
13	MC SPRING (SS)
14	SPACER BUSH (Brass)
15	MC TOP PLATE (MS HDG)
16	MC BOTTOM PLATE (MS HDG)

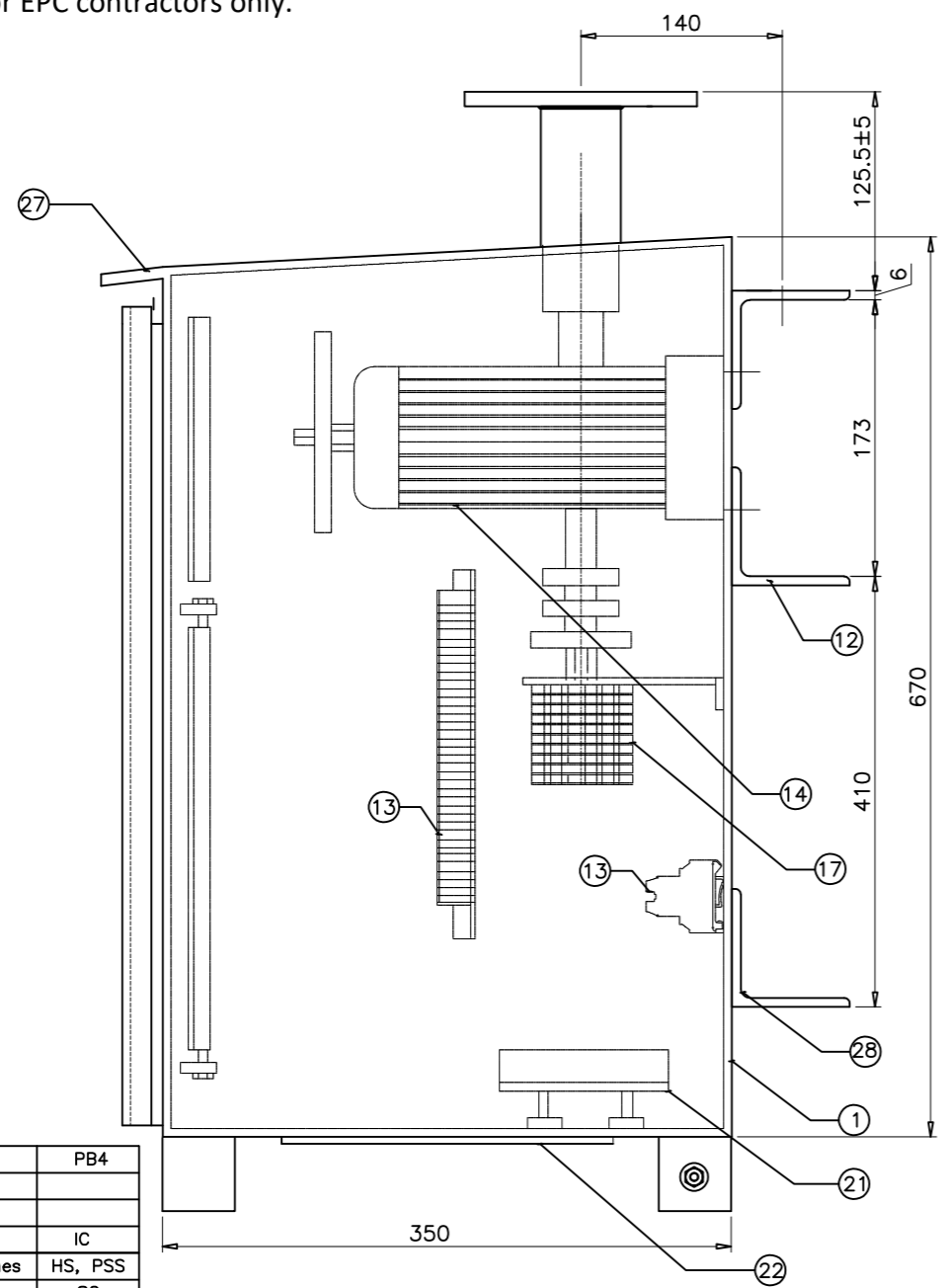


Sl.No.	Cross section	Area	Current Rating	Current Density (Amps/sq.mm)	DRN	YVG	04.06.22	SWITCHGEAR MANUFACTURING COMPANY GANDRAJUPALLE, CHITTOOR DIST, A.P, INDIA.	
1	(FC JAWS) 32X5X(4x2)	1280mm ²	2000A	1.56	CHKD	VK	04.06.22		
2	(MC ARM) 50 OD X 34 ID	1055mm ²	2000A	1.89	APPD	OJA	04.06.22		
3	JUMPER PAD (100X20)	2000mm ²	2000A	1	DEPT	SIGN	DATE		
					SC: NTS	Paper size	A3	TITLE MAIN CONTACT DETAILS (FOR 245KV 2000A DBR DISCONNECTOR)	
							DRG.NO. S T D - 2 4 5 3 0 0 2	SHEET 1 OF 1	REV. 0

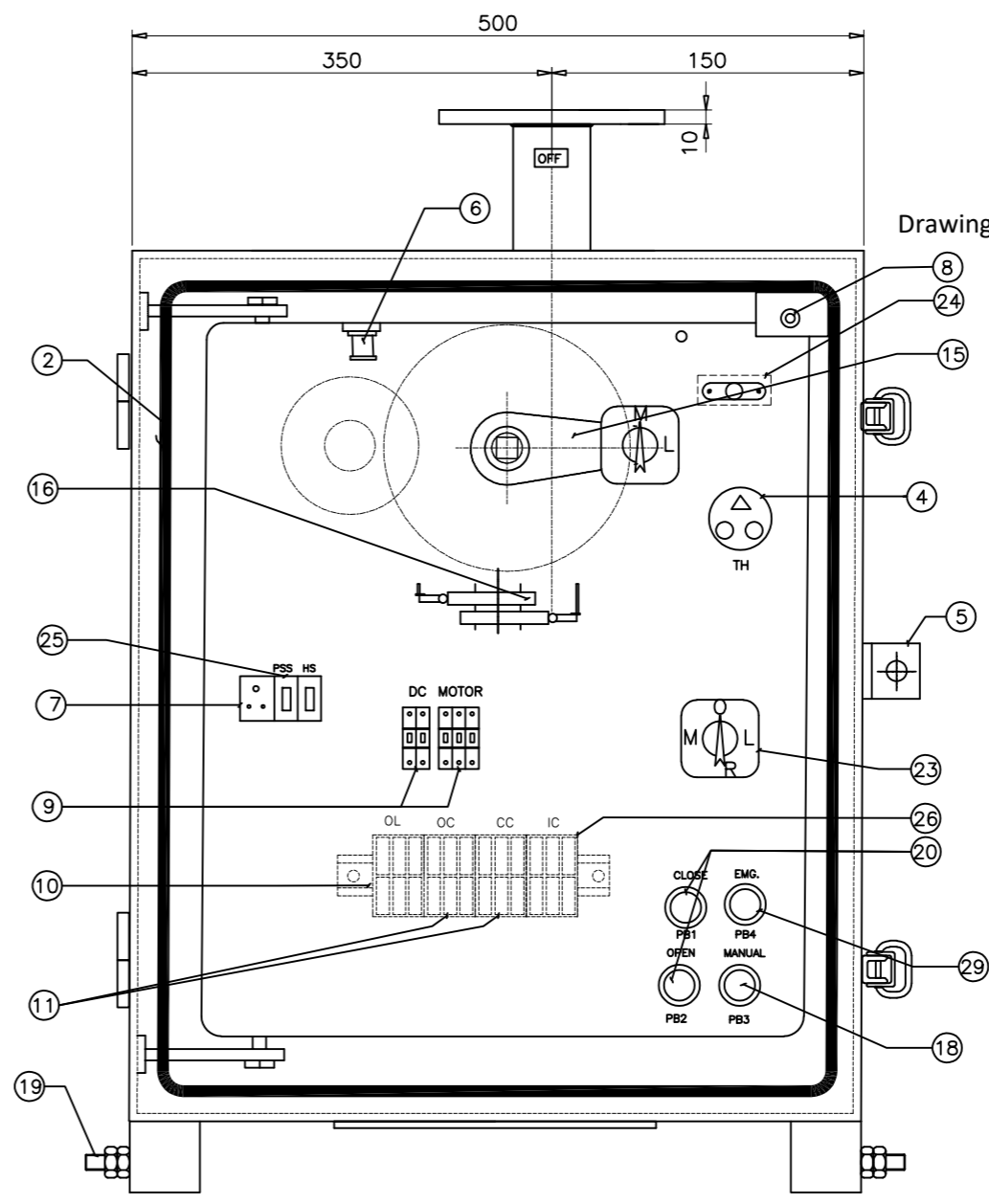
REV	DATE	CHANGES MADE	SIG

NOTE: 1. Drawings Approval subject to valid type test reports, to be checked during acceptance tests.
2. For EPC contractors only.

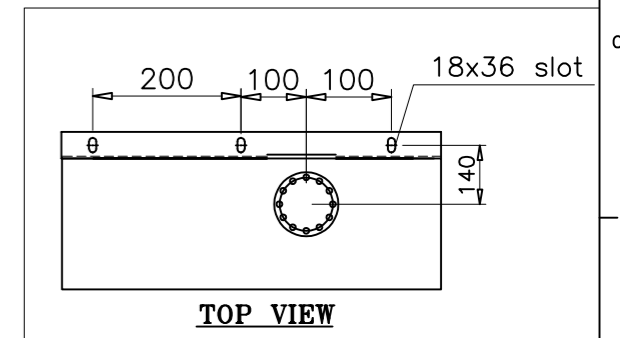
NOTE:- THIS COMPLETE SET OF DRAWINGS ARE REPRESENTATIVE OF THE LATEST TYPE TEST REPORT AND PROPRIETARY DESIGN, RESEARCH & DEVELOPMENT OF SWITCHGEAR MANUFACTURING COMPANY PVT. LTD. GANDRAJAPALLE. THE DESIGNS SHALL NOT BE REPRODUCED WITHOUT WRITTEN CONSENT OF SWITCHGEAR MANUFACTURING COMPANY PVT. LTD. GANDRAJAPALLE.



END VIEW

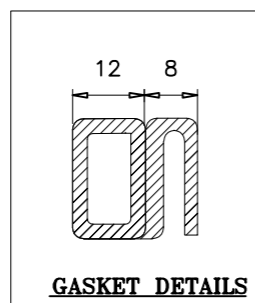


ELEVATION

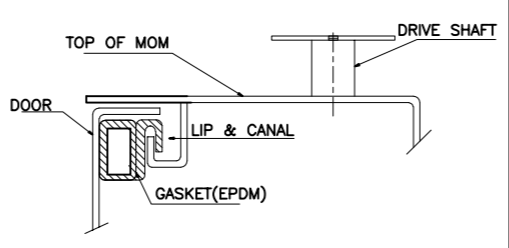


TOP VIEW

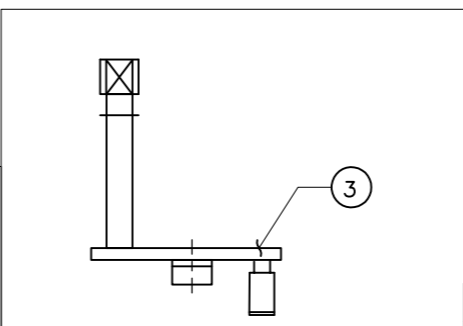
29	Emergency push button	PB4
28	Fixing cleat (Al.)	
27	Rain canopy	
26	Interlocking Contactor	IC
25	Heater & Power Socket Switches	HS, PSS
24	Solenoid Interlock	SC
23	Selector Switch (L/R/M)	S2
22	Gland plate (Without glands)	
21	Heater	CH
20	Close and open push buttons	PB1 & PB2
19	Earthing bolt (2nos of M12 size)	
18	Push buttons for manual	PB3
17	Aux. switch	
16	Limit switch	LS
15	Knob for manual operation	
14	Motor with reduction gear unit	
13	Terminal block(CTS4UN)	
12	Fixing Angle (MS HDG)	
11	Open & Close contactors	OC/CC
10	Overload relay (OL) cum SPP	OLR
9	MCBs	
8	Light switch (Door Operated)	
7	Power socket	PS
6	Lamp holder (WITHOUT LAMP)	CL
5	Provision for padlock	
4	Thermostat	TH
3	Handle for manual operation	
2	Rubber gasket (EPDM)	
1	Enclosure (3mm Th Aluminium)	
PT NO.	DESCRIPTION	LEGEND



GASKET DETAILS



SECTIONAL VIEW OF DOOR GASKET



HANDLE FOR MANUAL OPERATION
(Kept on back of the door)

Drawing approval subject to valid vendor registration

CHIEF ENGINEER/PROJECTS
APTRANSCO/VS/VIJAYAWADA

NOTES

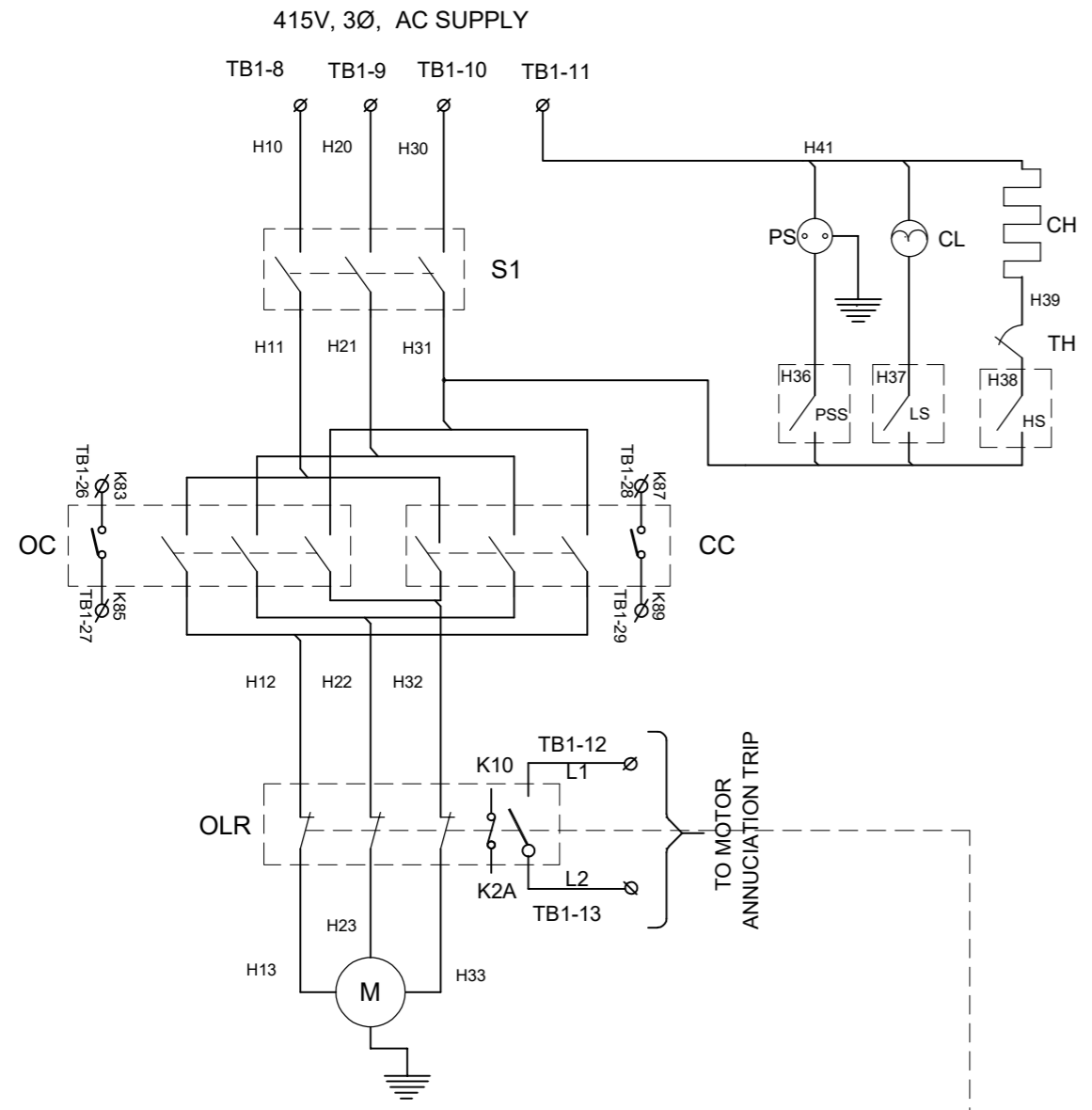
- 01 All dimensions are in 'mm'
- 02 For manual operation follow the instructions as given in schematic diagram
- 03 Degree of protection for cabinet IP:55 as per IS:13947
- 04 Cubicle shall be made out of 3 mm thick Aluminium Sheet and painted to paint shade 631 of IS:5
- 05 Net weight of the box-70Kgs (Approx)
- 06 Internal wiring will be done with 2.5 sq.mm cu stranded conductor & 20% Spare Terminals shall be provided.
- 07 Tolerance as per GA drawing

DRN	YVG	07.07.23		SWITCHGEAR MANUFACTURING COMPANY GANDRAJAPALLE, CHITTOOR DIST, A.P, INDIA.	
CHKD	VK	07.07.23		TITLE GENERAL ARRANGEMENT OF MOTOR OPERATING MECHANISM FOR DISCONNECTOR	
APPD	OJA	07.07.23		DRG.NO. S T D - 2 4 5 3 0 0 3	
DEPT	SIGN	DATE	Paper size	SHEET	REV.
SC: NTS			A3	1 of 1	0

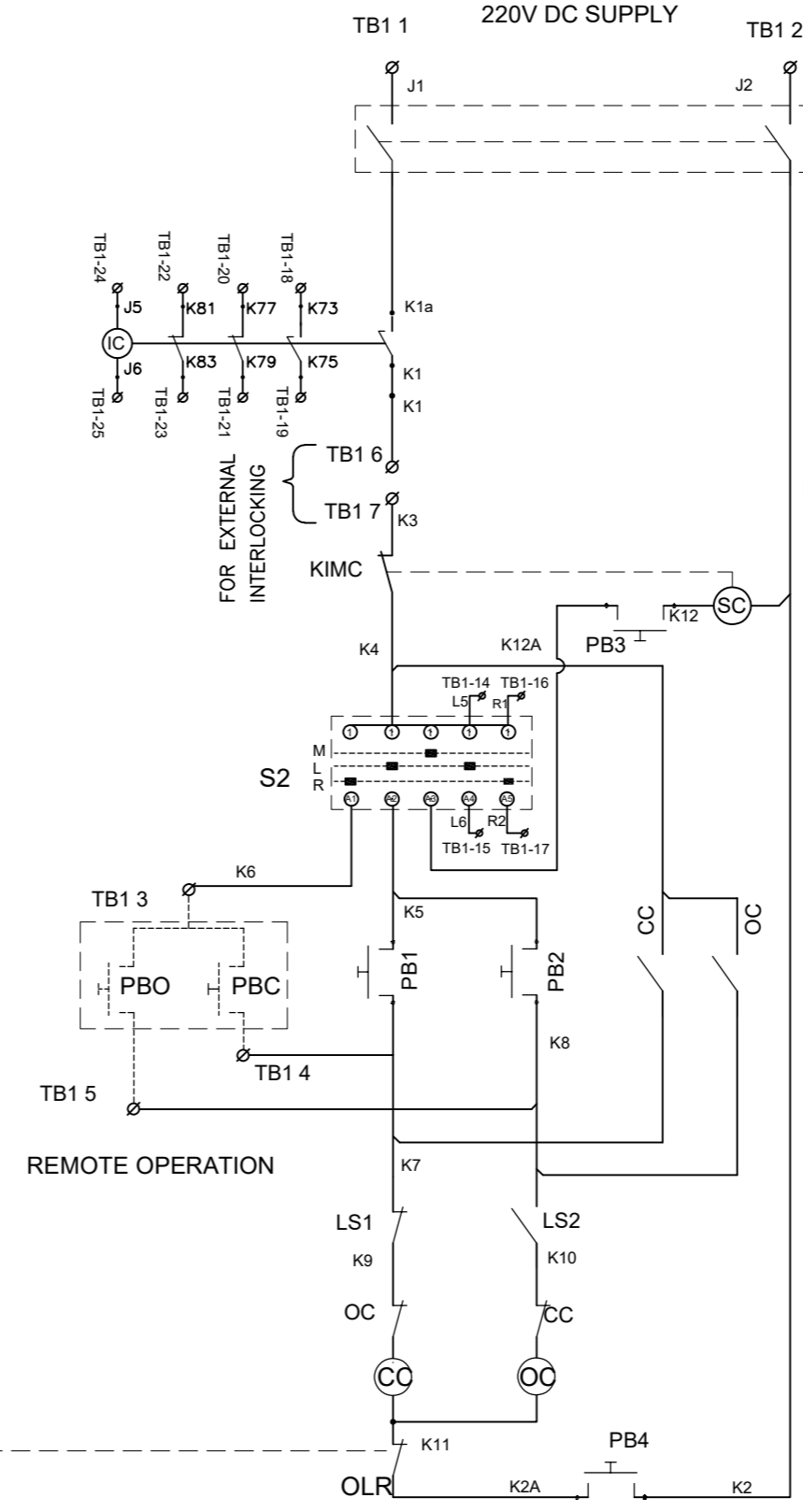
REV	DATE	CHANGES MADE	SIG

NOTE: 1. Drawings Approval subject to valid type test reports, to be checked during acceptance tests.
2. For EPC contractors only.

AC CIRCUIT



DC CIRCUIT



Drawing approval subject to valid vendor registration

CHIEF ENGINEER/PROJECTS
APTRANSCO/VS/VIJAYAWADA

OPERATING INSTRUCTIONS

- Operation is possible only when the breaker is in 'OPEN' condition and after interlocking condition of system are satisfied
- For manual operation of isolator please follow the instructions given below:
 - Press the manual push button(PB3) & Rotate the knob(15) provided on panel board, due to which the blocking flap will rotate to gain access for manual operation
 - Insert the operating handle through hole to the gear box shaft
 - Rotate the handle clockwise/anti-clockwise for open/close the Disconnecter
 - When manual operation is not needed, restore the knob to its original position

NOTES

- Scheme shown when Disconnecter in open position & De-Energised
- In case of unavailability alternate reputed make shall be used

- Minimum 300mm plinth shall be maintained for CT/PT/CVT/Isolators/IV/LA/Breakers in the substation during foundation works to ensure safe live to ground clearance per IE rules.
- Since the supply of terminal connectors is not in the scope of manufacturer as mentioned in the drawings. The EPC contractor shall be instructed to supply the same line with CT/PT/CVT/Isolator/IVT/LA/Breaker's requirement and compatibility.

NOTE:- THIS COMPLETE SET OF DRAWINGS ARE REPRESENTATIVE OF THE LATEST TYPE TEST REPORT AND PROPRIETARY DESIGN, RESEARCH & DEVELOPMENT OF SWITCHGEAR MANUFACTURING COMPANY PVT. LTD. GANDRAJAPALLE. THE DESIGNS SHALL NOT BE REPRODUCED WITHOUT WRITTEN CONSENT OF SWITCHGEAR MANUFACTURING COMPANY PVT. LTD. GANDRAJAPALLE.

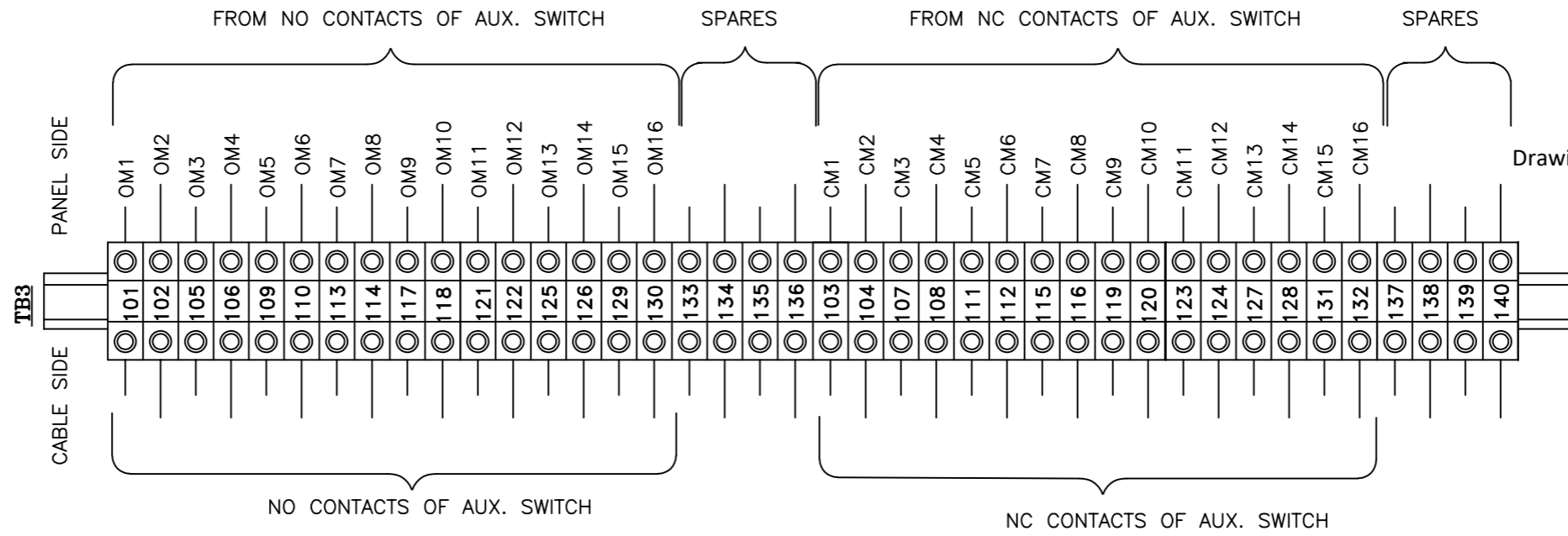
LEGEND	DESCRIPTION	MAKE	QTY
PB4	Emergency push button	Siemens/Schneider/C&S/ABB/Teknic	1
IC	interlocking Contactor	Siemens/Schneider/C&S/ABB	1
KIMC	Key interlock switch	Recom/Kaycee/Switron	1
M	Motor 3φ 415V AC (0.5HP)	Remi/Elcen/Lhp/Hindustan/CGL	1
S2	L/R/M selector switch	Recom/Kaycee/Switron	1
S1	MCB for 3φ AC Supply (6A)	Siemens/Schneider/C&S/ABB	1
PSS	Power socket switch (5A)	Anchor/Maru/Reputed	1
PS	Power socket (5A)	Anchor/Maru/Reputed	1
PB3	Interlock push button (for manual)	Siemens/Schneider/C&S/ABB/Teknic	1
PB1,PB2	Close and open push buttons	Siemens/Schneider/C&S/ABB/Teknic	2
OLR	Over load relay cum SPP(1-1.6A)	Siemens/Schneider/C&S/ABB	1
TH	Thermostat (30'-85')	Girish ego/Reputed	1
LS2	Limit switch close	Jaibalaji/BCH/Elmex/Mani/Teknic	1
LS1	Limit switch open	Jaibalaji/BCH/Elmex/Mani/Teknic	1
LS	Lamp switch (2A)	Anchor/Maru/Suraj	1
SC	Solenoid interlocking coil (220V)	OWN	1
HS	Heater switch (5A)	Anchor/Maru/Reputed	1
CS	MCB for Control supply (2A)	Siemens/Schneider/C&S/ABB	1
CH	Cubicle heater (80W, 240V AC)	Girish ego/Reputed	1
CL	Cubicle lamp (without bulb) 5A	Anchor/Maru/Reputed	1
OC & CC	Close and open contactors	Siemens/Schneider/C&S/ABB	2

DRN	YVG	07.07.23	SWITCHGEAR MANUFACTURING COMPANY GANDRAJAPALLE, CHITTOOR DIST, A.P, INDIA.
CHKD	VK	07.07.23	
APPD	OJA	07.07.23	
DEPT	SIGN	DATE	
SC: NTS	Paper size	A3	TITLE SCHEMATIC DIAGRAM OF FOR DISCONNECTOR CONTROL PANEL-AC & DC
DRG.NO. S T D - 2 4 5 3 0 0 4			SHEET 1 of 2
			REV. 0

NOTE:- THIS COMPLETE SET OF DRAWINGS ARE REPRESENTATIVE OF THE LATEST TYPE TEST REPORT AND PROPRIETARY DESIGN, RESEARCH & DEVELOPMENT OF SWITCHGEAR MANUFACTURING COMPANY PVT. LTD. GANDRAJAPALLE. THE DESIGNS SHALL NOT BE REPRODUCED WITHOUT WRITTEN CONSENT OF SWITCHGEAR MANUFACTURING COMPANY PVT. LTD. GANDRAJAPALLE.

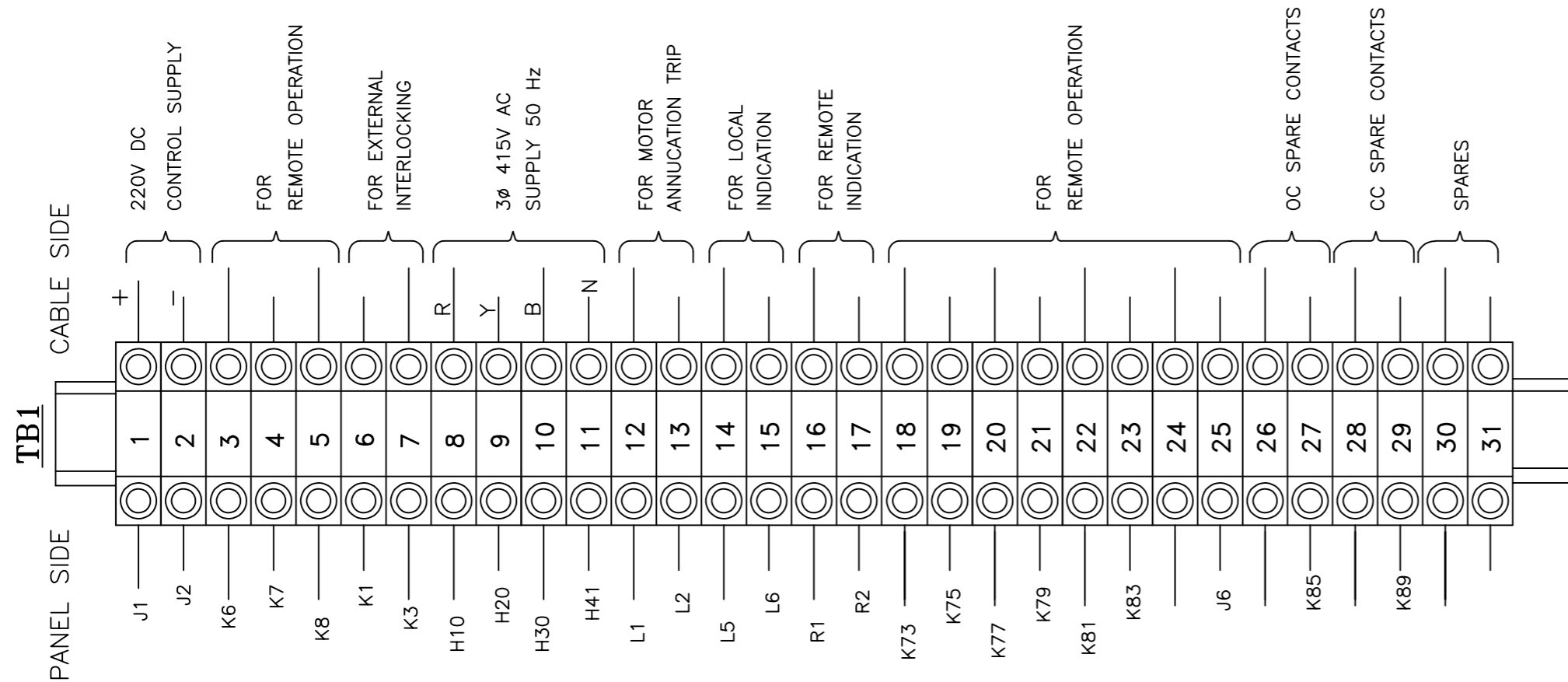
			270
			765
REV	DATE	CHANGES MADE	SIG

NOTE: 1. Drawings Approval subject to valid type test reports, to be checked during acceptance tests.
 2. For EPC contractors only.



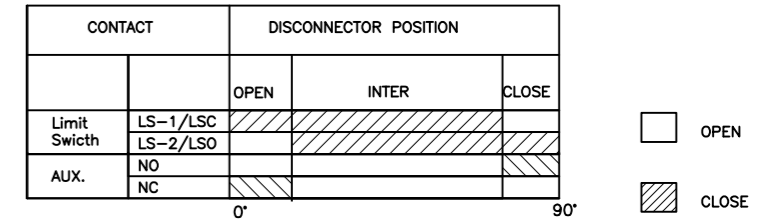
Drawing approval subject to valid vendor registration

AUX. SWITCH TERMINAL DETAILS (8NO+8NC)
TERMINAL BLOCK DETAILS



TERMINAL BLOCK FOR DC & AC

CONTACT DEVELOPMENT DIAGRAM




CHIEF ENGINEER/PROJECTS
APTRANSCO/VS/VIJAYAWADA

DRN	YVG	07.07.23	SWITCHGEAR MANUFACTURING COMPANY GANDRAJUPALLE, CHITTOOR DIST, A.P, INDIA.	
CHKD	VK	07.07.23		
APPD	OJA	07.07.23	TERMINAL BLOCK DETAILS (FOR DISCONNECTOR CONTROL PANEL)	
DEPT	SIGN	DATE		
SC: NTS	Paper size A3	DRG.NO. S T D - 2 4 5 3 0 0 4	SHEET 2 of 2	REV. 0

NOTE:- THIS COMPLETE SET OF DRAWINGS ARE REPRESENTATIVE OF THE LATEST TYPE TEST REPORT AND PROPRIETARY DESIGN, RESEARCH & DEVELOPMENT OF SWITCHGEAR MANUFACTURING COMPANY PVT. LTD. GANDRAJUPALLE. THE DESIGNS SHALL NOT BE REPRODUCED WITHOUT WRITTEN CONSENT OF SWITCHGEAR MANUFACTURING COMPANY PVT. LTD. GANDRAJUPALLE.

NOTE: 1. Drawings Approval subject to valid type test reports, to be checked during acceptance tests.
 2. For EPC contractors only.

			271
			765
REV	DATE	CHANGES MADE	SIG



SWITCHGEAR MANUFACTURING COMPANY

GANDRAJUPALLE, CHITTOOR DIST, AP, INDIA

CUSTOMER	TRANSMISSION CORPORATION OF ANDHRA PRADESH LIMITED		
SL.No.	(*)	TYPE	DBR
VOLTAGE (kV)	245	CURRENT (Amps)	2000
STC (kA-sec-kAp)	40-3-100	IMPULSE (kVp)	1050
DC VOLTAGE (V)	220	PF VOLTAGE (kV)	460
OPERATING DEVICE	MOTOR	FREQUENCY (Hz)	50
YEAR	(**)		

Drawing approval subject to valid vendor registration

CHIEF ENGINEER/PROJECTS
APTRANSCO/VS/VIJAYAWADA


FOR DISCONNECTOR

(**) TO BE MARKED AT THE TIME OF MANUFACTURING

NOTE:

1. ALL DIMENSIONS ARE IN MM
2. MATERIAL : ALUMINIUM ALLOY
3. TOLERANCE AS PER GA DRAWING
4. LETTER ITCHED ON BLACK BACKGROUND

1. Minimum 300mm plinth shall be maintained for CT/PT/CVT/Isolators/IV/LA/Breakers in the substation during foundation works to ensure safe live to ground clearance per IE rules.
2. Since the supply of terminal connectors is not in the scope of manufacturer as mentioned in the drawings. The EPC contractor shall be instructed to supply the same line with CT/PT/CVT/Isolator/IVT/LA/Breaker's requirement and compatibility.

DRN	YVG	07.07.23		SWITCHGEAR MANUFACTURING COMPANY
CHKD	VK	07.07.23		GANDRAJUPALLE, CHITTOOR DIST, A.P, INDIA.
APPD	OJA	07.07.23		TITLE
DEPT	SIGN	DATE		NAME PLATE DETAILS
	SC: NTS	Paper size A3		FOR 245KV DBR DISCONNECTOR
DRG.NO. S T D - 2 4 5 3 0 0 5			SHEET 1 of 1	REV. 0

CUSTOMER	: TRANSMISSION CORPORATION OF ANDHRA PRADESH LIMITED
----------	--

GUARANTEED TECHNICAL PARTICULARS FOR 245kV DOUBLE BREAK DISCONNECTOR

CHIEF ENGINEER/PROJECTS
APTRANSCO/VS/VIJAYAWADA

SL. No	Description	Unit	Particulars
1.	Manufacturer's Name & Address of manufacture		Switchgear Manufacturing Company Pvt. Ltd, Gandrajupalle, ChittoorDist
2.	Type Designation		Horizontal Double Break, DBR
3.	Applicable Standard		IS: 9921 (Part I to V) / IEC: 62271-102
4.	Rated voltage	(kV)	245
5.	Rated Frequency	(Hz)	50
6.	Outdoor / Indoor		Outdoor
7.	Whether all three poles are ganged together mechanically / electrically		Mechanically ganged
8.	Rated normal current		
	a) Under normal condition as per IS/ IEC	(Amps)	2000Amps
	b) Under site conditions	(Amps)	2000
9.	Rated short time withstand current for 3 sec. for Isolator & Earth switch	(kA rms)	40
10.	Rated peak withstand short circuit current for Isolator & Earth switch	kAp	100
11.	Rated short circuit making current	KA	For No-load operated Isolator making current is not applicable. But shall carry peak short circuit current of 100kAp
12.	Rated Magnetizing current / Capacitive current make/break capacity at 0.15% p.f.	(Amp)	0.7 Amps at 0.15 Pf (Assigned value)
13.	Temperature rise over ambient temperature 50°C at site corresponding to		
	a) Maximum continuous current	(°C)	Within 55 °C
	b) Short time current	(°C)	
14.	Rated Insulation level		
	a) 1.2/50 microsecond lightning impulse withstand voltage (+ve or -ve polarity)		
	i) To earth	KV(peak)	± 1050
	ii) Across the open Isolator	KV(peak)	
	- One terminal lightning Impulse		± 1200
	- Opposite terminal power frequency		Not Applicable
	b) 250 / 2500 microsecond switching impulse withstand voltage		
	i) To earth	KV(peak)	Not Applicable
	ii) Across the open Isolator		
	- One terminal lightning Impulse	KV(peak)	Not Applicable
	- Opposite terminal power frequency	KV(peak)	Not Applicable
	c) One minute power frequency withstand voltage		
	i) To earth	KV (rms)	460
	ii) Across the terminals of open Isolator	KV (rms)	530
15.	Corona extinction voltage	KV (rms)	156
16.	Radio Interference voltage at 0.5 MHz and 2 MHz at 156 kV (rms)	(micro-volt)	1000 mV at 156 kV (rms)
17.	Rated mechanical terminal loads		
	a) Longitudinal (or straight)	N	800
	b) Transverse (or cross)	N	270

7653995/2023/EEMRT-ENE51

2.For EPC contractors only.

SWITCHGEAR MANUFACTURING COMPANY PVT. LTD

CUSTOMER		: TRANSMISSION CORPORATION OF ANDHRA PRADESH LIMITED	
18.	Total operating time		
	a) Opening time of Isolator	(Sec.)	12 sec. or less
	b) Closing time of Isolator	(Sec.)	12 sec. or less
19.	Main contacts (Fixed and Moving) of Isolator		
	a) Type		Main switch: High Pressure, Reverse Loop, Pressure relieving Type with Turn & Twist Design
	b) Material		Hard Drawn Electrolytic copper (HDEC)
	c) Whether contacts silver plated		Yes (Contact surface)
	d) Thickness of silver coating	microns	15 microns
	e) Contact area	mm ²	Line Contact
	f) Contact pressure	(Kg/ mm ²)	4kg/cm ² per Finger
	g) Current density(at minimum cross section of switch blade)		
	(i) Moving blade (Cu)	A/mm ²	1.89
	(ii) Terminal pad (Al)	A/mm ²	1
	(iii) Contacts (Cu)	A/mm ²	1.56
	(iv) Terminal connectors (Al) (Contractor Scope)	A/mm ²	1.0
	h) No. of operations which the Isolator can make without deterioration of contacts	Nos.	1000 (min)
20.	AUXILIARY CONTACTS		
	a) MAIN ISOLATOR		
	(i) Total number of 'NO'(for Purchaser's use)	Nos.	8
	(ii) Total number of 'NC'(for Purchaser's use)	Nos.	8
	(iii) Rated voltage	(Volts)	220V DC
	(iv) Rated continuous current	(Amps)	10A
	(v) Rated breaking current	(Amps)	2A DC
21.	Minimum clearance in air:		
	a) Phase to Phase clearance	mm	4500 (Center to Center)
	b) Phase to Ground clearance	mm	2300(Equal to the height of insulator selected)
	c) Between phases when isolator is open:	mm	3200(Center to Center)
22.	Bearings		
	a) Types of bearings		Deep Groove ball bearing
	b) Locations of bearings		Below the rotating post insulator
	c) Type of lubricant for bearings		Heavy Duty Grease

Drawing approval subject to valid vendor registration

CHIEF ENGINEER/PROJECTS
APTRANSCO/VISVIJAYAWADA

acceptance tests.

7653995/2023/EEMRT-ENE51

2.For EPC contractors only.

SWITCHGEAR MANUFACTURING COMPANY PVT. LTD

CUSTOMER	:	TRANSMISSION CORPORATION OF ANDHRA PRADESH LIMITED
----------	---	--

23.	Terminal Clamp & Connectors		Drawing approval subject to valid vendor registration Not in scope of Switchgear Manufacturing Company CHIEF ENGINEER/PROJECTS APTRANSCO/VS/VIJAYAWADA
	a) Manufacturer's Name		
	b) Applicable standard		
	c) Material		
	i. Clamp body		
	ii. Bolts & nuts		
	iii. Spring washers		
	d) Rated current	Amp	
	e) Rated terminal load	Kg.	
	f) Weight of clamp complete with hard ware	Kg.	
	g) Radio interference voltage	(micro-volts)	
	h) Corona extinction voltage	kV	
	i) Maximum allowable span for Aluminium Tube with outer diameter of 114.2 mm and inside diameter of 97.18 mm on equipment terminal and with rated fault current and 7 m & 4.5 m phase to phase spacing		
24.	Operating Mechanism		
	a) Name & address of manufacturer		Switchgear Manufacturing Company Pvt. Ltd, Gandrajupalle, ChittoorDist
	b) Type of operating mechanism		Main switch: Motor with Manual Handle for Emergency operation
	c) Whether separate operating mechanism provided for operation of Isolator pole		Yes
	d) Electrical operation.		
	i) Motor type (AC / DC)		3 Phase, 415 V, 50 Hz, Squirrel Cage AC Induction motor
	ii) Applicable standard		IS : 325 & IS : 996
	iii) Rated - voltage and current, HP		415 Volt, 1.12 Amps, 0.5 H.P
	iv) Type of enclosure and method of cooling		Totally enclosed, self-ventilating
	v) Power required for closing and opening operation	Watts	373
	vi) Running time for motor for closing and opening operation	(sec.)	Less than 12 secs
	vii) Control supply for motor (volt), power, consumption	Volt, Amp	220 Volt DC 35 Watts
	e) Type of manual operating mechanism for Isolator pole		Main switch: Reduction gear for smoothly controlled movement during the entire operation cycle.
	f) Force required to operate		30 Kg-m.
	g) Whether padlocking are in included as per the specification		Provision is made
	h) Type of manual device		Torsional
	i) Weight of operating mechanism (Approx.)	kg	Motor Operating Mechanism Box - - 70kg (Approx)
25.	Type of interlocking between isolator and earthing switch		
	a) Resistance of operating and Interlock coils	kΩ	-
	b) Details of following interlocks provided as per specification		

acceptance tests.

7653995/2023/EEMRT-ENE51

2.For EPC contractors only.

SWITCHGEAR MANUFACTURING COMPANY PVT. LTD

CUSTOMER	:	TRANSMISSION CORPORATION OF ANDHRA PRADESH LIMITED
	i) Mechanical interlock between Isolator and earth switch	NA
	ii) Electrical interlock for Isolator and earth switch	NA
	iii) Electrical interlocking in association with circuit breaker	NA
	iv) Electrical interlock to bring back all three poles to open position in case any pole fails to close within specified time.	NA
	v) Provisions to cut-off supply to the motor during manual operation and provision for de-coupling the motor.	NA
	vi) Electrical scheme to provide remote alarm for pole discrepancy	NA
	vii) Arrangement provided to prevent electrical or manual operation unless interlock is satisfied.	NA
26.	Control Cabinet / Marshalling box/MOM Panel	
	a) Name & address of Manufacturer	Switchgear Manufacturing Company Pvt. Ltd, Gandrajupalle, ChittoorDist
	b) Applicable Standard	IS: 5039 / IS: 8623, IEC: 60439
	c) Sheet thickness (mm) Top/Bottom/Side//Back/Door Leaf	mm Aluminium, 3mm thick
	d) Degree of protection provided	IP - 55
	e) Colour of finish paint	
	i) Outside	Light Admiral Grey in accordance with shade No. 631 of IS: 5
	ii) Inside	
	f) Control wiring	
	(i) Current & Voltage rating	A, V 10 A & 1100 V
	(ii) Size and Material of conductor	2.5 sq.mm Stranded copper wires
	g) Terminal blocks	
	(i) Name & address of Manufacturer	Elmex or connectwell
	(ii) Current & Voltage rating	A, V 10 A & 1100 V
	h) Space heater rating at 240 volts	(Watts) 80 watts
	i) Provision of lock with keys	Yes/No Yes
	j) Dimensioned drawing (External & Internal)	Yes/No Yes
	k) Control cabinet / marshaling Box internal lighting lamp and door switch for controlling.	Provision for Bulb Holder and control by Door Switch shall be provided. Suitable Bulb shall be provided by Contractor
	l) Weight	kg 70 Kgs (Approx.)
	m) Plinth Mounted / Structure mounted.	Structure Mounted

Drawing approval subject to valid vendor registration

CHIEF ENGINEER/PROJECTS
APTRANSCO/VIS/VIJAYAWADA

CUSTOMER	:	TRANSMISSION CORPORATION OF ANDHRA PRADESH LIMITED
----------	---	--

27.	A. Tandem Pipe		
	a) Size		32NB
	b) Class		Class 'B'
	c) Material		G.I. Pipe
	d) Applicable Standard		IS: 1239 (Part I), 1990 & IS: 4736, 1986
	e) Weight of Zinc	(gm/sq.m ²)	360
	B. Down Pipe		
	a) Size (Internal / External dia)	(mm)	50NB
	b) Class		Class 'B'
	c) Material		G.I. Pipe
	d) Applicable Standard		IS: 1239 (Part I), 1990 & IS: 4736, 1986
	e) Weight of Zinc	(gm/sq.m ²)	360
28.	Size and Weight		
	a) Weight of each pole (without Insulators)	Kgs. (Approx.)	Please refer GA drawing
	b) Space requirement i.e. length		
	c) Dimensions		
	(i) 3 Phase Isolator		
	(ii) Isolator -cum-Earthing Switch (mm x mm x mm)	mm	
	d) Size of largest part		
29.	INSULATORS		Not in scope of Switchgear Manufacturing Company

For Switchgear Manufacturing Company Pvt. Ltd



Authorized Signatory

Drawing approval subject to valid vendor registration

**CHIEF ENGINEER/PROJECTS
APTRANSCO/VISVIJAYAWADA**

1. Minimum 300mm plinth shall be maintained for CT/PT/CVT/Isolators/IV/LA/Breakers in the substation during foundation works to ensure safe live to ground clearance per IE rules.
2. Since the supply of terminal connectors is not in the scope of manufacturer as mentioned in the drawings. The EPC contractor shall be instructed to supply the same line with CT/PT/CVT/Isolator/IVT/LA/Breaker's requirement and compatibility.