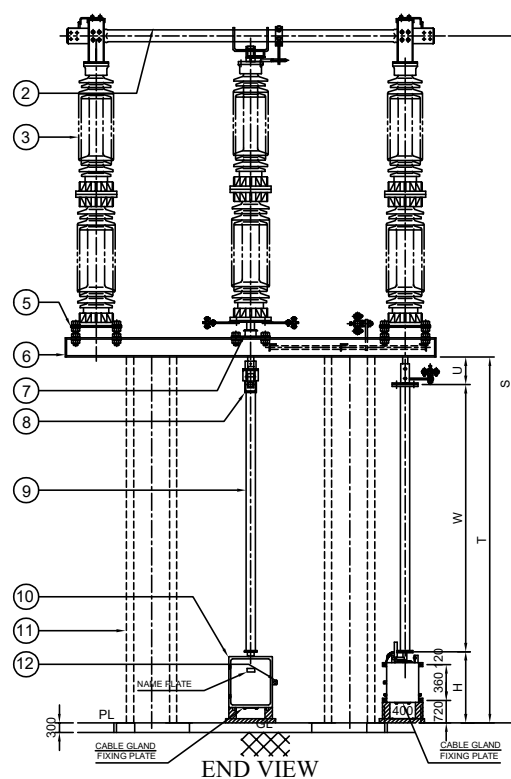
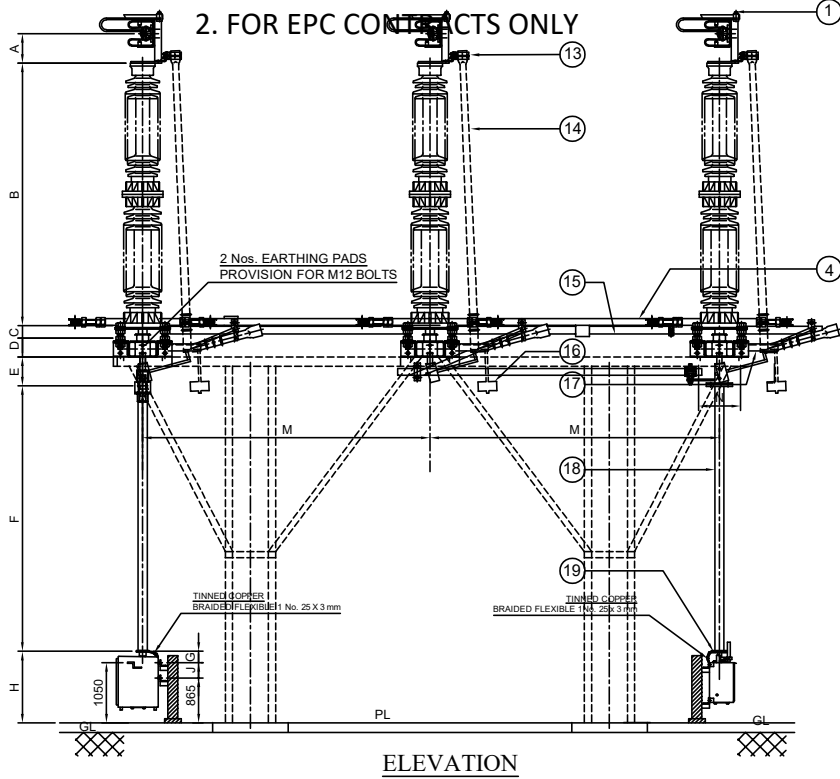
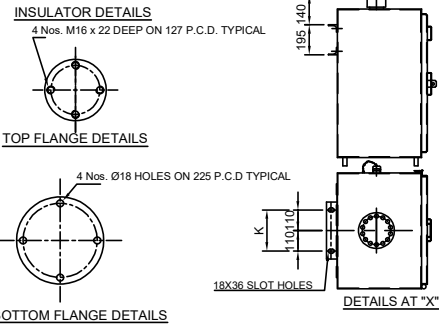
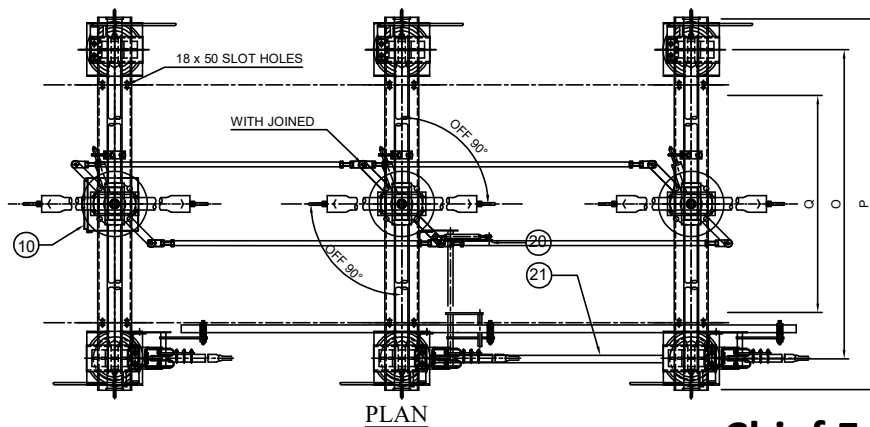


NOTE: 1. DRAWING APPROVAL SUBJECT TO VALID TYPE TEST REPORTS, TO BE CHECKED DURING ACCEPTANCE TESTS

2. FOR EPC CONTRACTS ONLY



Drawing approval subject to valid vendor registration



PART LIST:

1. FIXED CONTACT ASSEMBLY
2. MOVING CONTACT ASSEMBLY
3. INSULATOR STACK (NOT IN OUR SCOPE OF SUPPLY)
4. TANDEM PIPE (32 NB, G.I. PIPE)
5. ELEVATOR PLATE (12 mm THICK)
6. BASE CHANNEL (150 x 75 x 5 mm THICK MS CHANNEL)
7. ROTATING SHAFT WITH LEVER ARM & CLAMP (M.S. HOT DIP GALVANIZED)
8. UNIVERSAL JOINT ARRANGEMENT
9. DOWN OPERATING PIPE (50 NB, G.I. PIPE)
10. OPERATING MECHANISM FOR M.S. (MOTOR)
11. SUPPORTING STRUCTURE (NOT IN OUR SCOPE OF SUPPLY)
12. PROVISION FOR PADLOCK
13. E.S. FIXED CONTACT ASSEMBLY
14. E.S. MOVING CONTACT ASSEMBLY
15. E.S. TANDEM PIPE (32 NB, G.I. PIPE)
16. COUNTER WEIGHT
17. TOP OPERATING MECHANISM FOR E.S.
18. E.S. DOWN OPERATING PIPE (50 NB, G.I. PIPE)
19. OPERATING MECHANISM FOR E.S. (MANUAL)
20. MECHANICAL INTERLOCK BETWEEN M.S. & E.S.
21. AUX. TANDEM PIPE (32 NB G.I. PIPE)

6 Nos.	721
3 Nos.	
9 Nos.	
2 Nos.	
6 Nos.	
3 Nos.	
3 Nos.	
1 No.	
1 No.	
1 No.	
1 Set.	
2 Nos.	
3 Nos.	
3 Nos.	
1 No.	
3 Nos.	
1 No.	
1 No.	
1 No.	
1 No.	

REFERENCE DRAWINGS:

FOR ISOLATOR CONTACT DETAILS (800A)	4. GRM APT 02
FOR EARTH SWITCH CONTACT DETAILS	4. GRE APT 03
FOR OPERATING MECHANISM DETAILS (M.S.)	4. GM APT 04
FOR SCHEMATIC DIAGRAM DETAILS (M.S.)	4. GM APT 05
FOR OPERATING MECHANISM DETAILS (E.S.)	4. GN APT 06
FOR NAME PLATED DETAILS	4. GZ APT 07
FOR MECHANICAL INTERLOCK DETAILS	4. GZ APT 08

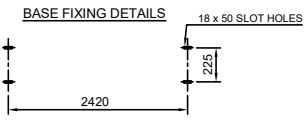
Thickness of Silver plating : 15 Microns Minimum

NOTES:

1. ALL DIMENSIONS ARE IN MILLIMETERS
2. ALL FERROUS PARTS ARE HOT DIP GALVANIZED (87 MICRONS)
3. ALL NON-FERROUS CONTACT POINTS ARE SILVER PLATED (25 MICRONS)
4. THE INDICATED DIMENSIONS ARE SUBJECT TO THE MANUFACTURING TOLERANCE:
UP TO 50 mm ---±3%; 51 TO 100 mm ---±2%;
101 TO 300 mm ---±1%; ABOVE 300 mm ---±0.5%;
5. SHORT TIME CURRENT RATING 40 KA rms. FOR 3 Sec.
6. APPLICABLE STANDARD : IS/IEC 62271 - 102
7. ROTATING STOOL BASE HAVING 2 Nos. SEALED BALL BEARINGS OF ADEQUATE SIZE
8. INSULATOR BOTTOM 225 P.C.D. AND TOP 127 P.C.D.
09. SUPPORT STRUCTURE & INSULATORS INCLUDING FIXING HARDWARE NOT IN OUR SCOPE OF SUPPLY

ELECTRICAL PARAMETERS

1. NOMINAL SYSTEM VOLTAGE : 220 kV
2. HIGHEST SYSTEM VOLTAGE : 245 kV
3. P.F. WITHSTAND VOLTAGE : 460 kV rms
4. IMPULSE WITHSTAND VOLTAGE : 1050 kV PEAK



WEIGHT:

NET WEIGHT OF THE ISOLATOR MATERIALS EXCLUDING INSULATOR : 950 Kg. (Approx.)

Chief Engineer/Projects
APTRANSCO/VIS/Vijayawada.

REVISIONS				
D	C	B	A	

TITLE: **G.A. OF 220 kV, 800 A, TP, HDB, RT, ISOLATOR WITH ONE E.S.**

SCALE: N.T.S.	
DATE	21-03-2023
DRAWN	
CHECKED	
APPROVED	
DRG.NO:	3. GR APT 01
REV	



GR POWER SWITCHGEAR LTD.,
JEEDIMETLA HYDERABAD-500 055 INDIA

DIMENSIONS																							
A	B	C	D	E	F	G	H	I	J	K	L	M	N	O	P	Q	R	S	T	U	V	W	X
175	2300	75	150	205	1395	140	1200	NA	195	220	NA	4500	225	3200	3600	2420	NA	5500	2800	175	NA	1425	NA

FIXED CONTACT ASSEMBLY:

**NOTE: 1. DRAWING APPROVAL SUBJECT TO VALID TYPE TEST REPORTS, TO BE CHECKED DURING ACCEPTANCE TESTS
2. FOR EPC CONTRACTS ONLY**

PART LIST:

1. HOOD (18 SWG M.S. HDG)
2. ARCING HORNS (Ø10 ROD M.S. HDG)
3. SPRINGS (Ø2 mm STAINLESS STEEL.)
4. SUPPORTING CHANNEL (100 x 40 mm M.S. HDG)
5. JAWS (32 x 4 HDEC STRIP 2 Nos. SILVER PLATED)
6. JUMPER PLATE (75 x 12 ALU. FLAT)
7. SPACER (ALUMINUM)
8. MOVING CONTACT ARM (38 OD x 30 ID CU. TUBE)
9. MC SUPPORT WITH NYLON BUSH
10. CENTER MECHANISM (M.S. HDG, TURN & TWIST MECHANISM)
11. ARCING HORN FOR MOVING CONTACT (Ø10 ROD M.S. HDG)
12. BI-METALLIC SHEET (2 mm THICK Alu. + Cu.)

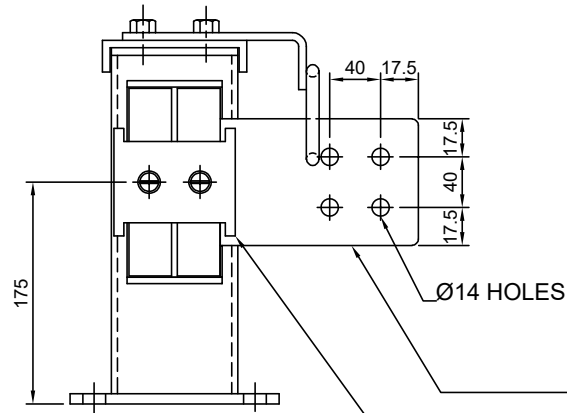
183
BOQ
721
06 Nos
06 Nos
24 Nos
06 Nos
06 Nos
12 Nos
06 Nos
06 Nos
06 Nos
03 Nos
06 Nos
03 Nos
06 Nos
06 Nos

NOTE:

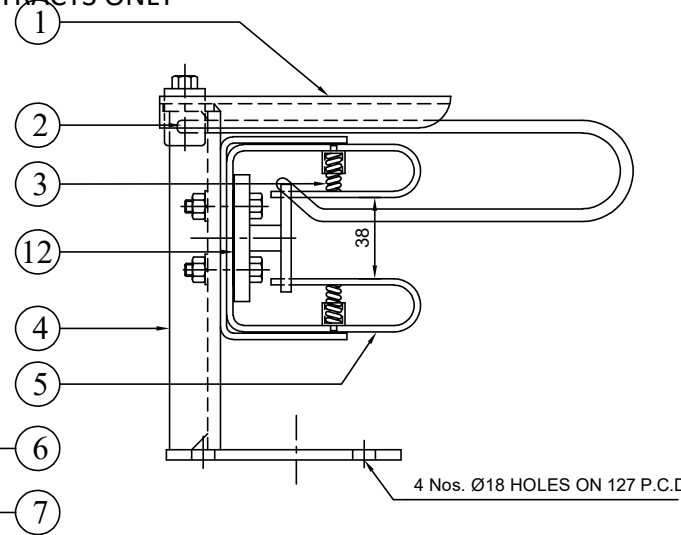
1. ALL DIMENSIONS ARE IN MILLIMETER
2. ALL FERROUS PARTS ARE HOT DIP GALVANIZED
3. ALL NON-FERROUS CONTACT POINTS ARE SILVER PLATED
MICRONS REMAINING CONTACT AREA TIN PLATED.
4. THE MOVING CONTACT ASSEMBLY SHOWN FOR TURN & TWIST ASSEMBLY

Thickness of Silver plating : 15 Microns Minimum

**Chief Engineer/Projects
APTRANSCO/VS/Vijayawada.**

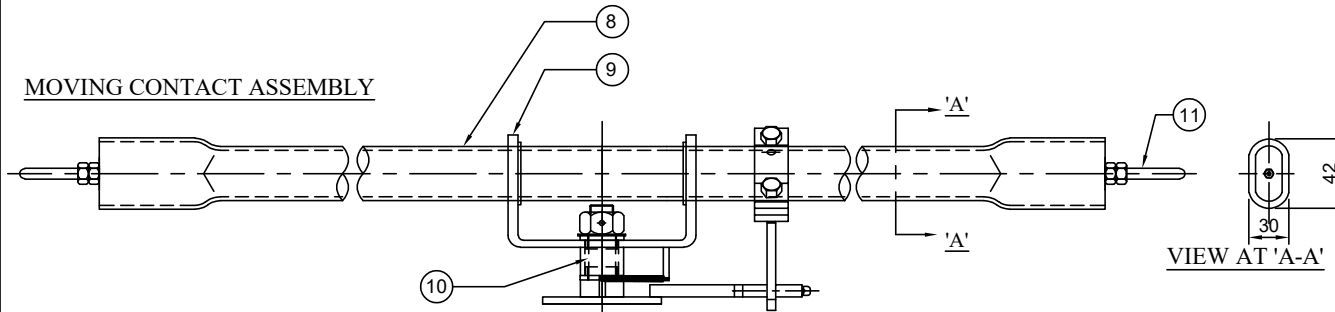


ELEVATION



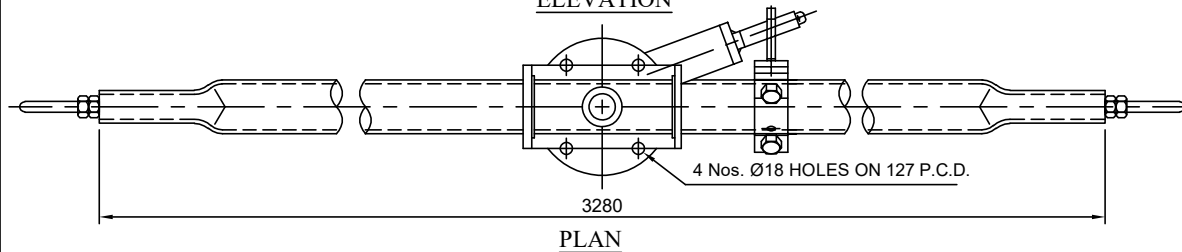
END VIEW

MOVING CONTACT ASSEMBLY



ELEVATION

VIEW AT 'A-A'



PLAN

Drawing approval subject to valid vendor registration

REVISIONS

D	C	B	A

TITLE:

**MAIN SWITCH CONTACT ASSEMBLY
(FOR 220 kV 800 Amps)**

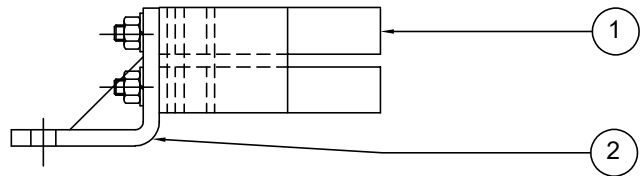
SCALE:N.T.S	
DATE	21/03/2023
DRAWN	
CHECKED	
APPROVED	



**GR POWER SWITCHGEAR LTD.,
JEEDIMETLA HYDERABAD-500 055 INDIA**

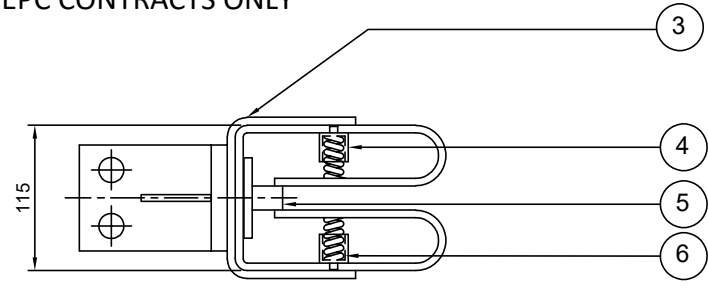
DRG.NO:	REV
4. GRM APT 02	

FIXED CONTACT ASSEMBLY:



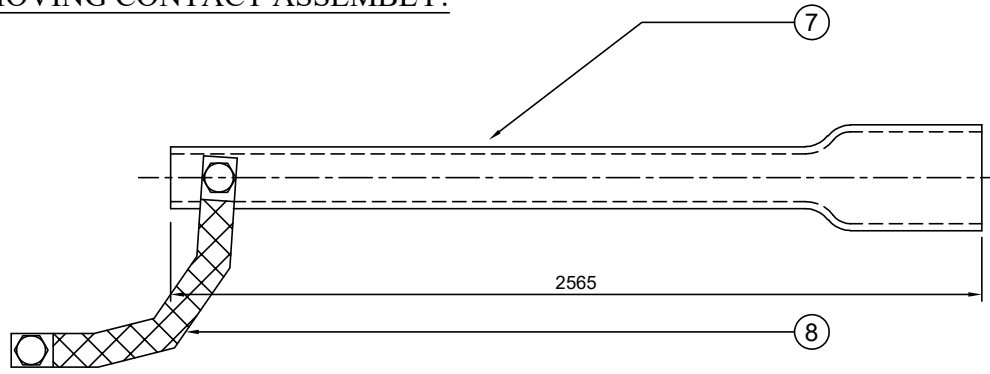
ELEVATION

NOTE: 1. DRAWING APPROVAL SUBJECT TO VALID TYPE TEST REPORTS, TO BE CHECKED DURING ACCEPTANCE TESTS
2. FOR EPC CONTRACTS ONLY



PLAN

MOVING CONTACT ASSEMBLY:



Drawing approval subject to valid vendor registration

PART LIST:

1. JAWS (2 Nos. 32 x 4 mm, Cu. FLAT SILVER PLATED)
2. F.C. SUPPORT PLATE (M.S. HDG)
3. JAW BRACKET (M.S. HDG)
4. SPRING HOLDER BUSH (NYLON)
5. SPACER (AL)
6. SPRINGS (14 SWG S.S. WIRE)
7. MOVING CONTACT ARM (38 OD x 30 ID CU. PIPE)
8. COPPER FLEXIBLE (25 x 4 mm, 4 Nos)

NOTE:

1. ALL DIMENSIONS ARE IN MILLIMETER
2. ALL FERROUS PARTS ARE HOT DIP GALVANIZED
3. ALL NON FERROUS CONTACT POINTS ARE SILVER PLATED
- MICRONS REMAINING CONTACT AREA TIN PLATED

Thickness of Silver plating : 15 Microns Minimum

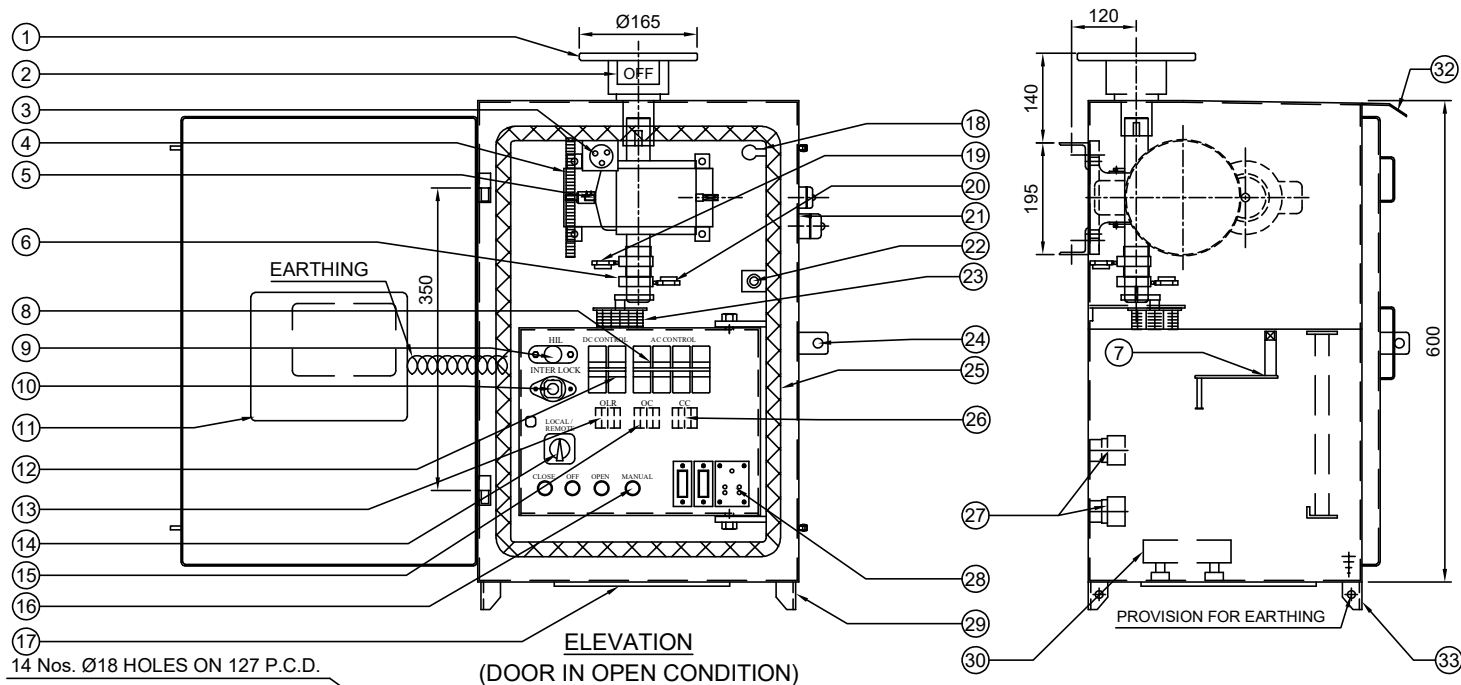
**Chief Engineer/Projects
APTRANSCO/VS/Vijayawada.**

REVISIONS			
D	C	B	A

TITLE:
EARTH SWITCH CONTACT ASSEMBLY
(FOR 220 kV EARTH SWITCH)

GR POWER SWITCHGEAR LTD.,
JEEDIMETLA HYDERABAD-500 055 INDIA

SCALE:N.T.S	
DATE	21-03-2023
DRAWN	
CHECKED	
APPROVED	
DRG.NO:	4. GRE APT 03
REV	



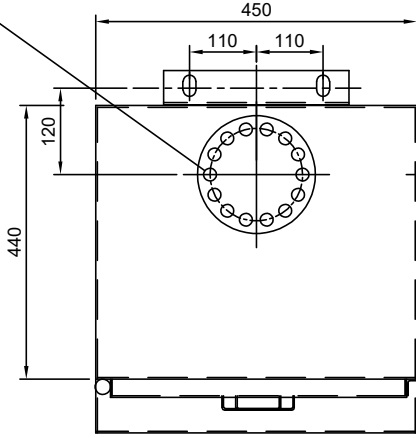
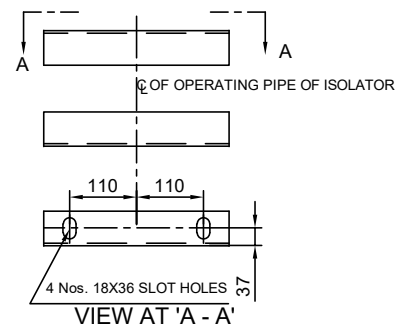
- PART LIST:**
- OUTPUT FLANGE (8 mm THICK, 14 HOLES)
 - ON/OFF INDICATOR
 - THERMOSTAT (30 TO 85°C RECOMMENDED SETTING 40°)
 - GEAR BOX (SPUR / WORM & WORM SHAFT, RATIO 1 : 630)
(MATERIAL : EN8 / FORGED STEEL)
 - MOTOR (Ø3, 415 Volts, 0.5 HP MOTOR)
 - LIMIT SWITCH OPERATING CAM
 - OPERATING HANDLE FIXED TO DOOR
 - AC CONTROL SWITCH (4 POLE MCB) S1
 - PUSH CAP (FOR HIL)
 - HANDLE INTERLOCK (HIL)
 - SCHEMATIC DIAGRAM PLATE
 - DC CONTROL SWITCH (2 POLE MCB) S2
 - OVER LOAD RELAY CUM SINGLE PHASE PREVENTOR (OLR)
 - LOCAL/REMOTE SWITCH (S3)
 - OPENING CONTACTOR (OC)
 - OPEN / CLOSE / MANUAL / OFF PUSH BUTTON (PBO / PBC / PBH / EPB)
 - DETACHABLE CABLE GLANDS FIXING PLATE (WITH OUT GLANDS)
 - CUBICLE LAMP HOLDER
 - LIMIT SWITCH (LSO)
 - LIMIT SWITCH (LSC)
 - CUBICLE WITH DOOR (3 mm THICK ALU SHEET)
 - DOOR OPERATED LIGHT SWITCH (LS)
 - AUX. SWITCH (12 NO + 12 NC)
 - PROVISION FOR PAD LOCK
 - RUBBER GASKET (EPDM)
 - CLOSING CONTACTOR (CC)
 - TERMINAL BLOCK (UBT - 4 TYPE OF ELMEX OR ITS EQUIVALENT)
 - HEATER / POWER SOCKET SWITCHES (HS,PSS)
 - BOX SUPPORT
 - HEATER, 80 WATTS, 240 V
 - MANUAL OPERATING CAP / COVER
 - RAIN SHADE
 - PROVISION FOR EARTHING TERMINALS

14 Nos. Ø18 HOLES ON 127 P.C.D.

ELEVATION
(DOOR IN OPEN CONDITION)

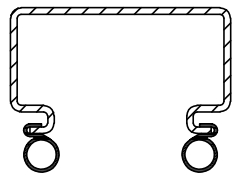
LEFT SIDE VIEW
(DOOR IN CLOSE CONDITION)

FIXING DETAILS FOR SUPPORTING STRUCTURE



PLAN

GASKET DETAILS

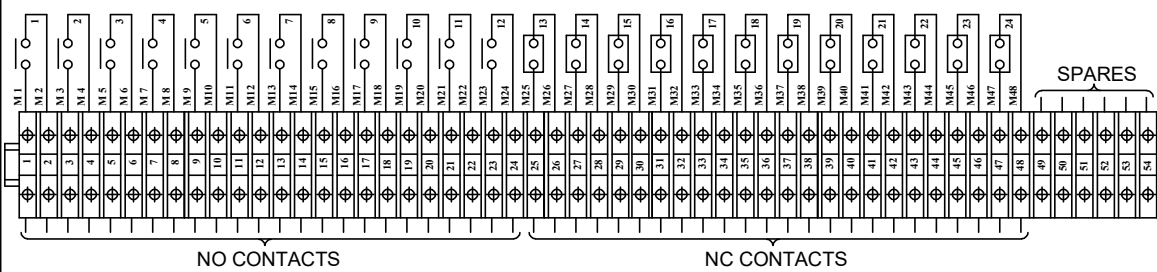


Drawing approval subject to valid vendor registration

NOTE :

- ALL DIMENSIONS ARE IN MILLIMETERS
- CUBICLE WILL BE NATURAL ALUMINIUM FINISH FOR INSIDE AND OUTSIDE.
- DEGREE OF PROTECTION IP:55 AS PER IS/IEC 60529
- 20% SPARE TERMINALS WILL BE PROVIDED
- WIRING WILL BE DONE WITH 1100 V. GRADE
 - FOR POWER CIRCUIT (AC SUPPLY) : 2.5 Sq.MM Cu. STRANDED
 - FOR AUXILIARY CIRCUIT (DC SUPPLY) : 2.5 Sq.MM Cu. STRANDED P.V.C. INSULATED CONDUCTOR
- WEIGHT OF THE BOX : 80 Kg (Approx.)
- LUBRICATION OF GEARS : NON HARDENED GREASE FILLED GEAR BOX

AUX. SWITCH CONTACT DETAILS FOR ISOLATOR
(12 NO / 12 NC)



REVISIONS				
D	C	B	A	

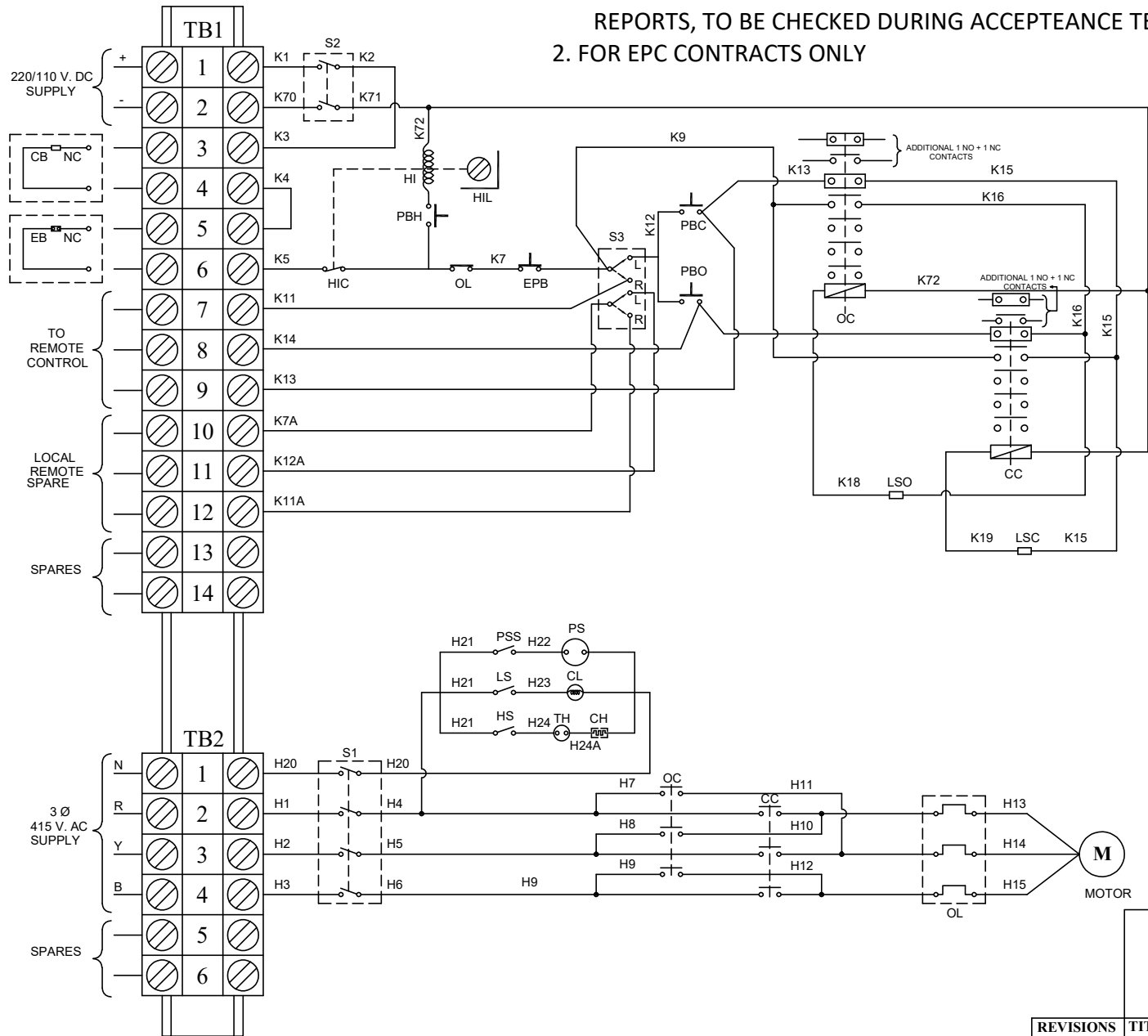
TITLE:
GENERAL ARRANGEMENT OF MOTOR OPERATING MECHANISM FOR 220 KV M/S.

SCALE:N.T.S	
DATE	21-03-2023
DRAWN	
CHECKED	
APPROVED	
DRG.NO:	4. GM APT 04
REV	



GR POWER SWITCHGEAR LTD.,
JEEDIMETLA HYDERABAD-500 055 INDIA

NOTE: 1. DRAWING APPROVAL SUBJECT TO VALID TYPE TEST REPORTS, TO BE CHECKED DURING ACCEPTANCE TESTS
2. FOR EPC CONTRACTS ONLY



LEGEND	DESCRIPTION	MAKE	186
HIC	HANDLE INTERLOCK CONTACT	SWITRON/RECOM	721
M	MOTOR 3Ø 415 V. 0.5 HP	REMI/ELECEN/HEMAL/HINDUSTAN	
CH	CUBICLE HEATER 80 WATTS	KONTACT/RAMANA ELECT.	
S1	A.C. SUPPLY CONTROL SWITCH, 16 A MCB	SCHNEIDER/C&S/SIEMENS/CHINT	
S2	D.C. SUPPLY CONTROL SWITCH, 10 A MCB	SCHNEIDER/C&S/SIEMENS/CHINT	
S3	LOCAL/REMOTE SELECTOR SWITCH 16 A	SWITRON/RECOM	
OC,CC	OPEN/CLOSE CONTACTORS, 9 A	SCHNEIDER/C&S/SIEMENS/CHINT	
OL	OVER LOAD RELAY WITH SPP 1.0 TO 1.6 A	SCHNEIDER/C&S/SIEMENS/CHINT	
PBO,PBC	OPEN/CLOSE PUSH BUTTONS, 4 A	C&S/JAIBALAJI/VAISHNO/SIEMENS/TECHNIC	
LSO,LSC	OPEN/CLOSE LIMIT SWITCHES, 10 A	JAI BALAJI/MANI	
PBH	MANUAL HANDLE PUSH BUTTONS, 4 A	C&S/JAIBALAJI/VAISHNO/SIEMENS/TECHNIC	
EPB	EMERGENCY PUSH BUTTON, 4 A	C&S/JAIBALAJI/VAISHNO/SIEMENS/TECHNIC	
HI	HANDLE INTERLOCK COIL, 20 WATTS	SELMECH/GRPS	
HIL	MANUAL HANDLE KEY INTERLOCK	PSI/EE	
LS,PSS,HS	LIGHT, SOCKET, HEATER SWITCHES, 5A	MARU OR ITS EQUIVALENT	
CL	CUBICLE LAMP HOLDER	MARU OR ITS EQUIVALENT	
PS	POWER SOCKET, 5A	MARU OR ITS EQUIVALENT	
TB	TERMINAL BLOCKS (UBT-4)	ELMEX / CONNECTWELL / VIN MECH	
TH	THERMOSTAT	BEPL	

OPERATING INSTRUCTIONS:

- DON'T OPERATE THE ISOLATOR WHEN THE 'CIRCUIT BREAKER' IS IN 'ON'
- ISOLATOR OPERATION IS POSSIBLE ONLY WHEN THE INTERLOCK CONDITIONS ARE SATISFIED.
- FOR MANUAL OPERATION FOLLOW THE FOLLOWING INSTRUCTIONS:-
 - BY PRESSING THE PUSH BUTTON (PBH) REMOVE THE CASTLE KEY AND KEEP THE KEY IN HANDLE LOCK AND ROTATE FOR GETTING WAY TO INSERT THE OPERATING HANDLE.
 - INSERT THE OPERATING HANDLE AND ROTATE IN CLOCK / ANTI CLOCK WISE DIRECTIONS FOR TO OPEN / CLOSE THE ISOLATOR.
 - IF MANUAL OPERATION IS NOT NEEDED RESTORE THE CASTLE KEY IN THE HANDLE INTERLOCK AND ROTATE.

Drawing approval subject to valid vendor registration

**Chief Engineer/Projects
APTRANSCO/VS/Vijayawada.**

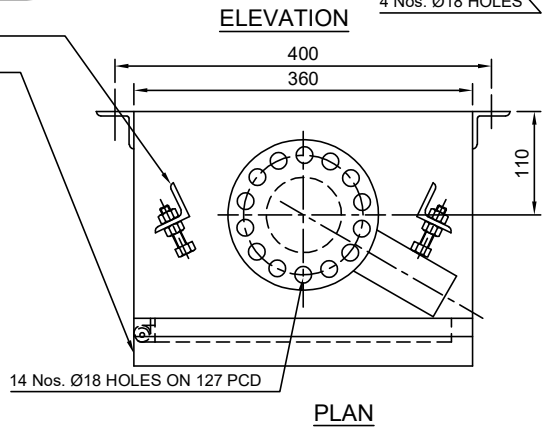
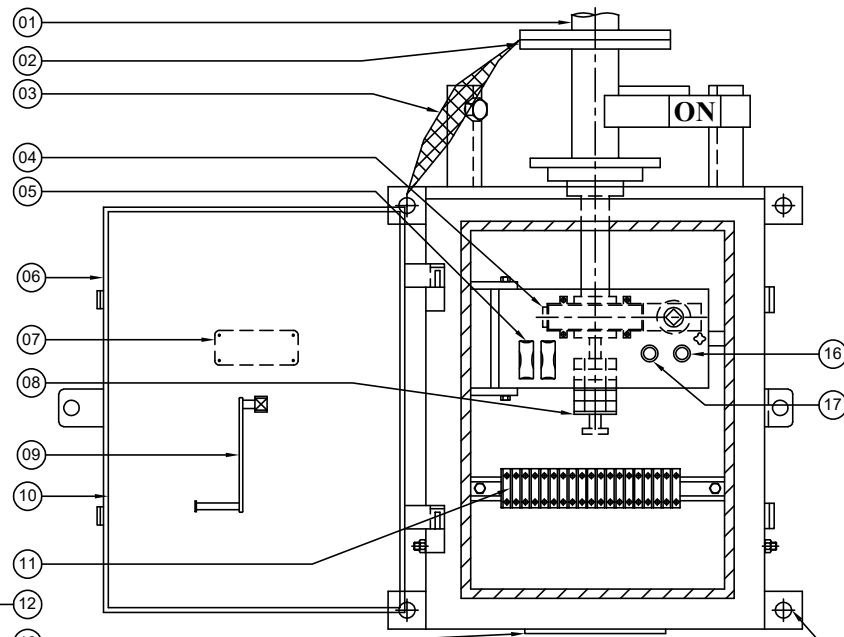
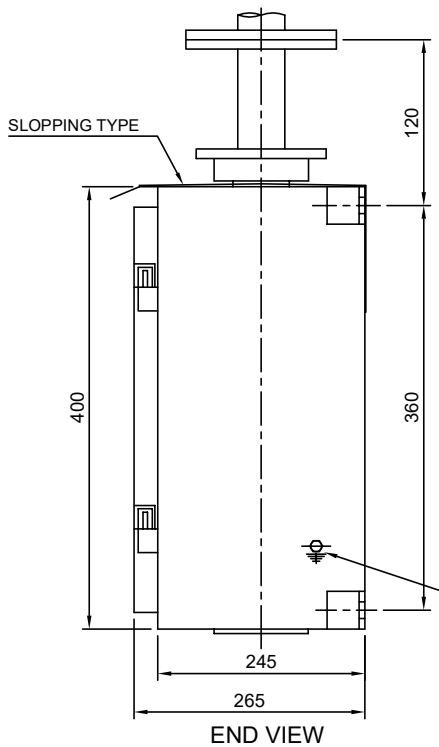
REVISIONS	D	C	B	A

TITLE:
**SCHEMATIC DIAGRAM FOR
MOTOR CONTROL PANEL FOR 220 KV**

SCALE:N.T.S	
DATE	21-03-2023
DRAWN	
CHECKED	
APPROVED	
DRG.NO:	4. GM APT 05
REV	



**GR POWER SWITCHGEAR LTD.,
JEEDIMETLA HYDERABAD-500 055 INDIA**



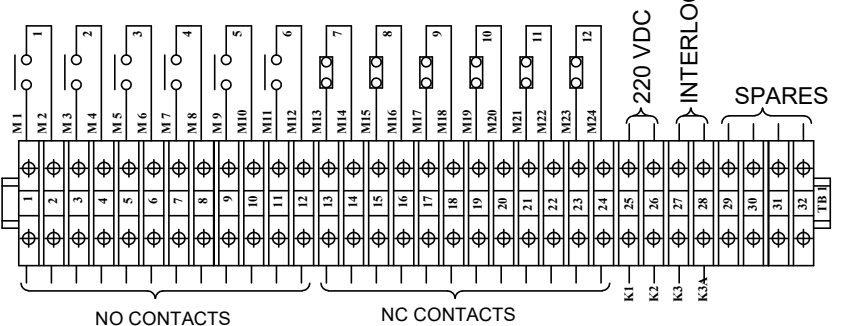
PART LIST

- 01. DOWN OPERATING PIPE
- 02. OUTPUT FLANGE (8 MM THICK M.S. PLATE)
- 03. COPPER FLEXIBLE (25 x 3 mm TINNED Cu. FLEXIBLE)
- 04. REDUCTION GEAR BOX (MATERIAL : EN8 / FORGED STEEL)
- 05. FUSES (2 A)
- 06. CUBICLE WITH DOOR (3 mm THICK, ALU. SHEET)
- 07. NAME PLATE
- 08. AUXILIARY SWITCH (6 NO + 6 NC)
- 09. OPERATING HANDLE
- 10. GASKET (EPDM)
- 11. TERMINAL BLOCKS (UBT-4 OF ELMEX / VIN MECH OR ITS EQUIVALENT)
- 12. PROVISION FOR EARTHING TERMINALS
- 13. DETACHABLE CABLE GLAND FIXING PLATE (WITHOUT GLANDS)
- 14. ON - OFF STOPPERS (M.S. ANGLE, HDG)
- 15. RAIN SHADE
- 16. INDICATION LAMP
- 17. PUSH BUTTON (4 A)

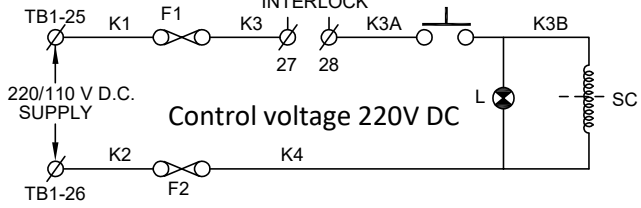
NOTES:

- 1. ALL DIMENSIONS ARE IN MILLIMETER
- 2. CUBICLE WILL BE NATURAL ALUMINIUM FINISH FOR INSIDE AND OUTSIDE.
- 3. DEGREE OF PROTECTION IP:55 AS PER IS/IEC 60529
- 4. WEIGHT OF THE BOX :28 Kg (Approx.)
- 5. WIRING WILL BE DONE WITH 1100 V GRADE 2.5 Sq. mm Cu. STANDED P.V.C. INSULATED CONDUCTOR
- 6. 20% SPARE TERMINALS PROVIDED
- 7. REDUCTION GEAR RATIO 20 : 1 MAKE GRPS MATERIAL OF GEAR EN8 / STEEL
- 8. LUBRICATION OF GEARS : NON HARDENED GREASE FILLED GEAR BOX

AUX. SWITCH CONTACT DETAILS FOR ISOLATOR
(6 NO / 6 NC)



SCHEMATIC DIAGRAM:



LEGEND:

- F1,F2 ----- FUSES (2 Amp Rating)
- PB ----- PUSH BUTTON
- L ----- INDICATION LAMP
- SC ----- SOLENOID COIL

Chief Engineer/Projects
APTRANSCO/VIS/Vijayawada.

REVISIONS			
D	C	B	A

TITLE:
OPERATING MECHANISM FOR EARTH SWITCH (FOR 220 KV)

GR POWER SWITCHGEAR LTD.,
JEEDIMETLA HYDERABAD-500 055 INDIA

SCALE:N.T.S	
DATE	21-03-2023
DRAWN	
CHECKED	
APPROVED	
DRG.NO:	4. GN APT 06
REV	

NOTE: 1. DRAWING APPROVAL SUBJECT TO VALID TYPE TEST REPORTS, TO BE CHECKED DURING ACCEPTANCE TESTS
2. FOR EPC CONTRACTS ONLY

NAME PLATE DETAILS FOR ISOLATOR

NAME PLATE DETAILS FOR EARTH SWITCH

MANUFACTURED & SUPPLIED BY
GR POWER SWITCHGEAR LTD.,
JEEDIMETLA, HYDERABAD - 500 055

CUSTOMER : M/s. TRANSMISSION CORPORATION OF AP LIMITED
PROJECT : _____
CONTRACTOR : _____
P.O. NO : _____ Dt. : _____
TYPE : HDB SL. NO : AS APPLICABLE YEAR OF Mfg. : 2023
RATING : Un 220 KV ; In : 800 A ; WEIGHT IN KG : _____
IMPLUSE(UI) : 1050 KV Peak; SWITCHING(Us) : _____ KV Peak;
P.F : 460 KV rms; STC(lth) : 40 KA rms; DURATION : 3 Sec;
OPERATING MECHANISM : MOTOR, 3 Ph., 415 V, 0.5 HP
CONTROL VOLTAGE : 220/110 V DC CREEPAGE : _____

Control voltage 220V DC

MANUFACTURED & SUPPLIED BY
GR POWER SWITCHGEAR LTD.,
JEEDIMETLA, HYDERABAD - 500 055

CUSTOMER : M/s. TRANSMISSION CORPORATION OF AP LIMITED
PROJECT : _____
CONTRACTOR : _____
L.O.A./ P.O. NO : _____ Dt. : _____
TYPE : VB SL. NO : AS APPLICABLE YEAR OF Mfg. : 2023
RATING : Un 220 KV ; In : _____ A ; WEIGHT IN KG : _____
IMPLUSE(UI) : 1050 KV Peak; SWITCHING(Us) : _____ KV Peak;
P.F : 460 KV rms; STC(lth) : 40 KA rms; DURATION : 3 Sec;
OPERATING MECHANISM : MANUAL(RG)
CONTROL VOLTAGE : 220/110 V DC CREEPAGE : _____

Project, contractor, PO, date ,year of MFG shall be stamped during inspection

- Minimum 300mm plinth shall be maintained for CT/PT/CVT/ Isolators/IVT in the substation during foundation works to ensure Safe live to ground clearance as per IE rules.
- since the supply of terminal connectors is not in the scope of Manufacturer as mentioned in the drawings. The EPC contractor Shall be instructed to supply the same in line with CT/PT/CVT/Isolator /IVTs requirement and compatibility.

Drawing approval subject to valid vendor registration

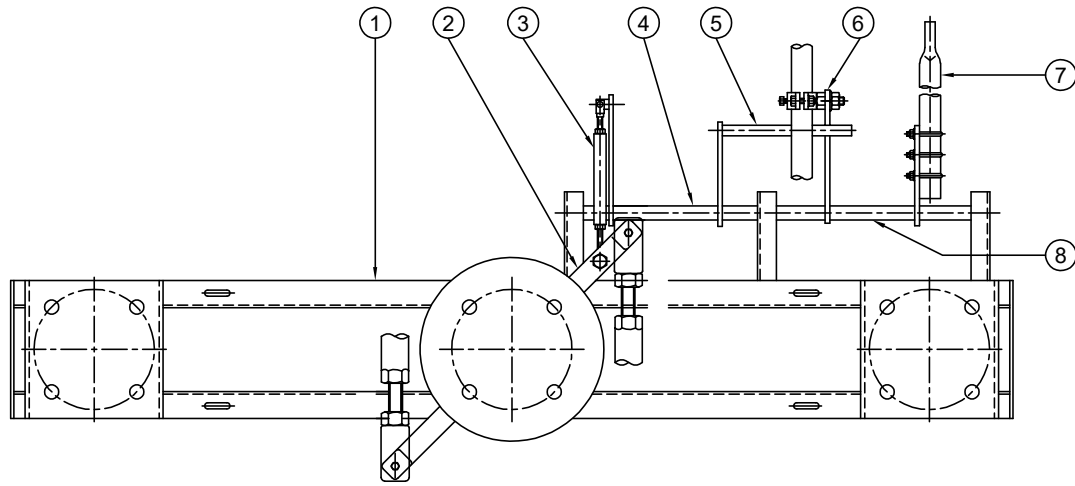
NOTES :

- ENGRAVED LETTER SIZE : 3 mm
- LETTER ETCHED WHITE ON BLACK BACKGROUND
- MATERIAL : ALUMINUM
- THICKNESS : 1 mm

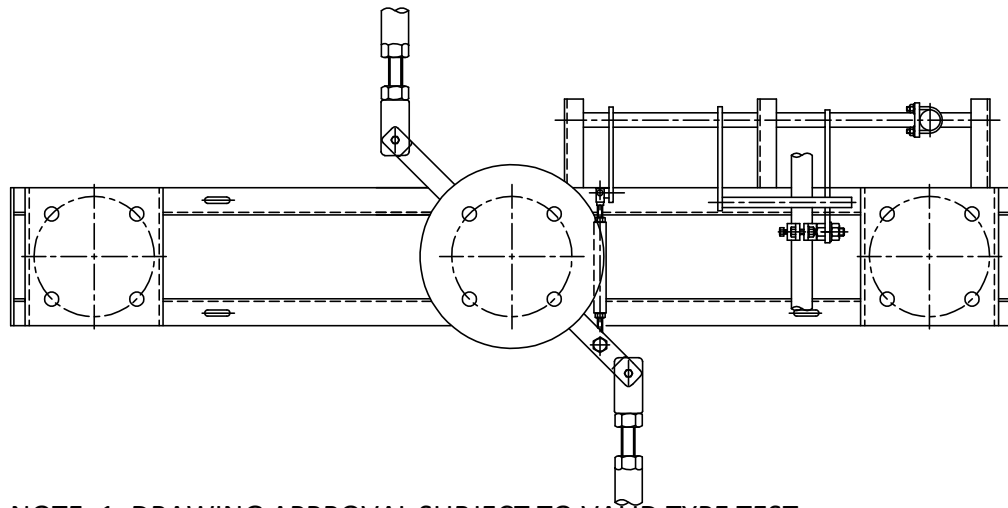
Chief Engineer/Projects
APTRANSCO/VS/Vijayawada.

REVISIONS			
D	C	B	A

TITLE: NAME PLATE DETAILS (FOR 220 kV ISOLATOR)		SCALE:N.T.S	
DATE		21-03-2023	
DRAWN			
CHECKED			
APPROVED			
DRG.NO:		4. GZ APT 07	REV
GR POWER SWITCHGEAR LTD., JEEDIMETLA HYDERABAD-500 055 INDIA			



**FIG - 1 : ISOLATOR IN "CLOSE" POSITION
EARTH SWITCH IN "OPEN" POSITION**



**FIG - 2 : ISOLATOR IN "OPEN" POSITION
EARTH SWITCH IN "CLOSE" POSITION**

NOTE: 1. DRAWING APPROVAL SUBJECT TO VALID TYPE TEST REPORTS, TO BE CHECKED DURING ACCEPTANCE TESTS
2. FOR EPC CONTRACTS ONLY

CONSTRUCTION :

ISOLATOR OPERATING LEVER (2) IS CONNECTED TO THE ROTATION PIPE - 1 (4) THROUGH THE LINK ROD (3), THE STOPPER ROD (5) ALSO MOVES ALONG WITH THE ROTATING PIPE (4) EARTH SWITCH OPERATING LEVER (6) MOVES THE ROTATING PIPE - 2 (8) WITH EARTH SWITCH MOVING CONTACT (7) INDIVIDUALLY

FUNCTION :

IN FIG - 1 : IN THIS CONDITION THE ISOLATOR OPERATING LEVER (2) IS CONNECTED TO THE ROTATING PIPE - 1 (4) SUCH THAT THE STOPPER ROD (5) IS ABOVE THE EARTH SWITCH OPERATING LEVER (6) AS A RESULT THE STOPPER (5) WILL NOT PERMIT EARTH SWITCH OPERATING LEVER (6) TO MOVE AND THE E.S. MOVING CONTACT WILL REMAIN IN OPEN POSITION.

IN FIG - 2 : IN THIS CONDITION THE ISOLATOR OPERATING LEVER IS CONNECTED TO THE ROTATING PIPE - 1(4) SUCH THAT THE STOPPER ROD (5) WILL BE BELOW THE EARTH SWITCH OPERATING LEVER (6) AS A RESULT THE EARTH SWITCH OPERATING LEVER (6) WILL NOT PERMIT THE STOPPER ROD TO MOVE(5) AND ISOLATOR OPERATING LEVER (2) WILL REMAIN IN OPEN POSITION.

NOTES :

1. BASE CHANNEL 150 x 75 x 5 THK CHANNEL (HOT DIP GALVANIZED)
2. ISOLATOR OPERATING LEVER (40 x 10 mm THIK MS FLATTE)
3. LINK ROD (25 NB MS PIPE HDG)
4. ROTATING PIPE - 1 (25 NB MS PIPE HDG)
5. STOPPER ROD (20 Ø MS ROD HDG)
6. E.S. OPERATING LEVER (50 x 8 MS FLAT HDG)
7. E.S. MOVING CONTACT (38 OD x 30 ID CU. PIPE)
8. ROTATING PIPE - 2 (25 NB MS PIPE HDG)

Drawing approval subject to valid vendor registration

**Chief Engineer/Projects
APTRANSCO/VS/Vijayawada.**

REVISIONS			
D	C	B	A


TITLE: **MECHANICAL INTERLOCK BETWEEN MAIN SWITCH AND EARTH SWITCH (FOR 220 kV ISOLATOR)**

**GR POWER SWITCHGEAR LTD.,
JEEDIMETLA HYDERABAD-500 055 INDIA**


SCALE: N.T.S	
DATE	21-03-2023
DRAWN	
CHECKED	
APPROVED	
DRG.NO:	4. GZ APT 08
REV	

SCHEDULE OF GUARANTEED TECHNICAL PARTICULARS FOR 220KV, 800A WITH ONE EARTH SWITCH

S.No	DESCRIPTION	220 KV
1	Type/Installation	"DB" Double Break - OUTDOOR
2	Manufacturer's Name and country of manufacture	GR POWER SWITCHGEAR LTD., HYDERABAD
3	Standards according to which the isolators are manufactured.	IS 9921Part I to V.& IEC 62271-102
4	Maximum design voltage at which the isolator can operate (kV).	245 KV
5	Frequency (Hz)	50 Hz
6	Rated voltage (kV)	220KV
7	Maximum current that can be safely interrupted by the Isolator inductive (A & % PF) Capacitive (A & % PF)	0.7 Amps at 0.15 p.f. Drawing approval subject to valid vendor registration
8	Continuous current rating normal (Amps) under site conditions (Amps).	800 Amps
9	Rated short time current	<u>MAIN SWITCH/ EARTH SWITCH</u>
	i) For 3 Seconds (kA rms)	40 KA rms
	ii) For 1 Second (kA rms)	Not Applicable
	iii) Rated peak short time current (KV P)	100 KA rms
10	Current density at the minimum cross section of	
	a) Moving blade (Amps/Sq.mm)	2.0 Amps/Sq.mm for HDE Cu. Tube
	b) Terminal pad	1.0 Amp/Sq.mm for EC grade Alu. Flat.
	c) Contacts	1.6 Amps/Sq.mm for HDE Cu. Flat.
11	Maximum temperature rise of current carrying parts when carrying rated current continuously (Deg.C).	Within the specified limits of IS/IEC 62271-102.
12	Insulation levels	
	i) Impulse withstand voltage (kV Peak) Phase to Earth Isolating Distance.	1050 KV Peak
	ii) Switching surge withstand voltage (kV Peak) Phase to Earth isolating distance.	Not applicable

S.No	DESCRIPTION		220 KV
	iii) Power Frequency withstand voltage (kV rms) Phase to Earth isolating distance.	:	460 KV rms
13	Minimum clearance in air		
	i) Between poles (mm)	:	4000 mm for a phase spacing of 4500 mm
	ii) Between live parts and earth (mm)	:	2100 mm
	iii) Between live parts when switch is open.		
	a) On the same pole (mm)	:	2800 mm
	b) Between adjacent poles (mm)	:	3000 mm
14	Rated mechanical terminal load		
	i) Load along the terminal connector side (Kg).	:	102 Kgs
	ii) Load across the terminal connector side (Kg).	:	33.7 Kgs
15	Torque required to operate the switch in Kg.m.	:	40 Kg m
16	Contact Zone		Drawing approval subject to valid vendor registration Not applicable
	i) Horizontal deflection (mm)		
	ii) Vertical deflection (mm)	:	
	iii) Total amplitude of longitudinal movement w.r.t conductor supporting fixed contact		
17	Design and construction		
	i) No. of insulators per pole	:	Three
	ii) No. of breaks per pole	:	Two
	iii) Type of closing / opening mechanism (Horizontal / vertical break straight etc.).	:	Horizontal break for Isolator
	iv. Contacts		Thickness of Silver plating : 15 Microns Minimum Hard Drawn Electrolytic Copper flat, silver plated  micron thickness.
	a) Material and grade	:	
	b) Cross-sectional area (Sq.mm)	:	

Chief Engineer/Projects
APTRANSCO/VS/Vijayawada.

S.No	DESCRIPTION	220 KV
v	Moving blades	
	a) Material and grade	: Thickness of Silver plating : 15 Microns Minimum Hard Drawn Electrolytic Copper tube, silver plated of  micron thickness.
	b) Cross-sectional area (Sq.mm)	: 427 Sq.mm for 800A
vi)	Contact support	
	a) Material and size of channel / block.	: 8 mm Thick MS HDG
vii)	Rain hood-material grade and size	: MS HDG
viii)	Turn and twist mechanism	
	a) Material and size of clamps	: 40 x 10 MS HDG Flat
	b) Material size of springs	: 14 swg SS wire
	c) Whether springs are encased	: Not encased
ix)	Nuts and bolts	
	a) Size, material and grade in live parts.	: Lessthan M8 are of stainless steel
	b) Size, material and grade in other parts.	: M8 and above are of MS HDG.
x)	Insulator base plate material and size of plate below insulators.	: 12 mm thick M.S. Hot dip galvanised plate
xi)	Bearings	
	a) Material and size of housing	: MS HDG suitable for 50 ID Ball Bearing
	b) No. of bearings, location & size	: 2 Nos. below centre rotating post insulator
xii)	Tandem pipe	
	a) Size, length class and No. of pipes	: As per GA drawings
	b) Size of shackle screw	: Suitable for 40 NB
	c) No. of bearings / bush and its material and size.	: 6 Nos. bush bearings, brass, 16 mm ID Size.
xiii)	Type of interlock	: (i) Mechanical interlock between Isolator and Earth Switch. (ii) Electrical interlock between Isolator and circuit breaker.
xiv)	Down pipe size, length and class	: 50 mm NB Class B GI Pipe.

S.No	DESCRIPTION	220 KV
xv)	Type of universal/swivel joint	
	a) Between bearing & down pipe	: Universal joint
	b) Between down pipe and operating mechanism.	: Vernier Flange
xvi)	Operating mechanism	Motor operated mechanism for M.S. & Manual operated mechanism for E.S.
	a) Control cabinet	
	Material and thickness	: 3 mm Thick ALU Sheet
	Degree of protection	: IP : 55 as per IS 2147
	Type size and no. of cable glands.	: Compression type, 2 Nos. 19 mm. (Contractor scope of supply)
	Whether removable gland plate provided.	: Yes, removable gland plate provided.
	b) Make type, rating and Qty. of Motors	: Ø3, 415v, 0.5 HP Motor
	Auxiliary blocks	: 12 NO / 12 NC contacts for Main Switch 6 NO / 6 NC contacts for Earth Switch Mani 10 A, 2 A DC breaking with 2A - 1 No.
	Terminal blocks	: UBT-4
	Insulated Wires	: 1100 V grades, 2.5 Sq.mm PVC For Auxiliary Circuit and 2.5 Sq.mm for Power circuit
	HRC Fuse	: Not Applicable, MCB's
	Space Heater	: 1 No. 230V AC. 80 Watts / Ramana Electrical
	Interlocks	: 1 Set PSI / 20 Watts magnetic - 1 No.
xvii)	Base	
	a) Size of steel sections used	: 150 X 75 mm
	b) Overall size	: 3600 x 150 x 75 mm x 5 mm
	c) Total weight	: 52 Kgs approx

for GR POWER SWITCHGEAR LTD.,

Drawing approval subject to valid vendor registration



AUTHORIZED SIGNATORY

Chief Engineer/Projects
APTRANSCO/VS/Vijayawada.