

NOTE:-1. Drawings approval subject to valid type test reports,
to be checked during acceptance tests.
2. For EPC contractors only.

Drawing approval subject to valid vendor registration

Item: 245kV IVT

Ratio: 2W

Creepage: 31mm/kV

Customer: APTransco, Andhra Pradesh

List of Standard Drawings/Documents:

Sl. No.	Description	Drawing/ Doc No.
1	General Arrangement	APTR-10.31.245E1_REV No.01
2	Rating Plate	APTR-10.31.245E2_REV No.03
3	Terminal Box GA	APTR-10.31.245E3_REV No.02
4	Sectional View	APTR-10.31.245E4_REV No.01
5	GTP	--

1. Minimum 300mm plinth shall be maintained for CT/PT/CVT/ Isolators/IVT in the substation during foundation works to ensure safe live to ground clearance as per IE rules.
2. Since the supply of terminal connectors is not in the scope of manufacturers as mentioned in the drawings. The EPC contractors shall be instructed to supply the same in line with CT/PT/CVT/Isolator /IVTs requirement and capatibility.

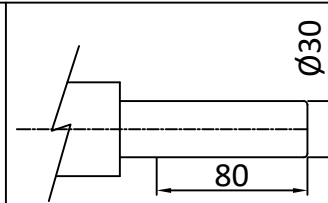
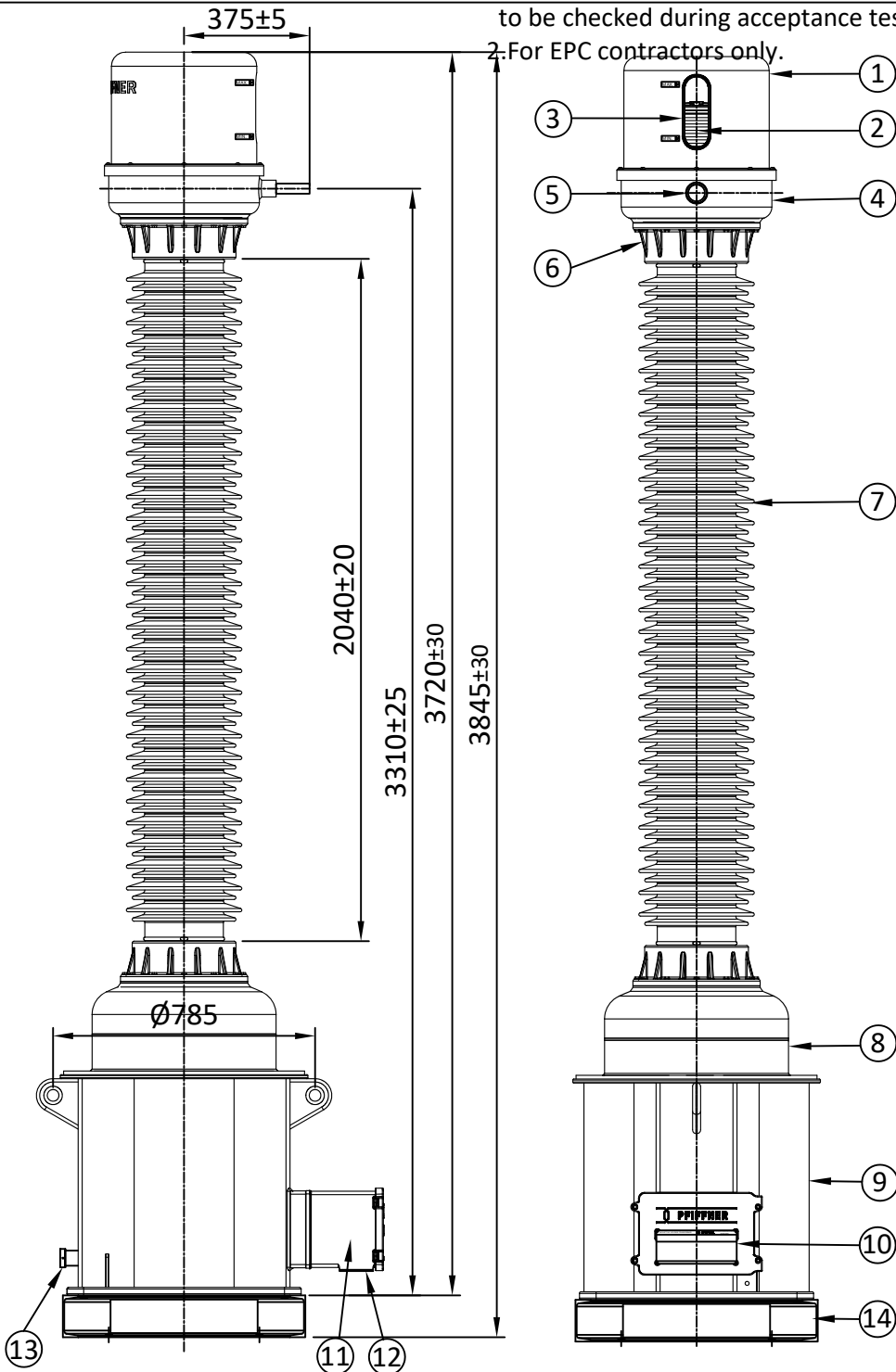
CHIEF ENGINEER/PROJECTS
APTRANSCO/VS/Vijayawada

NOTE:-1. Drawings approval subject to valid type test reports,

to be checked during acceptance tests.

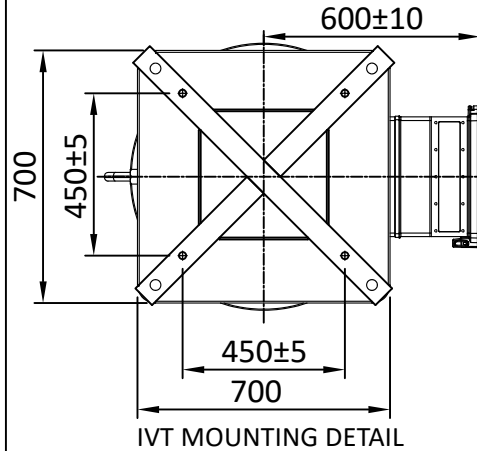
2. For EPC contractors only.

IF IN DOUBT ASK

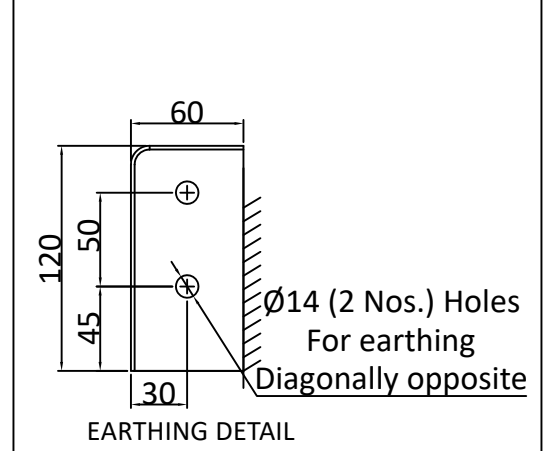


TERMINAL DETAIL

CHIEF ENGINEER/PROJECTS
APTRANSCO/VIS/Vijayawada



IVT MOUNTING DETAIL



EARTHING DETAIL

TOTAL WEIGHT : 890 kg ±10%
TOTAL OIL WEIGHT : 200 kg ±10%
CREEPAGE DISTANCE : ≥7595 mm

Drawing approval subject to valid vendor registration

Customer : TRANSMISSION CORPORATION OF ANDRA PRADESH LTD.

This document must not be copied without our written permission and the content and nor be used for any unauthorised purpose. Contravention will be prosecuted. © PFIFFNER

01	AS PER CUSTOMER COMMENTS.		CHM	18.04.2023
REV.NO.	DESCRIPTION		APPV'D	REV. DATE
GEN. TOL : NA		MATERIAL : NA		
WEIGHT : NA		SPEC : NA		
DRAWN	M.D.	08.03.2023	ALL DIMENSION ARE IN MM. UNLESS OTHERWISE SPECIFIED.	
CHK'D	M.C.	08.03.2023	SCALE : N.T.S.	
APPV'D	R.P.	08.03.2023	SHEET SIZE : A3	
		TITLE :		DWG NO.
Instrument Transformers Pvt.Ltd. NASHIK, INDIA		GENERAL ARRANGEMENT 245kV IVT		
			SHEET 1 OF 1	REV. NO. : 01

NOTE:-1. Drawings approval subject to valid type test reports,
to be checked during acceptance tests.
2. For EPC contractors only.

IF IN DOUBT ASK

PFIFFNER Instrument Transformers Pvt.Ltd. NASHIK, INDIA		INDUCTIVE VOLTAGE TRANSFORMER MADE IN INDIA	
CUSTOMER : TRANSMISSION CORPORATION OF ANDRA PRADESH LTD.		PO No. : -----	
YEAR : ----	TYPE : EOF 245 W	SPECIFICATION : IS 16227, IEC 61869	SERIAL NO. : -----
A - N 220000/√3 V	1a - 1n	110/√3 V	2a1 - 2n 110
	VA	50	2a2 - 2n 110/√3 V
	CLASS	0.2	VA
			50
	SIMULTANEOUS BURDEN / ACCURACY CLASS		3P
	100 VA / 0.2	TOTAL THERMAL LIMITING OUTPUT 200 VA	
H.S.V. : 245 kV	FREQUENCY	50 Hz	
INSULATION LEVEL		460 kV / 1050 kVp	
VOLTAGE FACTOR		1.2 CONT./ 1.5-30 sec.	
CREEPAGE DISTANCE		≥7595 mm	
TOTAL WEIGHT : 890 ±10% kg	OIL WEIGHT	200 ±10% kg	
A - PRIMARY TERMINAL (H.V.) B _δ - CAPACITANCE TAN DELTA LEADOUT N - NEUTRAL END OF PRIMARY WINDING. F1-F3 - FUSE (16 A)			
		CAUTION : - ENSURE SECONDARY TERMINALS ARE NOT SHORTED IN OPERATION. - ENSURE B _δ AND N ARE CONNECTED TO EARTH BEFORE CHARGING IVT. - CHECK BELLOWS POSITION.	
234±0.5		94±0.5	
240		100	
		Ø1.7 (04 Nos.)	

1. Minimum 300mm plinth shall be maintained for CT/PT/CVT/ Isolators/IVT in the substation during foundation works to ensure safe live to ground clearance as per IE rules.
2. Since the supply of terminal connectors is not in the scope of manufacturers as mentioned in the drawings. The EPC contractors shall be instructed to supply the same in line with CT/PT/CVT/Isolator /IVTs requirement and capatibility.

Customer : TRANSMISSION CORPORATION OF ANDRA PRADESH LTD.

Drawing approval subject to valid vendor registration

CHIEF ENGINEER/PROJECTS
APTRANSCO/VS/Vijayawada

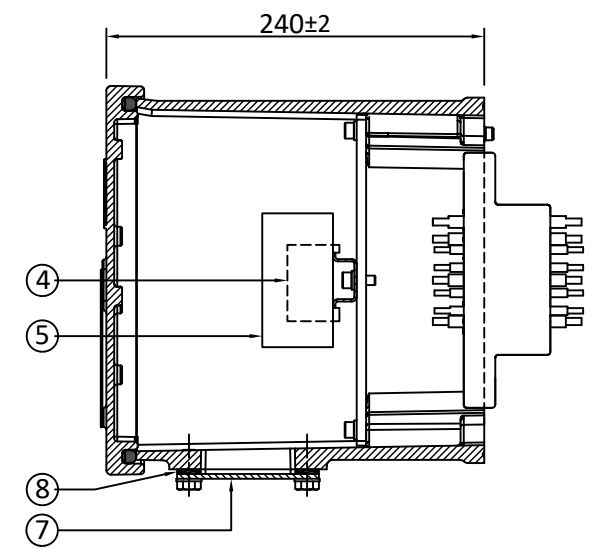
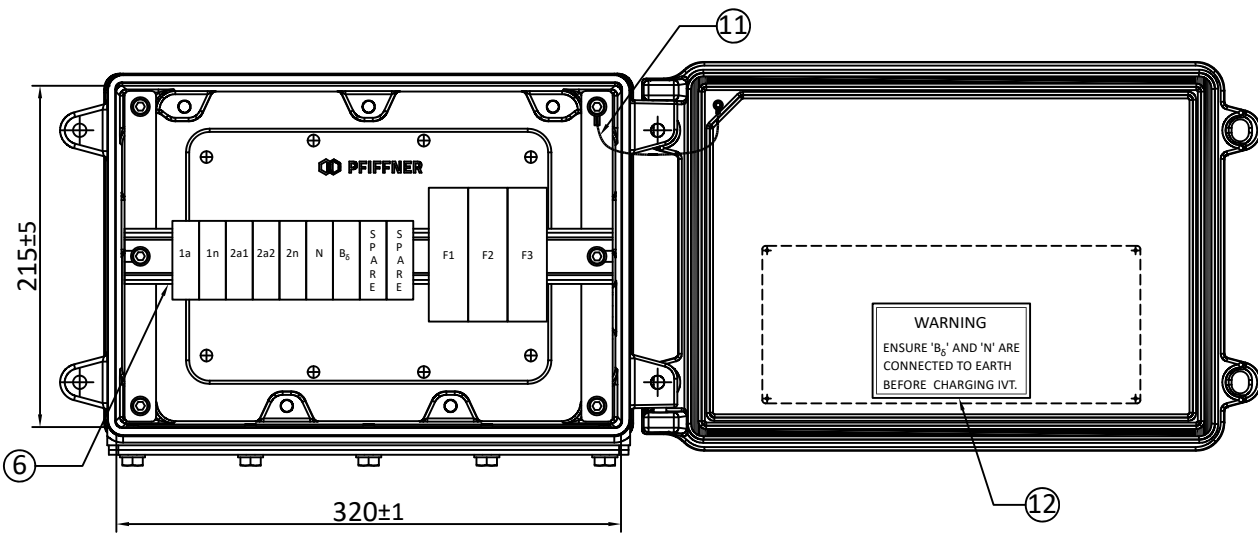
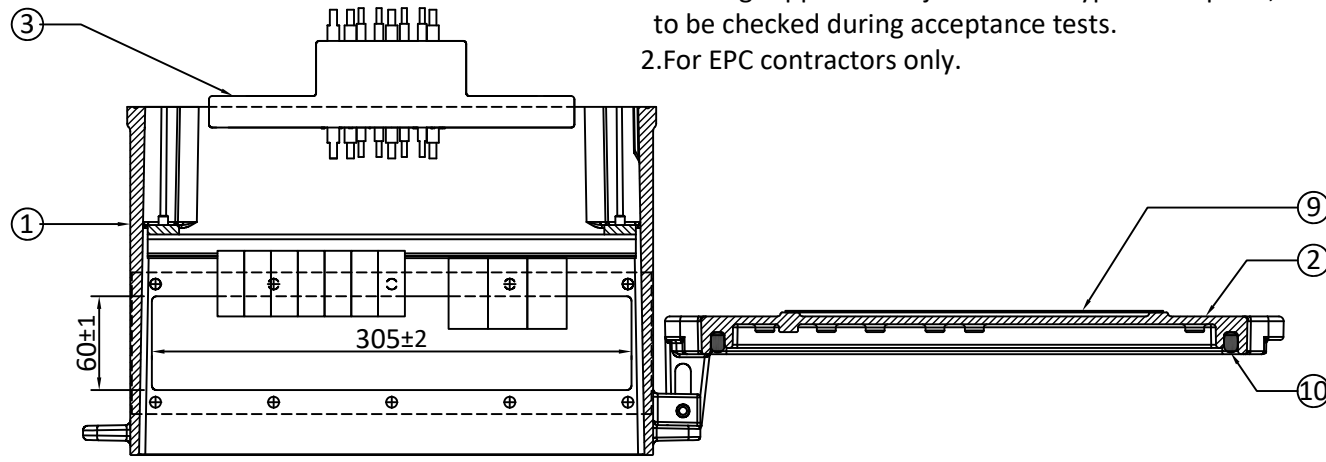
03	AS PER CUSTOMER COMMENTS.	CHM	02.05.2023
02	AS PER CUSTOMER COMMENTS.	CHM	25.04.2023
01	AS PER CUSTOMER COMMENTS.	CHM	18.04.2023
REV.NO.	DESCRIPTION	APPV'D	REV. DATE
GEN. TOL : NA		MATERIAL : 1mm thick Aluminium metal photo	
WEIGHT : NA			
	NAME	SIGN	DATE
DRAWN	M.D.		08.03.2023
CHK'D	M.C.		08.03.2023
APPV'D	R.P.		08.03.2023
SPEC : NA		ALL DIMENSION ARE IN MM. UNLESS OTHRWISE SPECIFIED.	
FINISH : NA		SCALE : N.T.S.	
TITLE : RATING PLATE 245 kV IVT		SHEET SIZE : A3	
Instrument Transformers Pvt.Ltd. NASHIK, INDIA		DWG NO. : APTR-10.31.245E2 SHEET 1 OF 1 REV. NO. : 03	

This document must not be copied without our written permission and the content and nor be used for any unauthorised purpose. Contravention will be prosecuted. PFIFFNER

NOTE:-1. Drawings approval subject to valid type test reports, to be checked during acceptance tests.
2. For EPC contractors only.

SR.NO.	DESCRIPTION	QTY.	MATERIAL
1	TERMINAL BOX	1	ALUMINIUM
2	TERMINAL BOX COVER	1	ALUMINIUM
3	EPOXY MONOBLOCK	1	EPOXY
4	STUD TYPE TERMINAL BLOCK	7+2 SPARE	ELMEX OR EQUI.
5	FUSE - HRC (16 A)	3	GE / C&S
6	TERMINAL CARRIER RAIL	1	STEEL
7	GLAND PLATE (330x90x4 mm thk.)	1	ALUMINIUM
8	GLAND PLATE GASKET	1	RUBBER
9	RATING & SCHEMATIC PLATE	1	ALUMINIUM
10	DOOR GASKET	1	RUBBER
11	DOOR EARTHING CABLE	1	COPPER
12	WARNING STICKER	1	ALUMINIUM

IF IN DOUBT ASK



Drawing approval subject to valid vendor registration

Customer : TRANSMISSION CORPORATION OF ANDRA PRADESH LTD.

02	AS PER CUSTOMER COMMENTS.	CHM	26.04.2023
01	AS PER CUSTOMER COMMENTS.	CHM	18.04.2023
REV.NO.	DESCRIPTION	APPV'D	REV. DATE
GEN. TOL : NA		MATERIAL : NA	
WEIGHT : NA			
NAME	SIGN		
DRAWN	M.D.	08.03.2023	FINISH : NA
CHK'D	M.C.	08.03.2023	SCALE : N.T.S.
APPV'D	R.P.	08.03.2023	SHEET SIZE : A3
 Instrument Transformers Pvt.Ltd. NASHIK, INDIA		TITLE : TERMINAL BOX GA 245kv IVT	
		DWG NO. APTR-10.31.245E3	
		SHEET 1 OF 1 REV. NO. : 02	

This document must not be copied without our written permission and the content and nor be used for any unauthorised purpose. Contravention will be prosecuted.

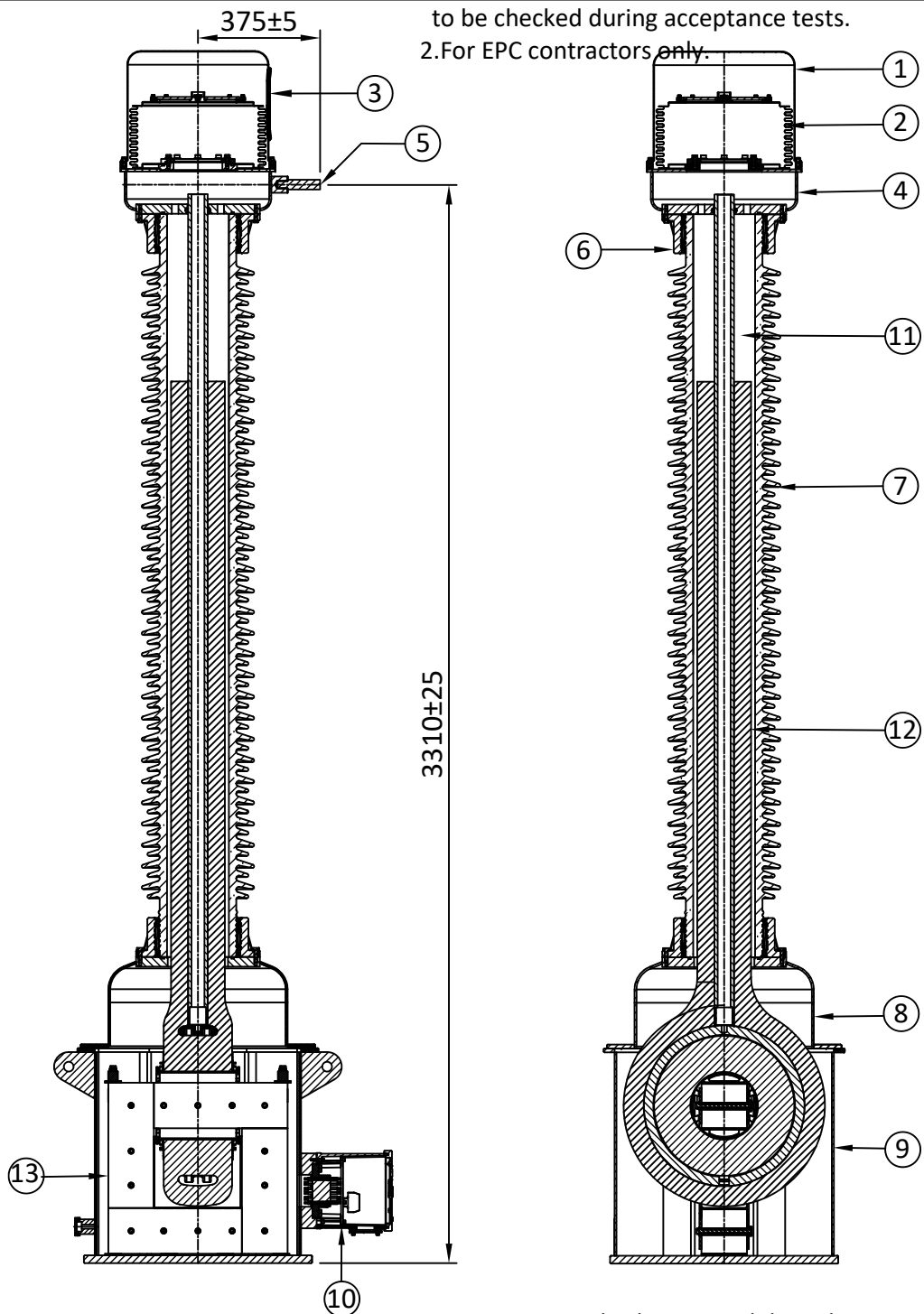
CHIEF ENGINEER/PROJECTS
APTRANSCO/VS/Vijayawada

NOTE:-1. Drawings approval subject to valid type test reports,

to be checked during acceptance tests.

2. For EPC contractors only.

IF IN DOUBT ASK



NO.	QTY.	DESCRIPTION	MATERIAL
01	01	BELLOWS COVER	ALUMINIUM
02	01	BELLOWS	STAINLESS STEEL
03	01	BELLOW LEVEL INDICATOR	POLYCARBONATE
04	01	CHAMBER	ALUMINIUM
05	01	TERMINAL	COPPER
06	02	INSULATOR FLANGE	ALUMINIUM
07	02	INSULATOR	PORCELAIN
08	01	TOP TANK	ALUMINIUM
09	01	BOTTOM TANK	ALUMINIUM
10	01	TERMINAL BOX	ALUMINIUM
11	-	INSULATING OIL	EHV Grade - MINERAL OIL
12	01	ACTIVE PART	OIL IMPREGNATED PAPER
13	01	CORE ASSEMBLY	CRGO (M4)

Notes:

- Insulating oil shall be EHV Grade as per IS 335, IEC 296
- Core : CRGO M4 / Equivalent high permeability material
- Secondary winding - Enamelled copper

CHIEF ENGINEER/PROJECTS
APTRANSCO/VS/Vijayawada

Customer : TRANSMISSION CORPORATION OF ANDRA PRADESH LTD.

This document must not be copied without our written permission and the content and nor be used for any unauthorised purpose. Contravention will be prosecuted. © PFIFFNER

Drawing approval subject to valid vendor registration

01	AS PER CUSTOMER COMMENTS.			CHM	25.04.2023
REV.NO.	DESCRIPTION			APPV'D	REV. DATE
GEN. TOL : NA		MATERIAL : NA			
WEIGHT : NA		SPEC : NA			
DRAWN	M.D.	08.03.2023	FINISH : NA	ALL DIMENSION ARE IN MM. UNLESS OTRWISE SPECIFIED.	
CHK'D	M.C.	08.03.2023	FINISH : NA	SCALE : N.T.S.	
APPV'D	R.P.	08.03.2023	FINISH : NA	SHEET SIZE : A3	
PFIFFNER Instrument Transformers Pvt.Ltd. NASHIK, INDIA			TITLE :		DRG NO.
			SECTIONAL VIEW		APTR-10.31.245E4
			245kV IVT		SHEET 1 OF 1
					REV. NO. : 01

Annexure
GUARANTEED TECHNICAL PARTICULARS FOR PTs

EOF 245 W OUTDOOR INDUCTIVE VOLTAGE TRANSFORMERS
(245kV, 2 Windings 31mm Creepage)

Sl.No	Particulars	Description		
1	Type	Dead Tank, Single Phase, Oil Filled, Outdoor type		
2	Manufacturer's type /Designation	EOF 245 W, / Pedestal Mounting		
3	Manufacturer's Name and address and Country of Manufacture	PFIFFNER Instrument Transformers Pvt Limited, Gat No. 176, 178/2, Sarul, Nashik 422010, Maharashtra, INDIA		
4	Mounting of tank (Bottom)	Bottom		
5	Conforming to Standard	Yes, IEC 61869-1&3		
6	Rated primary voltage (kV rms)	220 kV		
7	Rated highest voltage (kV rms)	245 kV		
8	Rated frequency (Hz)	50 Hz		
9	Secondary winding details			
	a) No. of secondary windings	Winding – I	Winding – II	
	b) Rated secondary voltage(v)	110/√3	110	110/√3
	c) Rated burden (VA)	50	50	
	d) Class of accuracy	0.2	3P	
10	Temperature rise at 1.2 times rated voltage with rated burden (deg.C)	As per IEC-61869		
11	Rated voltage factor and time	1.2 Continuous and 1.5 for 30seconds		
12	Impulse withstand test voltage (KV) peak.	1050		
13	One minute power frequency withstand test voltage on primary (KV rms)	460		
14	One minute power frequency withstand test voltage on secondary (KV rms)	3		
15	Porcelain Bushing (make)	IEC / Modern / Ravikiran		
16	Total creepage distance of the bushing (mm)	≥ 7595 mm		
17	Protected creepage distance of the bushing (mm)	Not applicable		
18	Quantity of insulating oil (Litres)	220 ± 10% (approx.)		
19	Weight of oil (Kg.)	200 ± 10% (approx.)		
20	Total Weight (Kg.)	890 ± 10% (approx.)		
21	Mounting details	450 x 450 (please refer GA drawing)		
22	Live parts to ground clearance			
23	Whether V.T. is sealed construction with nitrogen at top	YES, IVT is hermetically sealed with SS bellows.		
24	Overall dimensions	Please Refer Attached GA Drawing		
25	Grade of oil	IS 335		
26	Voltage Transformers shall carry 25% above the rated burden continuously without injury in respect of voltage Transformers	YES		
27	RIV at 1.1 x Um/√3 (micro Volts)	<1000 uV	CHIEF ENGINEER/PROJECTS	
28	Partial Discharge	<10 pc @ Um <5 pc @ 1.2Um/√3	APTRANSCO/VS/Vijayawada	
29	Tan Delta	< 0.5%		
30	Total thermal limiting output (VA)	200		
31	Simultaneous burden and accuracy class	100VA / 0.2		

1. Minimum 300mm plinth shall be maintained for CT/PT/CVT/ Isolators/IVT in the substation during foundation works to ensure safe live to ground clearance as per IE rules.
2. Since the supply of terminal connectors is not in the scope of manufacturers as mentioned in the drawings. The EPC contractors shall be instructed to supply the same in line with CT/PT/CVT/Isolator /IVTs requirement and capability.

Drawing approval subject to valid vendor registration