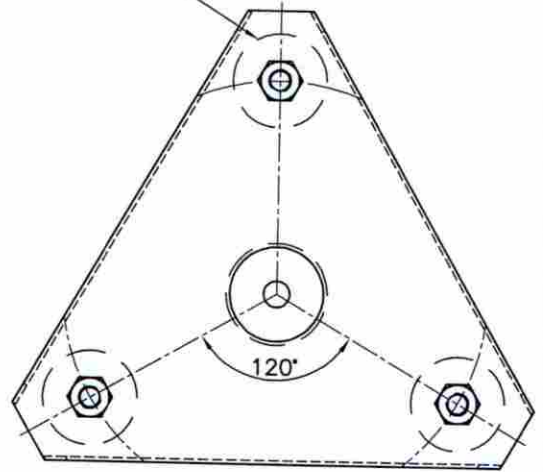


MINIMUM CLEARANCE FROM EARTHED OBJECTS AND BETWEEN PHASES

3-INSULATORS ON PCD 226mm AT 120°



ARRESTER BASE MOUNTING DETAILS

NOTE :

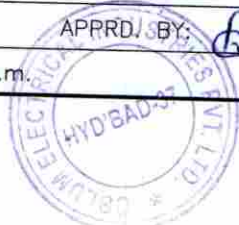
- 1. TOTAL CREEPAGE DISTANCE : 900mm MIN.
- 2. PRESSURE RELIEF CURRENT : 25kA RMS

Drawing approval subject to valid vendor registration

**CHIEF ENGINEER
PLANNING & POWER SYSTEMS
APTRANSCO**

- 3. ARRESTER BASE PLATE
- 2. SILICONE POLYMER HOUSING
- 1. TERMINAL CLAMPS

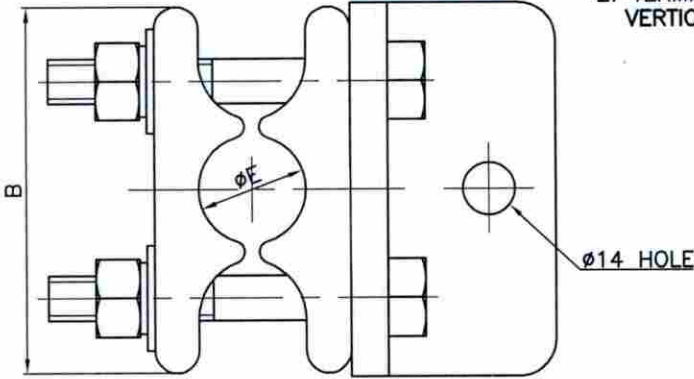
CUSTOMER : TRANSMISSION CORPORATION OF ANDHRA PRADESH LIMITED		MODEL: PBW-C2	
TITLE: 30kV-10kA SILICONE POLYMER HOUSED METAL-OXIDE SURGE ARRESTER		REV. No.: 01	DATE: 13/04/2022
DRG. NO.: PBW-C2-30B	DRN. BY: <i>V. Harish</i>	OBLUM ELECTRICAL INDUSTRIES PRIVATE LIMITED, A-16 & 17 ASSISTED PRIVATE INDUSTRIAL ESTATE, BALANAGAR, HYDERABAD-37, TELANGANA, INDIA.	
SCALE: N.T.S.	APPRD. BY: <i>Beam</i>		
ALL DIMENSIONS ARE IN m.m.			



SELECTION GUIDE						
NAME	CLAMP DETAILS					
	A	B	C	D	∅E	F
MOOSE	58	96	100	53	31.77	100

NOTE :

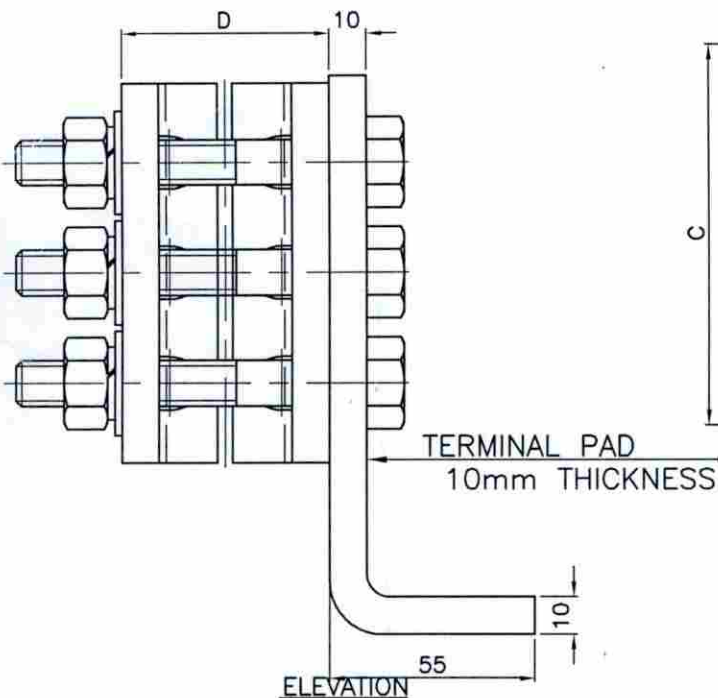
1. APPLICABLE STANDARD : IS-5561 AS TERMINAL CLAMP BUT NOT AS POWER CONNECTOR. (RATED CURRENT AND RATED SHORT TIME CURRENT ARE NOT APPLICABLE FOR ARRESTERS)
2. TERMINAL CLAMP GROOVE IS TO SUIT HORIZONTAL OR VERTICAL TAKEOFF OF A.C.S.R. MOOSE CONDUCTOR



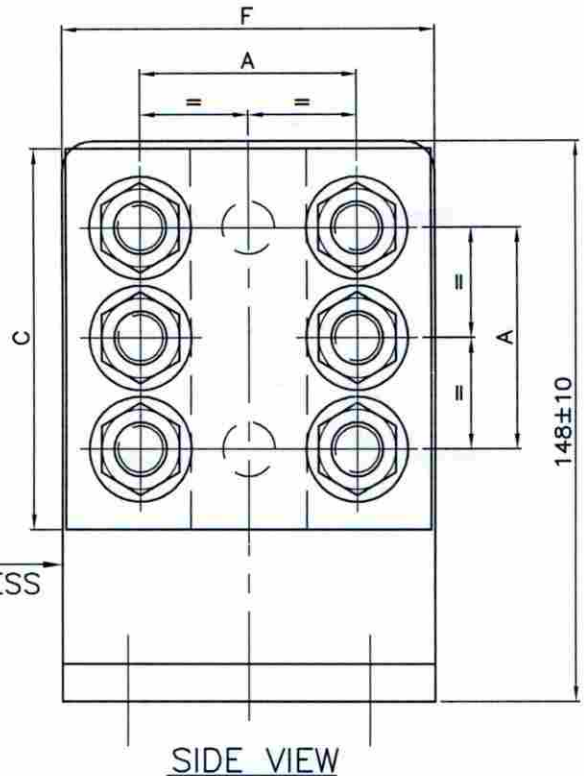
PLAN

**CHIEF ENGINEER
PLANNING & POWER SYSTEMS
APTRANSCO**

Drawing approval subject to valid vendor registration



ELEVATION



SIDE VIEW

CUSTOMER : TRANSMISSION CORPORATION OF ANDHRA PRADESH LIMITED

TITLE: **TERMINAL CLAMPS
(BOLTED TYPE)**

MATL.: ALUMINIUM ALLOY

REV. No.: 01

DATE : 13/04/2022

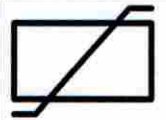
DRG. No.: TC-1832

DRN. BY: *V. Ganesh*

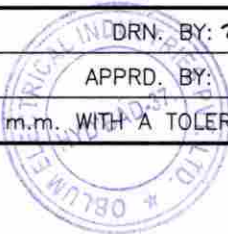
OBLUM ELECTRICAL INDUSTRIES PRIVATE LIMITED
A-16&17 ASSISTED PRIVATE INDUSTRIAL ESTATE
BALANAGAR, HYDERABAD-37,
TELANGANA. (INDIA)

SCALE: N.T.S

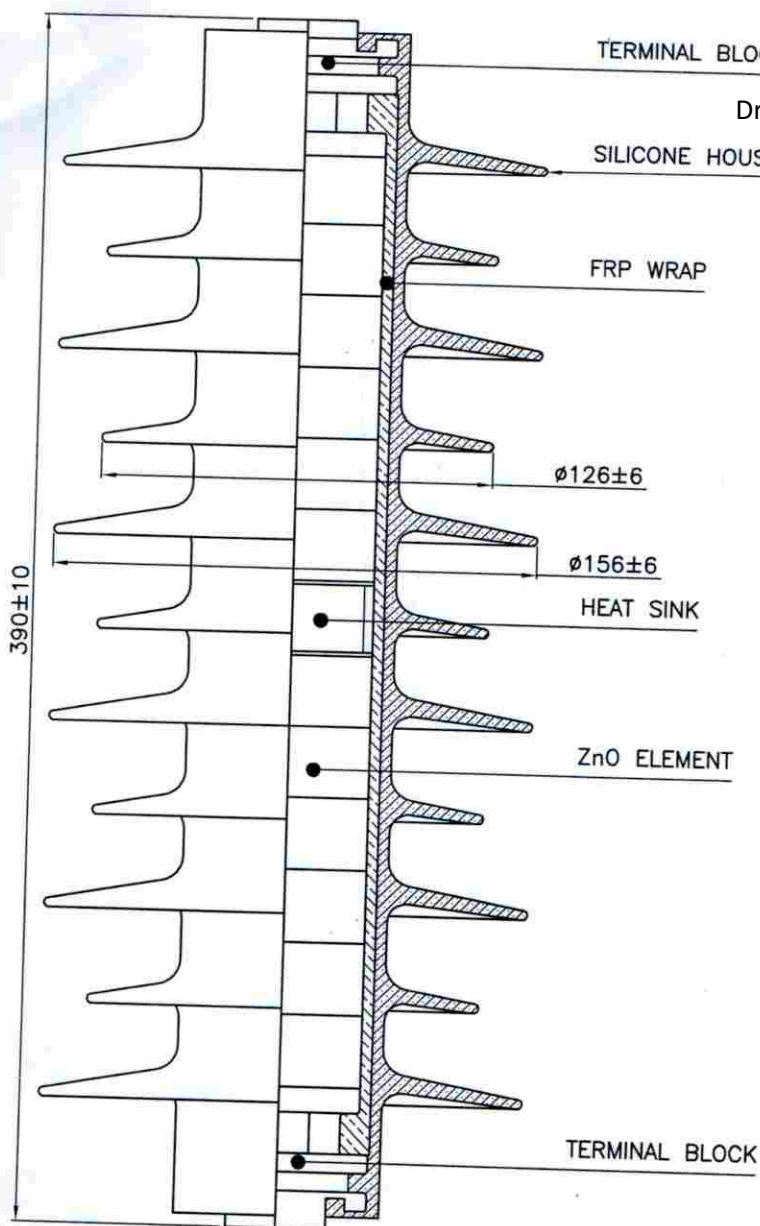
APPRD. BY: *Beau*



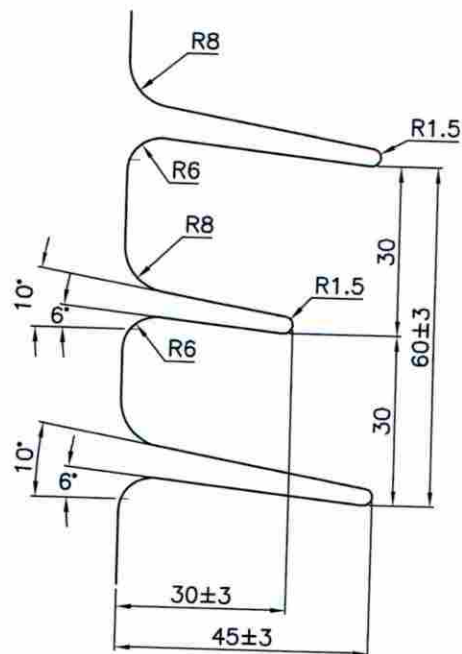
ALL DIMENSIONS ARE IN m.m. WITH A TOLERANCE OF ±5%



5767596/2022/EEMRT-ENE51



Drawing approval subject to valid vendor registration

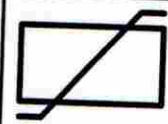


SHED PROFILE

1. CREEPAGE DISTANCE : 900mm MIN.

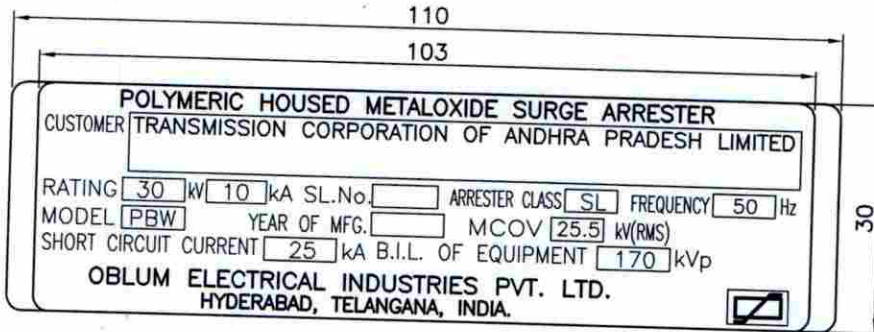
**CHIEF ENGINEER
PLANNING & POWER SYSTEMS
APTRANSCO**

CUSTOMER : TRANSMISSION CORPORATION OF ANDHRA PRADESH LIMITED	
TITLE: TYPICAL CROSS SECTION OF 30kV-10kA METAL OXIDE SURGE ARRESTER	MODEL: PBW
DRG. NO.: PBW-CS-30C2	REV. No.: 0
SCALE: N.T.S.	DATE: 17/01/2022
ALL DIMENSIONS ARE IN m.m.	OBLUM ELECTRICAL INDUSTRIES PRIVATE LIMITED, A-16 & 17 ASSISTED PRIVATE INDUSTRIAL ESTATE, BALANAGAR, HYDERABAD-37, TELANGANA. (INDIA)



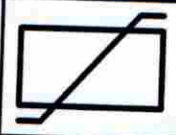
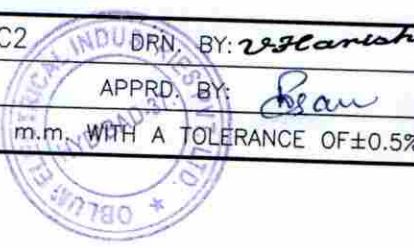
NOTE: 1. DRAWING APPROVAL SUBJECT TO VALID TYPE TEST REPORTS, TO BE CHECKED DURING ACCEPTANCE TESTS
 2. FOR EPC CONTRACTS ONLY

Drawing approval subject to valid vendor registration



**CHIEF ENGINEER
 PLANNING & POWER SYSTEMS
 APTRANSCO**

CUSTOMER : TRANSMISSION CORPORATION OF ANDHRA PRADESH LIMITED	
TITLE: NAME PLATE	MATL: 0.5mm ALUMINIUM SHEET
DRG. No.: PBW-NP-30C2	REV. No.: 0 DATE: 17/01/2022
SCALE: N.T.S.	OBLUM ELECTRICAL INDUSTRIES PRIVATE LIMITED A-16&17 ASSISTED PRIVATE INDUSTRIAL ESTATE BALANAGAR, HYDERABAD-37, TELANGANA, INDIA.
ALL DIMENSIONS ARE IN m.m. WITH A TOLERANCE OF ±0.5%	





OBLUM ELECTRICAL INDUSTRIES PRIVATE LIMITED

A-16 & 17, Assisted Private Industrial Estate, Balanagar, Hyderabad - 500 037. Telangana (INDIA)

Phone : 23771880, 23774184, 23772708, Fax : 0091 (040) 23771106

E-MAIL : sales@oblum.co.in, exports@oblum.co.in, technical@oblum.co.in Website : www.oblum.co.in



ISO 9001 : 2015

Surge Arresters

Ref. No.

Date :

CUSTOMER

: TRANSMISSION CORPORATION OF ANDHRA PRADESH LIMITED

ANNEXURE-II

30kV 10kA SL POLYMER SURGE ARRESTER GUARANTEED TECHNICAL PARTICULARS

Sno	Description	30kV 10kA SL polymer
1	Name of Manufacturer	M/s. Oblum Electrical Industries private Limited, A-16 & 17, APIE, Balanagar, Hyderabad-500 037
2	Arrester class & type	Station Class, Outdoor, Gapless Type
3	Applicable standard	IEC 60099-4 of 2014 & 15086 part-4 of 2017
4	Rated Arrester Voltage (kV)	30kV
5	Maximum Continuous Operating voltage (MCOV) (kV)	25.5kVrms
6	Nominal Discharge Current (kA) with 8/20 Micro-second wave	10kA
7	Designation of Arrester	Station Low duty (SL)/ Line Discharge Class-II
8	a.. Thermal Energy Rating W_{th} in kJ/kV of U_r b. Repetitive charge transfer rating (Q_{rs}) in coulomb	4kJ/kV 1.0C
9	Maximum switching current impulse residual voltage at i) 1000 Amps ii) 500 Amps iii) 250 Amps	71kVp NA NA
10	Maximum residual voltage with 1 micro second current wave at 10kA (kVp)	101kVp
11	Maximum residual voltage with 8/20 (kVp) Micro-second wave i) 5 kA ii) 10 kA iii) 20 kA	85kVp 90kVp 101kVp
12	Safe Fault Current (kA)	25kA
13	Lightning impulse withstand voltage of Arrester housing with 1.2/50 micro-second wave (kVp).	170kVp
14	One minute power frequency withstand voltage of housing (wet) kVrms	70kVrms
15	High Current short duration impulse withstand level with 4/10 micro second wave (kA) Peak	100kA
16	Pressure Relief Class	25kA @0.2sec
17	Over-voltage withstand Capability kV a) 10 seconds b) 1 second c) 0.1 second	44kVp 46kVp 48kVp
18	a) Reference Voltage (kV) b) Reference Current (kA)	a) Greater than rated voltage of the arrester b) 2mA
19	Number of Units per phase and rating of each unit	Single unit of 30kV
20	Minimum total creepage distance (mm)	900mm (min)
21	Leakage Current (mA)	I _r - About 400micro A I _c - Less than 1200micro A
22	Total weight of Arrestor(kg)	7kgs ±10%
23	Maximum cantilever strength of Surge Arrester (Including Wind Load)	150kgf (Max. Deflection= 20mm)
24	Overall Height of Surge Arresters(mm)	390±10mm
25	Maximum distance recommended from equipment to be protected by Surge Arrester (mm)	1 meter
26	Minimum distance between grounded object(mm)	550mm
27	Minimum distance between Arrester phase legs (mm)	750mm
28	Any other particulars if not covered in above:	Provided in additional data as below

Drawing approval subject to valid vendor registration **CHIEF ENGINEER**

PLANNING & POWER SYSTEMS

APTRANSCO



OBLUM ELECTRICAL INDUSTRIES PRIVATE LIMITED

A-16 & 17, Assisted Private Industrial Estate, Balanagar, Hyderabad - 500 037. Telangana (INDIA)

Phone : 23771880, 23774184, 23772708, Fax : 0091 (040) 23771106

E-MAIL : sales@oblum.co.in, exports@oblum.co.in, technical@oblum.co.in Website : www.oblum.co.in



ISO 9001 : 2015

Surge Arresters

Ref. No.

Date :

ADDITIONAL DATA		
1	Maximum Partial Discharge level at 1.05COV	Less than 10pC
2	Seismic acceleration	0.3g (Horizontal)
3	Terminal Connector suitable for ACSR Conductor size	Single Moose -Universal take off (As per Drawing No. TC-1832)
4	Silicone content	Min 30%
5	Glass content in FRP rods and tubes	Min 70% of boron free ECR glass

NAME OF FIRM

: OBLUM ELECTRICAL INDUSTRIES PVT. LTD.

SIGNATURE OF BIDDER

:



Drawing approval subject to valid vendor registration

**CHIEF ENGINEER
PLANNING & POWER SYSTEMS
APTRANSCO**