

(ALL DIMENSIONS ARE IN mm)


Drawing approval subject to valid vendor registration

400KV CVT MARSHALLING BOX

END USER : M/s. APTRANSCO
 CUSTOMER : AS APPLICABLE
 P.O. No. : AS APPLICABLE
 Manufacturer : M/s. SRINIVASA ENTRPRISES
 Quantity : AS APPLICABLE
 Drawing No. : SE / APTRANSCO / 400KV CVT MB / 44 / 23-24

**Chief Engineer/Projects
 APTRANSCO/VS/Vijayawada.**

SH.NO.	DESCRIPTION	SHEET NO.
01	COVER SHEET	01 OF 07
02	CONSTRUCTION DETAILS	02 OF 07
03	TERMINAL BLOCKS DETAILS	03 OF 07
04	WIRING DETAILS	04 OF 07
05	GENERAL ARRANGEMENT (1/2)	05 OF 07
06	GENERAL ARRANGEMENT (2/2)	06 OF 07
07	BILL OF MATERIALS	07 OF 07

SUPPLIER : M/s. SRINIVASA ENTERPRISES, HYDERABAD				
DESIGN & MFD BY :				
	M/S.SRINIVASA ENTERPRISES			
	B-5, T.I.E. BALANAGAR			
	HYDERABAD-500 037			
	PH.NO.092463 78045 EMAIL: somana123@yahoo.com			
TITLE :		DRAWING NO :		
400KV CVT MARSHALLING BOX		SE / APTRANSCO / 400KV CVT MB / 44 / 23-24		
		Sheet No : 01	No.of sheets : 07	

	NAME	SIGN	DATE	SCALE
DRN.	Bindu		12-03-2024	UNITS
DGN.	Narasimham		12-03-2024	
APPD.	S.S.Rao		12-03-2024	

NOTE: 1. DRAWING APPROVAL SUBJECT TO VALID TYPE TEST REPORTS, TO BE CHECKED DURING ACCEPTANCE TESTS

24
870

2. FOR EPC CONTRACTS ONLY

(ALL DIMENSIONS ARE IN mm)


Drawing approval subject to valid vendor registration

THIS SPECIFICATION COVERS A PART OF ELECTRICAL EQUIPMENT INCLUDING DESIGN MANUFACTURING, TEST AT SHOP AND LOADING FOR SHIPMENT ETC SPECIFIED HERE IN AFTER	
CLASSIFICATION	PROJECT: <input checked="" type="checkbox"/> DOMESTIC
APPLICABLE STANDARDS	IS <input checked="" type="checkbox"/> IS:3427
NORMAL SERVICE CONDITION	ALTITUDE : <input checked="" type="checkbox"/> < 1000M
	AMBIENT TEMPERATURE <input checked="" type="checkbox"/> 50°C
	RELATIVE HUMIDITY <input checked="" type="checkbox"/> 90%
STRUCTURE	MATERIAL : <input checked="" type="checkbox"/> ALUMINIUM
	TYPE OF APPLICATION : <input checked="" type="checkbox"/> OUTDOOR
	THICKNESS : <input checked="" type="checkbox"/> 3MM
	GLAND PLATE : <input checked="" type="checkbox"/> ALUMINIUM
	THICKNESS: <input checked="" type="checkbox"/> 3MM
CABLE ENTRY DETAILS:	TYPE OF MOUNTING : <input checked="" type="checkbox"/> WALL
	IP PROTECTION CODE : <input checked="" type="checkbox"/> IP55
PAINT SHADE :	OUTSIDE <input checked="" type="checkbox"/> 631 OF IS-5
	INSIDE <input checked="" type="checkbox"/> GLOSSY WHITE
	PAINT THICKNES : <input checked="" type="checkbox"/> 60 MICRONS (MIN.)
	GASKET METERIAL : <input checked="" type="checkbox"/> CROSS LINKED POLY ETHYLENE
	ENCLOSURE DIMENSION : <input checked="" type="checkbox"/> 900(H) x 900(W) x 325(D)
	WEIGHT OF ENCLOSURE : <input checked="" type="checkbox"/> APPROX. 70KGS.
CABLE ENTRY DETAILS:	CABLE ENTRY : <input checked="" type="checkbox"/> BOTTOM
INPECTION & TEST	<input checked="" type="checkbox"/> VISUAL INPECTION
	<input checked="" type="checkbox"/> FUNCTION TEST

SPECIFICATION OF WIRE			
1.1KV PVC INSULATED FLEXIBLE MULTISTRAND COPPER CABLE			
VOLTAGE LEVEL		<input checked="" type="checkbox"/> INLAND	WIRE SIZE
SINGLE PHASE 2 WIRE	PHASE	<input checked="" type="checkbox"/> RED	2.5 SQ.MM <input checked="" type="checkbox"/>
	NEUTRAL	<input checked="" type="checkbox"/> BLACK	
DOOR EARTH/GROUND		<input checked="" type="checkbox"/> GREEN STRIPPED YELLOW	2.5 SQ.MM <input checked="" type="checkbox"/>

- * ALL DOOR & GLAND PLATES WILL BE GASKETTED WITH EPDM RUBBER
- * DISTANCE BETWEEN TWO HINGES SHALL NOT BE MORE THAN 300mm
- * ALL TERMINALS SHALL BE NUMBERED FROM TOP TO BOTTOM
- * EARTHING STUD SHALL BE SUITABLE FOR 50x6GI FLAT

Chief Engineer/Projects
APTRANSCO/Vs/Vijayawada.

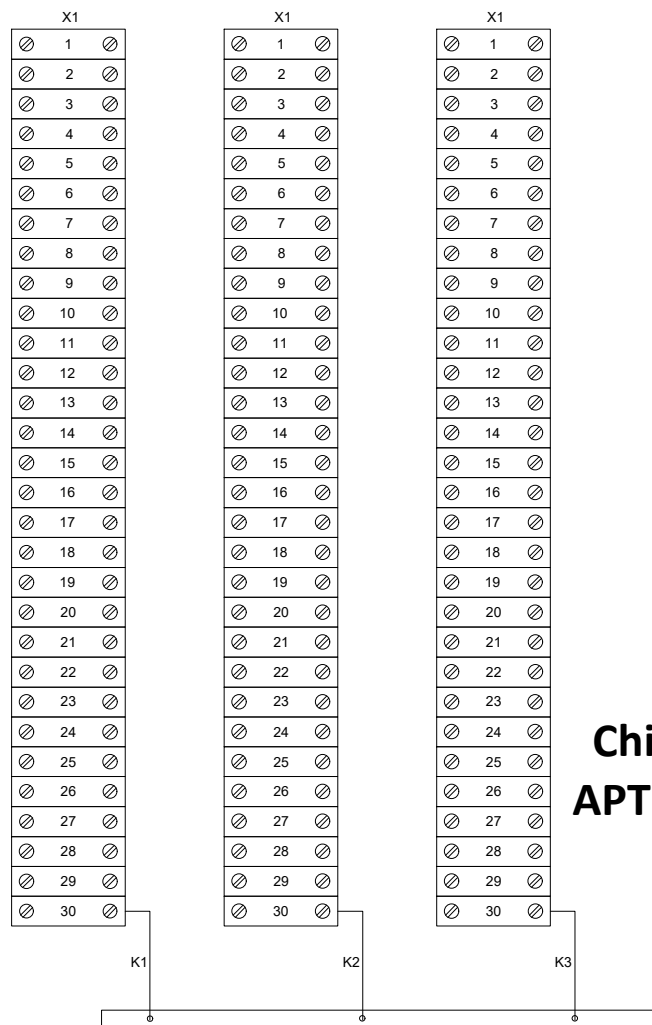
SUPPLIER : M/s. SRINIVASA ENTERPRISES, HYDERABAD				
DESIGN & MFD BY :				
	M/S.SRINIVASA ENTERPRISES			
	B-5, T.I.E. BALANAGAR			
	HYDERABAD-500 037			
	PH.NO.092463 78045 EMAIL: somana123@yahoo.com			
TITLE :		400KV CVT MARSHALLING BOX		
DRN.	Bindu	SIGN	DATE	SCALE
DGN.	Narasimham		12-03-2024	UNITS
APPD.	S.S.Rao		12-03-2024	
DRAWING NO : SE / APTRANSCO / 400KV CVT MB / 44 / 23-24				
Sheet No : 02		No.of sheets : 07		

NOTE: 1. DRAWING APPROVAL SUBJECT TO VALID TYPE TEST REPORTS, TO BE CHECKED DURING ACCEPTANCE TESTS
 2. FOR EPC CONTRACTS ONLY

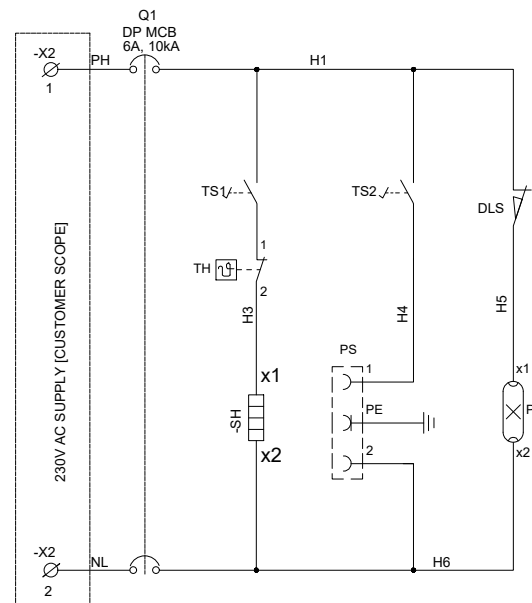
(ALL DIMENSIONS ARE IN mm)

Drawing approval subject to valid vendor registration

TERMINAL BLOCKS-90 Nos



HEATER, SOCKET, DOOR LAMP CKT



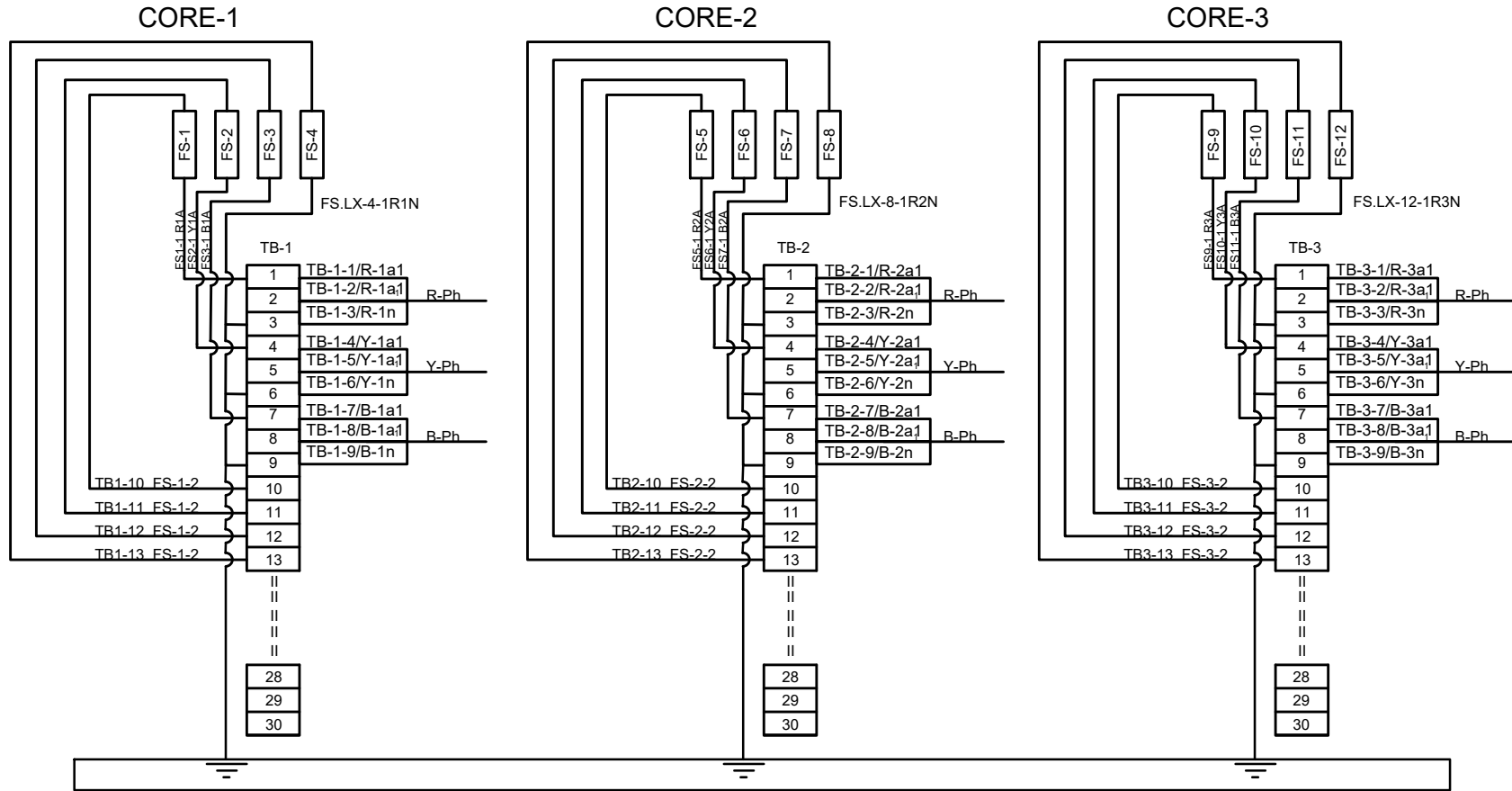
**Chief Engineer/Projects
 APTRANSCO/VS/Vijayawada.**

SUPPLIER : M/s. SRINIVASA ENTERPRISES, HYDERABAD				
DESIGN & MFD BY : M/S.SRINIVASA ENTERPRISES B-5, T.I.E. BALANAGAR HYDERABAD-500 037 PH.NO.092463 78045 EMAIL: somana123@yahoo.com				
DRN.	Bindu		12-03-2024	SCALE UNITS
DGN.	Narasimham		12-03-2024	
APPD.	S.S.Rao		12-03-2024	
DRAWING NO : SE / APTRANSCO / 400KV CVT MB / 44 / 23-24				
Sheet No : 03		No.of sheets : 07		


NOTE: 1. DRAWING APPROVAL SUBJECT TO VALID TYPE TEST REPORTS, TO BE CHECKED DURING ACCEPTANCE TESTS
 2. FOR EPC CONTRACTS ONLY

(ALL DIMENSIONS ARE IN mm)

Drawing approval subject to valid vendor registration

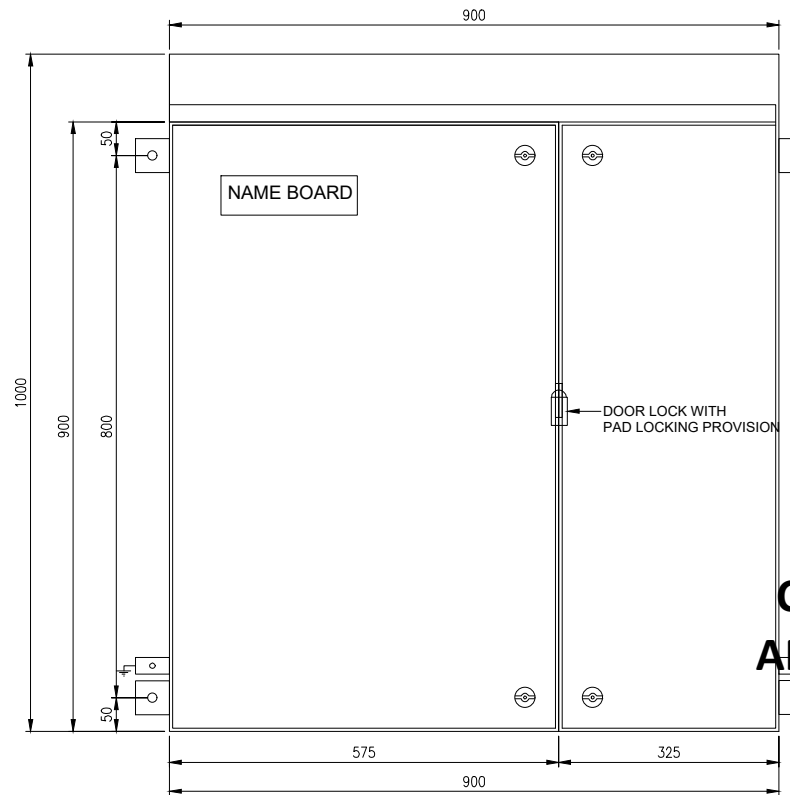


Chief Engineer/Projects
APTRANSCO/VS/Vijayawada.

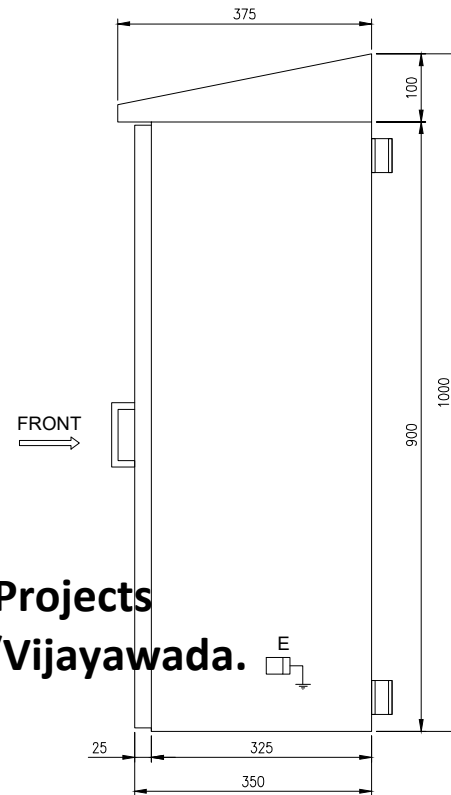
SUPPLIER : M/s. SRINIVASA ENTERPRISES, HYDERABAD				
DESIGN & MFD BY :				
 M/S.SRINIVASA ENTERPRISES B-5, T.I.E. BALANAGAR HYDERABAD-500 037 PH.NO.092463 78045 EMAIL: somana123@yahoo.com				
	NAME	SIGN	DATE	SCALE
DRN.	Bindu		12-03-2024	UNITS
DGN.	Narasimham		12-03-2024	
APPD	S.S.Rao		12-03-2024	
DRAWING NO :				
SE / APTRANSCO / 400KV CVT MB / 44 / 23-24				
Sheet No : 02			No.of sheets : 07	

NOTE: 1. DRAWING APPROVAL SUBJECT TO VALID TYPE TEST REPORTS, TO BE CHECKED DURING ACCEPTANCE TESTS
 2. FOR EPC CONTRACTS ONLY

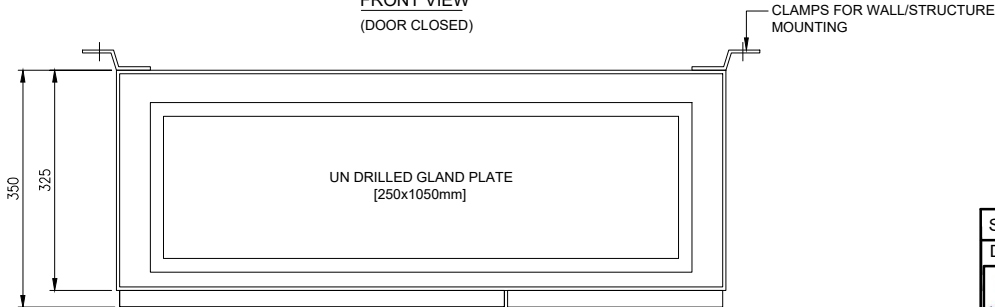
(ALL DIMENSIONS ARE IN mm)



FRONT VIEW
(DOOR CLOSED)



LH SIDE VIEW




UN DRILLED GLAND PLATE
[250x1050mm]

BOTTOM VIEW

**Chief Engineer/Projects
APTRANSCO/VS/Vijayawada.**

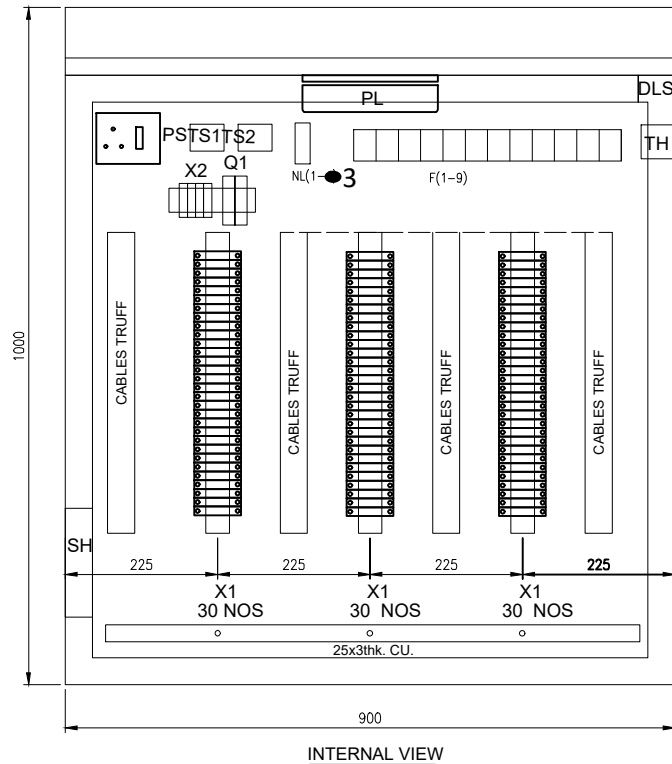
Drawing approval subject to valid vendor registration

SUPPLIER : M/s. SRINIVASA ENTERPRISES, HYDERABAD					
DESIGN & MFD BY :		NAME	SIGN	DATE	SCALE
 M/S.SRINIVASA ENTERPRISES B-5, T.I.E. BALANAGAR HYDERABAD-500 037 PH.NO.092463 78045 EMAIL: somana123@yahoo.com	DRN.	Bindu		12-03-2024	UNITS
	DGN.	Narasimham		12-03-2024	
	APPD.	S.S.Rao		12-03-2024	
	DRAWING NO : SE / APTRANSCO / 400KV CVT MB / 44 / 23-24				
TITLE : 400KV CVT MARSHALLING BOX		Sheet No : 04		No.of sheets : 07	

NOTE: 1. DRAWING APPROVAL SUBJECT TO VALID TYPE TEST REPORTS, TO BE CHECKED DURING ACCEPTANCE TESTS
 2. FOR EPC CONTRACTS ONLY

(ALL DIMENSIONS ARE IN mm)


Drawing approval subject to valid vendor registration



NOTES:

- * THERE SHALL BE END PLATES AND STOPPERS ON BOTH TOP AND BOTTOM OF EACH SET OF TBS.
- * THERE SHALL BE GROUP MARKER FOR EACH SET

**Chief Engineer/Projects
 APTRANSCO/Vs/Vijayawada.**

SUPPLIER : M/s. SRINIVASA ENTERPRISES, HYDERABAD					
DESIGN & MFD BY :		NAME	SIGN	DATE	SCALE
 M/S.SRINIVASA ENTERPRISES B-5, T.I.E. BALANAGAR HYDERABAD-500 037 PH.NO.092463 78045 EMAIL: somana123@yahoo.com	DRN.	Bindu		12-03-2024	UNITS
	DGN.	Narasimham		12-03-2024	
	APPD.	S.S.Rao		12-03-2024	
	DRAWING NO :				
TITLE :		SE / APTRANSCO / 400KV CVT MB / 44 / 23-24			
		Sheet No : 05	No.of sheets : 07		


NOTE: 1. DRAWING APPROVAL SUBJECT TO VALID TYPE TEST REPORTS, TO BE CHECKED DURING ACCEPTANCE TESTS
 2. FOR EPC CONTRACTS ONLY

(ALL DIMENSIONS ARE IN mm)

BILL OF MATERIALS					
SI.NO	CKT Item Description	I/P Item Description	QTY	UOM	Make
1	DLS	DOOR LIMIT SWITCH	1	NOS	STD vendor
2	PL	PANEL LAMP-5W LED	1	NOS	FINOLEX/CROMPTON/PHILLIPS
3	TH	THERMOSTAT (30-85 Deg.C) 15A-250VAC+1NC+BRACK	1	NOS	STD vendor/GIRISHEGO
4	SH	SPACE HEATER-100W-230V AC	1	NOS	GIRISHEGO/STD
5	Q1	MCB-6A-2P-10KA-AC - C Curve	1	NOS	L&T/HAVELLS/C&S/ELMEASURE
6	TS-1 & TS-2	TOGGLE SWITCH-PM-SPST-ON/OFF-10A	2	NOS	STD vendor
7	PS	PLUG AND SOCKET-240V,20A,2P+E	1	NOS	C&S/ANCHOR/STD
8	Earth Busbar	Bus bar-25x3Sq.mm Cu	As reqd	NOS	STD vendor
9	X1	Disconnecting Terminal Blocks-Power-41A-Single	90	NOS	ELMEX / CONNECTWELL
10	X2,1spare	Stud type Terminal Blocks-Power-57A-Single-M4	3	NOS	ELMEX / CONNECTWELL
11	F (1-9)	HRC FUSE WITH FUSE BASE- 6 Amps	9	NOS	C&S/FTC/Reputed
12	NL	NEUTRAL LINK-15A	3	NOS	STD vendor/FTC/SURAJ

Drawing approval subject to valid vendor registration

Chief Engineer/Projects
APTRANSCO/VS/Vijayawada.

SUPPLIER : M/s. SRINIVASA ENTERPRISES, HYDERABAD					
DESIGN & MFD BY :		NAME	SIGN	DATE	SCALE
	M/S.SRINIVASA ENTERPRISES	DRN.	Bindu	12-03-2024	UNITS
	B-5, T.I.E. BALANAGAR	DGN.	Narasimham	12-03-2024	
	HYDERABAD-500 037	APPD.	S.S.Rao	12-03-2024	
	PH.NO.092463 78045				
EMAIL: somana123@yahoo.com		DRAWING NO :			
TITLE :		SE / APTRANSCO / 400KV CVT MB / 44 / 23-24			
400KV CVT MARSHALLING BOX		Sheet No : 07		No.of sheets : 07	