

EPC works only

415V AC OUTDOOR LIGHTING BOARD WITH TIMER

CLIENT : TRANSMISSION CORPORATION OF ANDHRA PRADESH

CONTRACTOR : AS APPLICABLE

PROJECT : AS APPLICABLE Drawing approval subject to valid vendor registration

Manufacturer : M/s. SRINIVASA ENTRPRISES

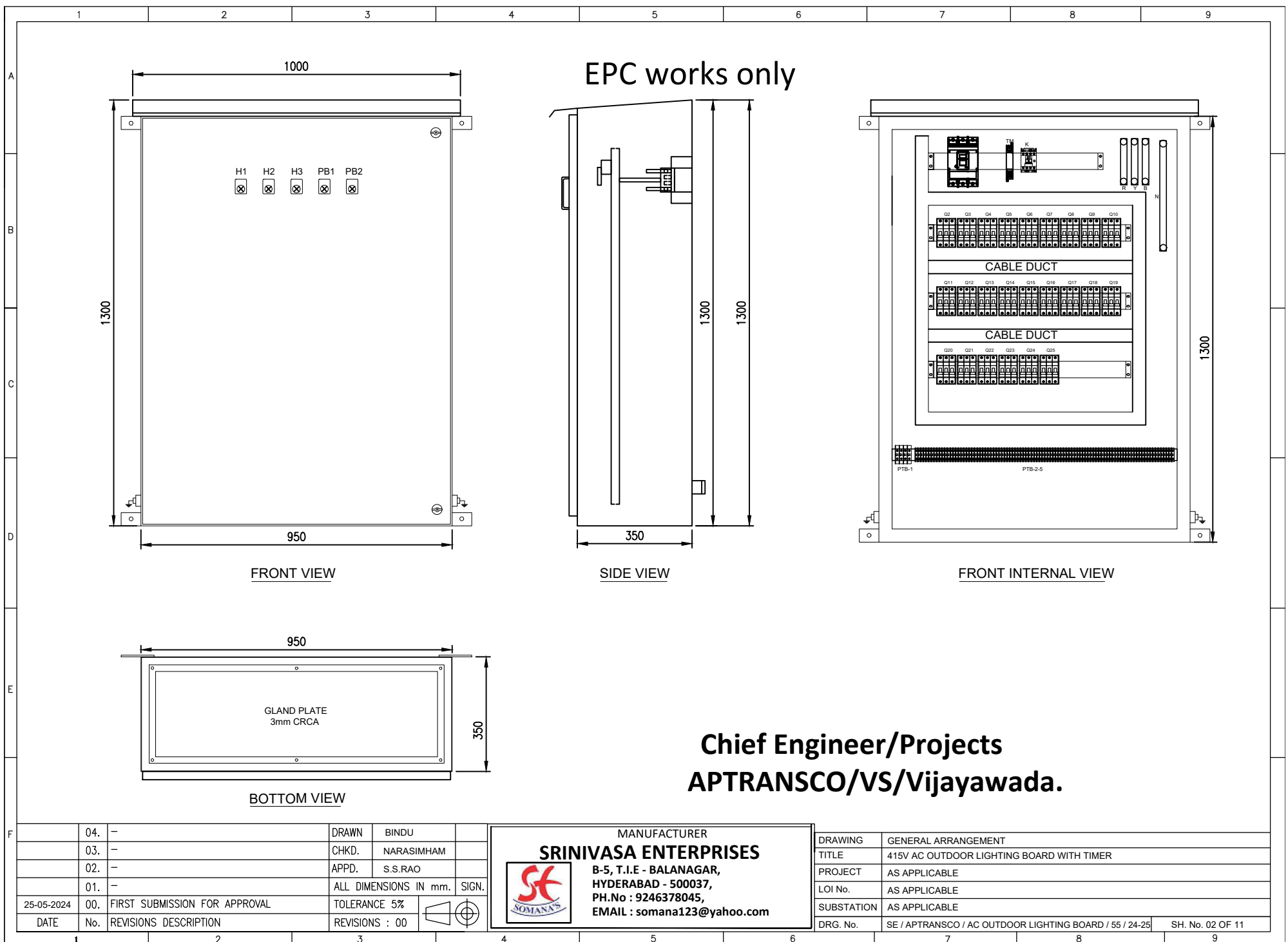
Quantity : AS APPLICABLE

Drawing No. : SE / APTRANSCO / AC OUTDOOR LIGHTING BOARD / 55 / 24-25

SH.NO.	DESCRIPTION	SHEET NO.	REV. No.
01	COVER SHEET & TABLE OF CONTENT	01 OF 11	R0
02	GENERAL ARRANGEMENT	02 OF 11	R0
03	GENERAL NOTES	03 OF 11	R0
04	SINGLE LINE DIAGRAM (1/2)	04 OF 11	R0
05	SINGLE LINE DIAGRAM (2/2)	05 OF 11	R0
06	POWER CIRCUIT DIAGRAM (1/3)	06 OF 11	R0
07	POWER CIRCUIT DIAGRAM (2/3)	07 OF 11	R0
08	POWER CIRCUIT DIAGRAM (3/3)	08 OF 11	R0
09	TERMINAL BLOCK DETAILS (1/2)	09 OF 11	R0
10	TERMINAL BLOCK DETAILS (2/2)	10 OF 11	R0
11	BILL OF MATERIALS	11 OF 11	R0


Chief Engineer/Projects
APTRANSCO/VS/Vijayawada.

04.	-	DRAWN	BINDU			DRAWING	COVER SHEET & TABLE OF CONTENT
03.	-	CHKD.	NARASIMHAM			TITLE	415V AC OUTDOOR LIGHTING BOARD WITH TIMER
02.	-	APPD.	S.S.RAO			PROJECT	AS APPLICABLE
01.	-	ALL DIMENSIONS IN mm.		SIGN.		LOI No.	AS APPLICABLE
25-05-2024	00.	FIRST SUBMISSION FOR APPROVAL		TOLERANCE 5%		SUBSTATION	AS APPLICABLE
DATE	No.	REVISIONS DESCRIPTION		REVISIONS : 00		DRG. No.	SE / APTRANSCO / AC OUTDOOR LIGHTING BOARD / 55 / 24-25
1	2	3	4	5	6	7	8
							SH. No. 01 OF 11
							9



EPC works only

Chief Engineer/Projects
APTRANSCO/VS/Vijayawada.

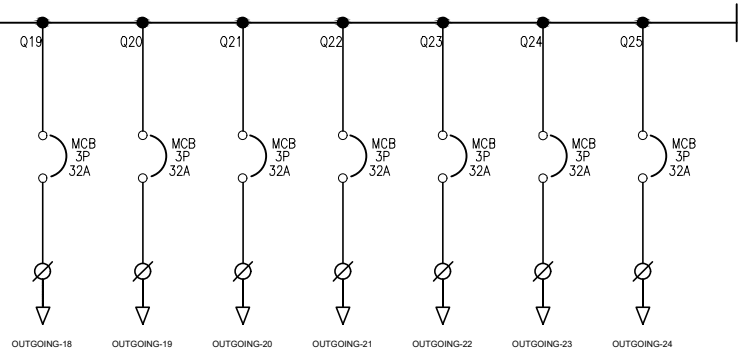
F	04.	-	DRAWN	BINDU	
	03.	-	CHKD.	NARASIMHAM	
	02.	-	APPD.	S.S.RAO	
	01.	-	ALL DIMENSIONS IN mm.		SIGN.
25-05-2024	00.	FIRST SUBMISSION FOR APPROVAL	TOLERANCE 5%		
DATE	No.	REVISIONS DESCRIPTION	REVISIONS : 00		

MANUFACTURER
SRINIVASA ENTERPRISES
B-5, T.I.E - BALANAGAR,
HYDERABAD - 500037,
PH.No : 9246378045,
EMAIL : somana123@yahoo.com



DRAWING	GENERAL ARRANGEMENT
TITLE	415V AC OUTDOOR LIGHTING BOARD WITH TIMER
PROJECT	AS APPLICABLE
LOI No.	AS APPLICABLE
SUBSTATION	AS APPLICABLE
DRG. No.	SE / APTRANSCO / AC OUTDOOR LIGHTING BOARD / 55 / 24-25
	SH. No. 02 OF 11

Drawing approval subject to valid vendor registration



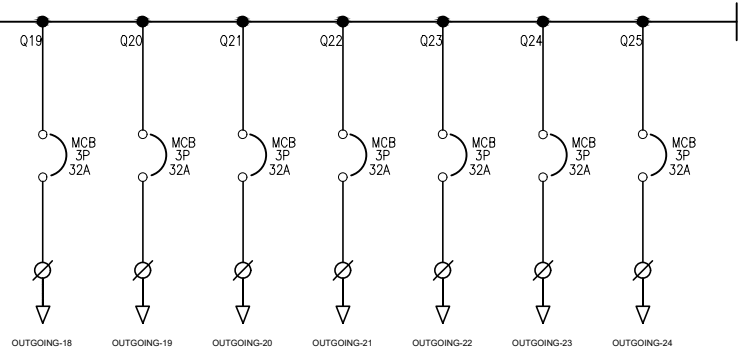

**Chief Engineer/Projects
APTRANSCO/VIS/Vijayawada.**

	04.	-	DRAWN	BINDU	
	03.	-	CHKD.	NARASIMHAM	
	02.	-	APPD.	S.S.RAO	
	01.	-	ALL DIMENSIONS IN mm.		SIGN.
25-05-2024	00.	FIRST SUBMISSION FOR APPROVAL	TOLERANCE 5%		
DATE	No.	REVISIONS DESCRIPTION	REVISIONS : 00		

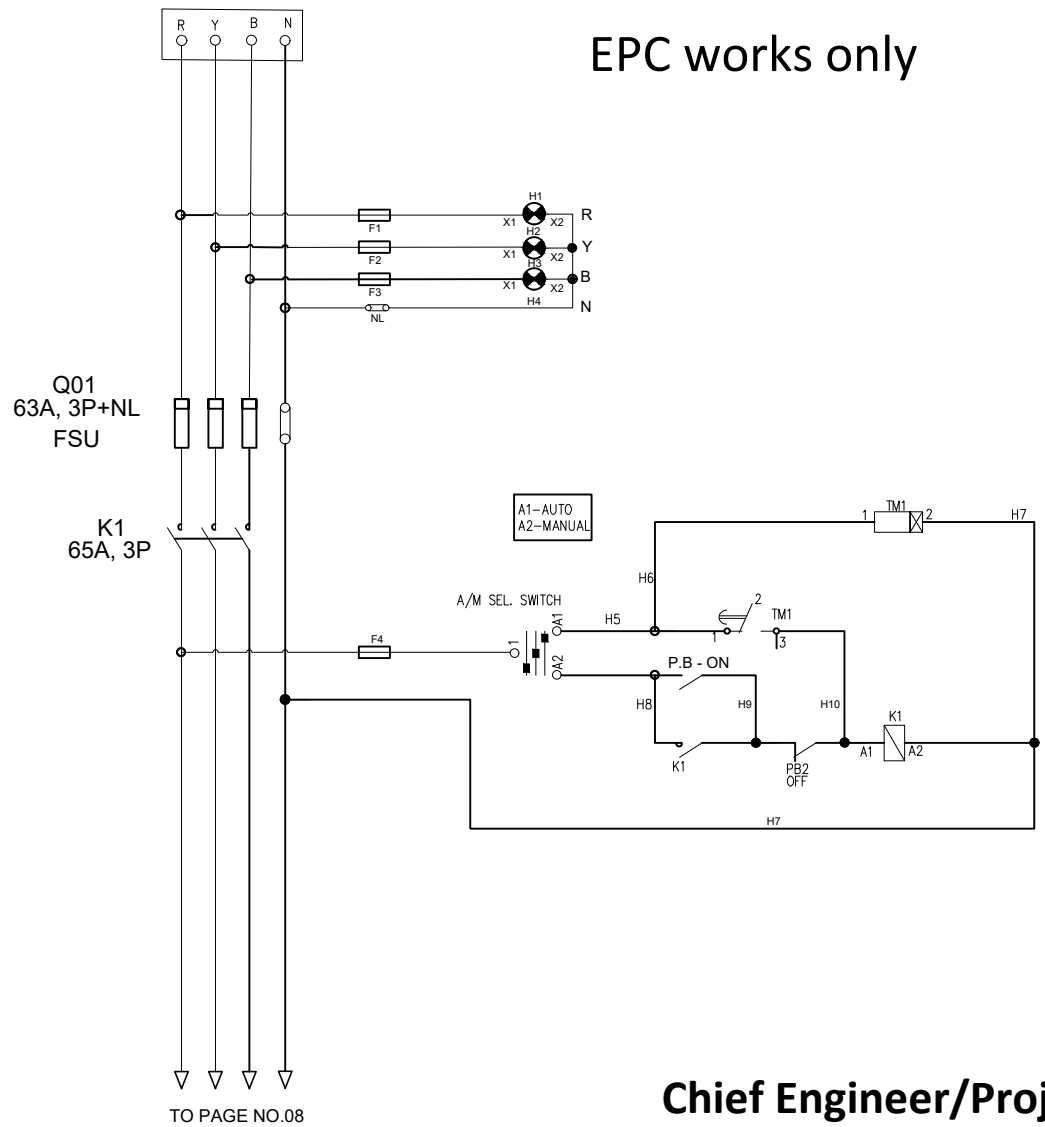
MANUFACTURER
SRINIVASA ENTERPRISES
B-5, T.I.E - BALANAGAR,
HYDERABAD - 500037,
PH.No : 9246378045,
EMAIL : somana123@yahoo.com



DRAWING	SINGLE LINE DIAGRAM (2/2)
TITLE	415V AC OUTDOOR LIGHTING BOARD WITH TIMER
PROJECT	AS APPLICABLE
LOI No.	AS APPLICABLE
SUBSTATION	AS APPLICABLE
DRG. No.	SE / APTRANSCO / AC OUTDOOR LIGHTING BOARD / 55 / 24-25
	SH. No. 05 OF 11

	1	2	3	4	5	6	7	8	9																																																		
A	Drawing approval subject to valid vendor registration																																																										
B																																																											
C																																																											
D																																																											
E	<p>Chief Engineer/Projects APTRANSCO/VIS/Vijayawada.</p>																																																										
F	<table border="1"> <tr> <td></td> <td>04.</td> <td>-</td> <td>DRAWN</td> <td>BINDU</td> <td></td> </tr> <tr> <td></td> <td>03.</td> <td>-</td> <td>CHKD.</td> <td>NARASIMHAM</td> <td></td> </tr> <tr> <td></td> <td>02.</td> <td>-</td> <td>APPD.</td> <td>S.S.RAO</td> <td></td> </tr> <tr> <td></td> <td>01.</td> <td>-</td> <td colspan="2">ALL DIMENSIONS IN mm.</td> <td>SIGN.</td> </tr> <tr> <td>25-05-2024</td> <td>00.</td> <td>FIRST SUBMISSION FOR APPROVAL</td> <td colspan="2">TOLERANCE 5%</td> <td></td> </tr> <tr> <td>DATE</td> <td>No.</td> <td>REVISIONS DESCRIPTION</td> <td>REVISIONS : 00</td> <td></td> <td></td> </tr> </table>				04.	-	DRAWN	BINDU			03.	-	CHKD.	NARASIMHAM			02.	-	APPD.	S.S.RAO			01.	-	ALL DIMENSIONS IN mm.		SIGN.	25-05-2024	00.	FIRST SUBMISSION FOR APPROVAL	TOLERANCE 5%			DATE	No.	REVISIONS DESCRIPTION	REVISIONS : 00			<p style="text-align: center;">MANUFACTURER SRINIVASA ENTERPRISES B-5, T.I.E - BALANAGAR, HYDERABAD - 500037, PH.No : 9246378045, EMAIL : somana123@yahoo.com</p> 			<table border="1"> <tr> <td>DRAWING</td> <td>SINGLE LINE DIAGRAM (2/2)</td> </tr> <tr> <td>TITLE</td> <td>415V AC OUTDOOR LIGHTING BOARD WITH TIMER</td> </tr> <tr> <td>PROJECT</td> <td>AS APPLICABLE</td> </tr> <tr> <td>LOI No.</td> <td>AS APPLICABLE</td> </tr> <tr> <td>SUBSTATION</td> <td>AS APPLICABLE</td> </tr> <tr> <td>DRG. No.</td> <td>SE / APTRANSCO / AC OUTDOOR LIGHTING BOARD / 55 / 24-25</td> </tr> <tr> <td></td> <td>SH. No. 05 OF 11</td> </tr> </table>			DRAWING	SINGLE LINE DIAGRAM (2/2)	TITLE	415V AC OUTDOOR LIGHTING BOARD WITH TIMER	PROJECT	AS APPLICABLE	LOI No.	AS APPLICABLE	SUBSTATION	AS APPLICABLE	DRG. No.	SE / APTRANSCO / AC OUTDOOR LIGHTING BOARD / 55 / 24-25		SH. No. 05 OF 11
	04.	-	DRAWN	BINDU																																																							
	03.	-	CHKD.	NARASIMHAM																																																							
	02.	-	APPD.	S.S.RAO																																																							
	01.	-	ALL DIMENSIONS IN mm.		SIGN.																																																						
25-05-2024	00.	FIRST SUBMISSION FOR APPROVAL	TOLERANCE 5%																																																								
DATE	No.	REVISIONS DESCRIPTION	REVISIONS : 00																																																								
DRAWING	SINGLE LINE DIAGRAM (2/2)																																																										
TITLE	415V AC OUTDOOR LIGHTING BOARD WITH TIMER																																																										
PROJECT	AS APPLICABLE																																																										
LOI No.	AS APPLICABLE																																																										
SUBSTATION	AS APPLICABLE																																																										
DRG. No.	SE / APTRANSCO / AC OUTDOOR LIGHTING BOARD / 55 / 24-25																																																										
	SH. No. 05 OF 11																																																										
	1	2	3	4	5	6	7	8	9																																																		

EPC works only



TO PAGE NO.08

Chief Engineer/Projects
APTRANSCO/VS/Vijayawada.

F	04.	-	DRAWN	BINDU	
	03.	-	CHKD.	NARASIMHAM	
	02.	-	APPD.	S.S.RAO	
	01.	-	ALL DIMENSIONS IN mm.		SIGN.
25-05-2024	00.	FIRST SUBMISSION FOR APPROVAL	TOLERANCE	5%	
DATE	No.	REVISIONS DESCRIPTION	REVISIONS	: 00	

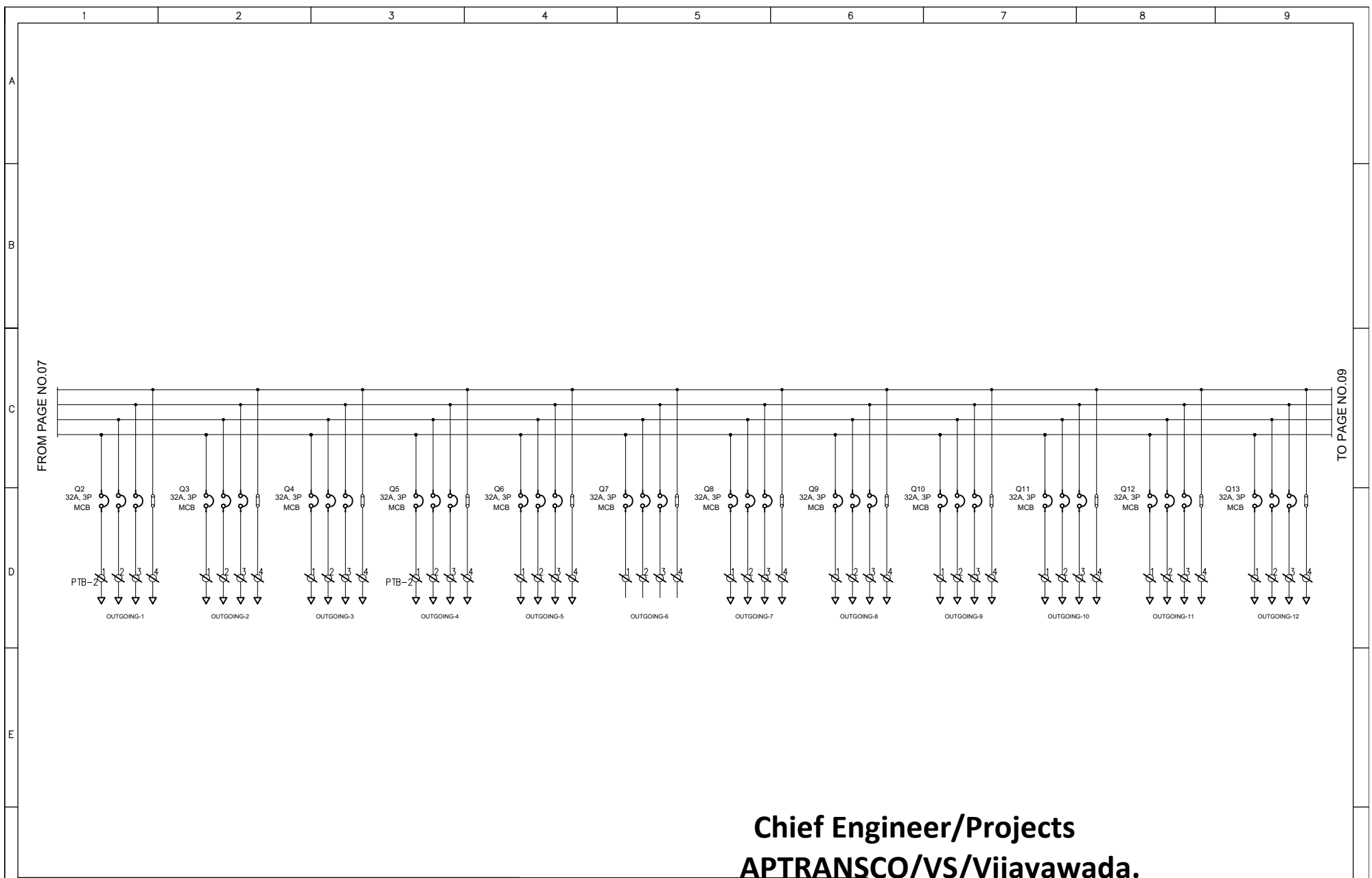
MANUFACTURER

SRINIVASA ENTERPRISES

B-5, T.I.E - BALANAGAR,
HYDERABAD - 500037,
PH.No : 9246378045,
EMAIL : somana123@yahoo.com



DRAWING	POWER CIRCUIT DIAGRAM (1/3)
TITLE	415V AC OUTDOOR LIGHTING BOARD WITH TIMER
PROJECT	AS APPLICABLE
LOI No.	AS APPLICABLE
SUBSTATION	AS APPLICABLE
DRG. No.	SE / APTRANSCO / AC OUTDOOR LIGHTING BOARD / 55 / 24-25
	SH. No. 06 OF 11



Chief Engineer/Projects
APTRANSCO/VS/Vijayawada.

04.	-	DRAWN	BINDU	
03.	-	CHKD.	NARASIMHAM	
02.	-	APPD.	S.S.RAO	
01.	-	ALL DIMENSIONS IN mm.		SIGN.
25-05-2024	00.	FIRST SUBMISSION FOR APPROVAL		TOLERANCE 5%
DATE	No.	REVISIONS	DESCRIPTION	REVISIONS : 00

MANUFACTURER
SRINIVASA ENTERPRISES

**B-5, T.I.E - BALANAGAR,
HYDERABAD - 500037,
PH.No : 9246378045,
EMAIL : somana123@yahoo.com**

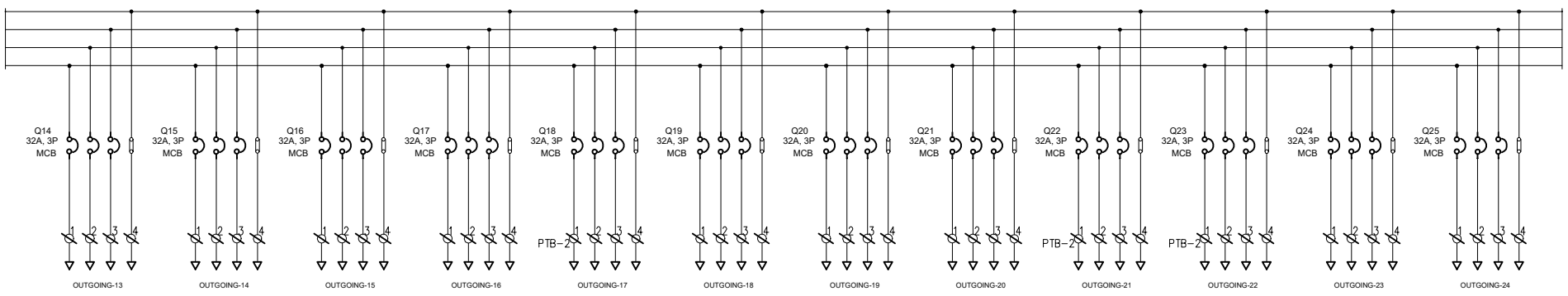


DRAWING	POWER CIRCUIT DIAGRAM (2/3)
TITLE	415V AC OUTDOOR LIGHTING BOARD WITH TIMER
PROJECT	AS APPLICABLE
LOI No.	AS APPLICABLE
SUBSTATION	AS APPLICABLE
DRG. No.	SE / APTRANSCO / AC OUTDOOR LIGHTING BOARD / 55 / 24-25
	SH. No. 07 OF 11

EPC works only

Drawing approval subject to valid vendor registration

FROM PAGE NO.08



Chief Engineer/Projects
APTRANSCO/Vs/Vijayawada.

	04.	-	DRAWN	BINDU	
	03.	-	CHKD.	NARASIMHAM	
	02.	-	APPD.	S.S.RAO	
	01.	-	ALL DIMENSIONS IN mm.		SIGN.
25-05-2024	00.	FIRST SUBMISSION FOR APPROVAL	TOLERANCE	5%	
DATE	No.	REVISIONS DESCRIPTION	REVISIONS	: 00	

MANUFACTURER

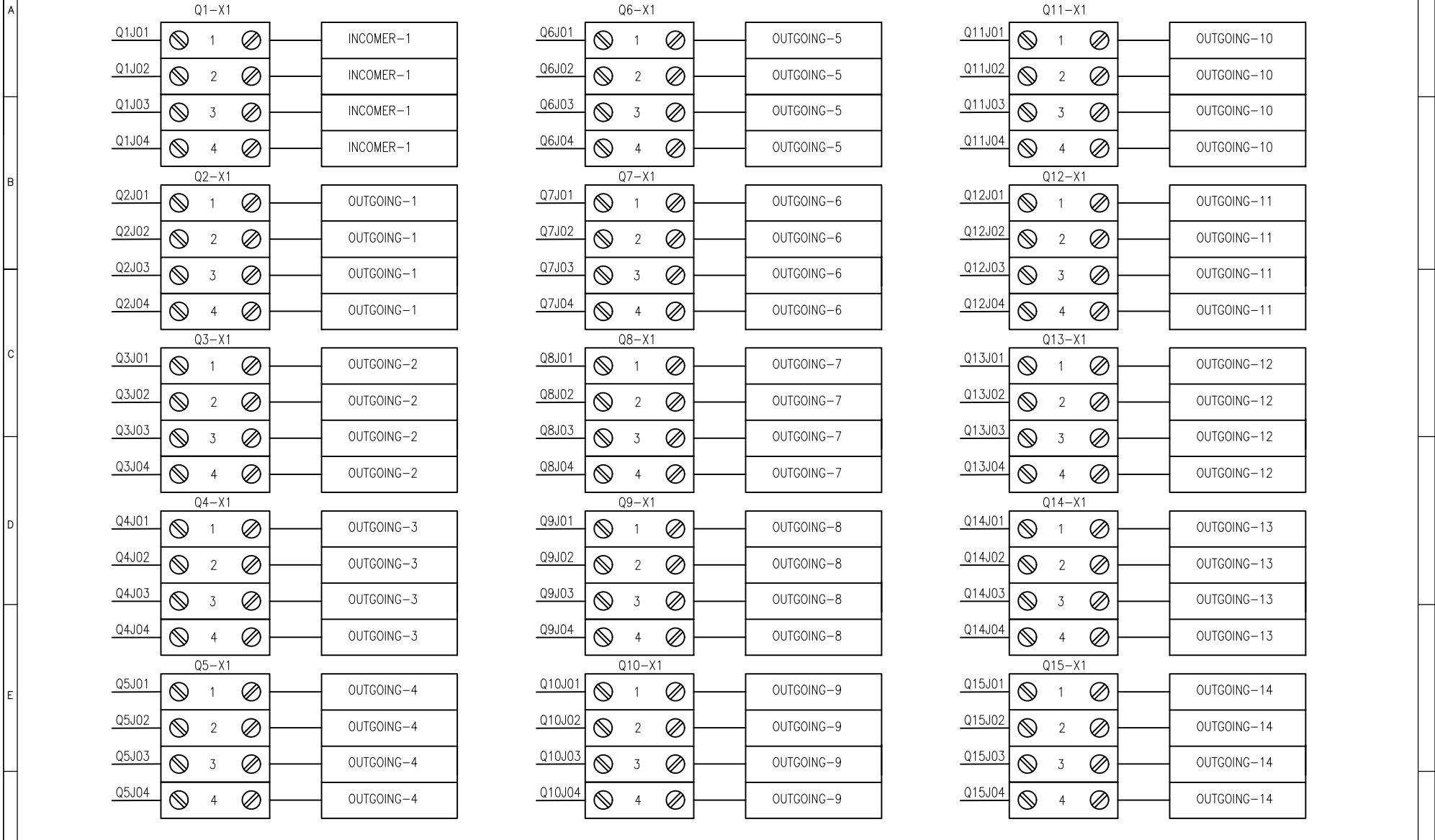
SRINIVASA ENTERPRISES

B-5, T.I.E - BALANAGAR,
HYDERABAD - 500037,
PH.No : 9246378045,
EMAIL : somana123@yahoo.com



DRAWING	POWER CIRCUIT DIAGRAM (3/3)
TITLE	415V AC OUTDOOR LIGHTING BOARD WITH TIMER
PROJECT	AS APPLICABLE
LOI No.	AS APPLICABLE
SUBSTATION	AS APPLICABLE
DRG. No.	SE / APTRANSCO / AC OUTDOOR LIGHTING BOARD / 55 / 24-25
	SH. No. 08 OF 11

EPC works only

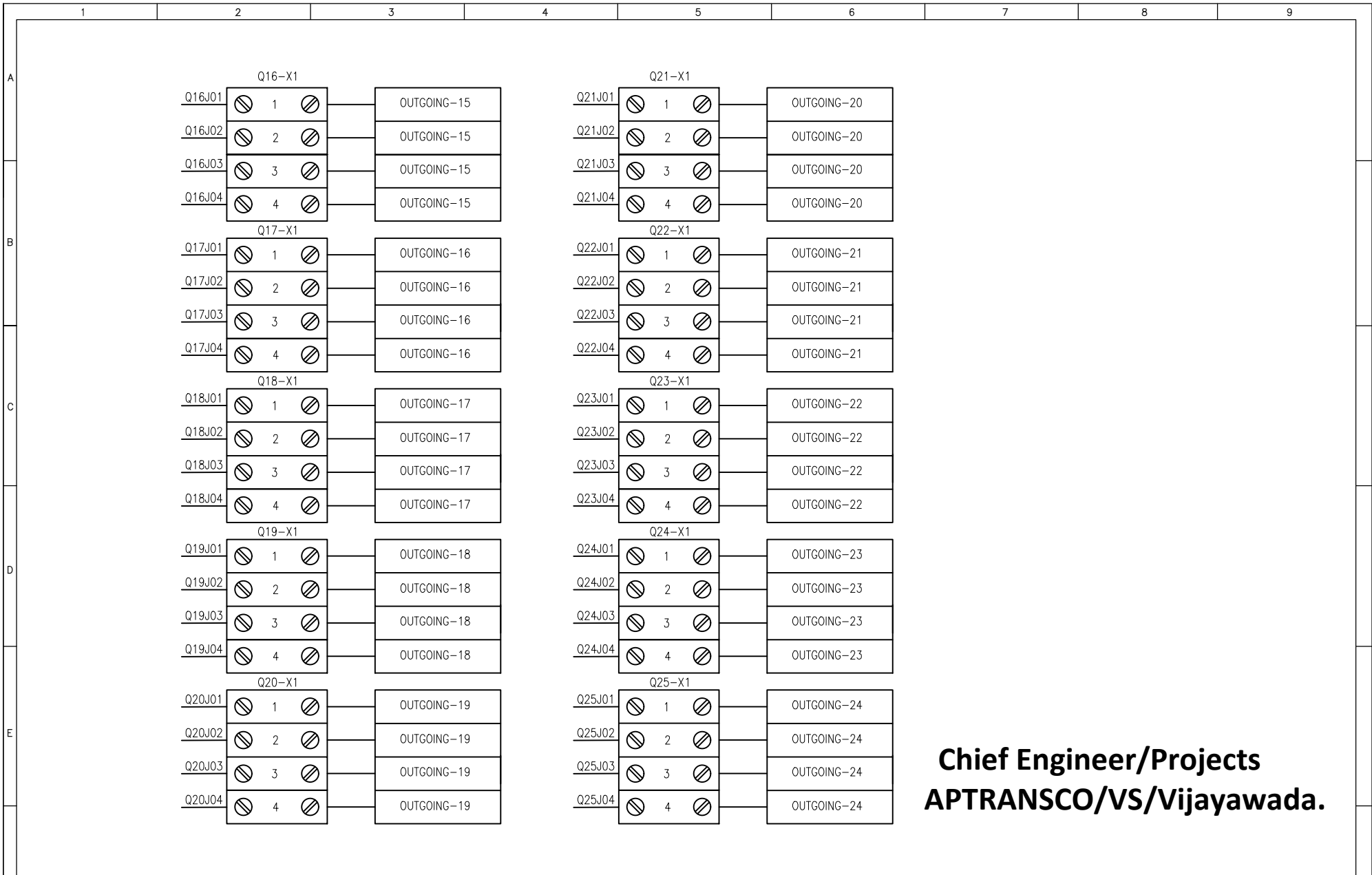


F	04.	-	DRAWN	BINDU	
	03.	-	CHKD.	NARASIMHAM	
	02.	-	APPD.	S.S.RAO	
	01.	-	ALL DIMENSIONS IN mm.		SIGN.
25-05-2024	00.	FIRST SUBMISSION FOR APPROVAL	TOLERANCE 5%		
DATE	No.	REVISIONS DESCRIPTION	REVISIONS : 00		

MANUFACTURER
SRINIVASA ENTERPRISES
B-5, T.I.E - BALANAGAR,
HYDERABAD - 500037,
PH.No : 9246378045,
EMAIL : somana123@yahoo.com



DRAWING	TERMINAL BLOCK DETAILS (1/2)
TITLE	415V AC OUTDOOR LIGHTING BOARD WITH TIMER
PROJECT	AS APPLICABLE
LOI No.	AS APPLICABLE
SUBSTATION	AS APPLICABLE
DRG. No.	SE / APTRANSCO / AC OUTDOOR LIGHTING BOARD / 55 / 24-25
	SH. No. 09 OF 11



**Chief Engineer/Projects
APTRANSCO/VS/Vijayawada.**

F		04.	-	DRAWN	BINDU			MANUFACTURER		DRAWING		TERMINAL BLOCK DETAILS (2/2)
		03.	-	CHKD.	NARASIMHAM			SRINIVASA ENTERPRISES		TITLE		415V AC OUTDOOR LIGHTING BOARD WITH TIMER
		02.	-	APPD.	S.S.RAO			B-5, T.I.E - BALANAGAR, HYDERABAD - 500037, PH.No : 9246378045, EMAIL : somana123@yahoo.com		PROJECT		AS APPLICABLE
		01.	-	ALL DIMENSIONS IN mm.		SIGN.			LOI No.		AS APPLICABLE	
25-05-2024	00.	FIRST SUBMISSION FOR APPROVAL		TOLERANCE 5%				SUBSTATION		AS APPLICABLE		
DATE	No.	REVISIONS DESCRIPTION		REVISIONS : 00				DRG. No.		SE / APTRANSCO / AC OUTDOOR LIGHTING BOARD / 55 / 24-25		SH. No. 10 OF 11
1	2	3	4	5	6	7	8	9				

EPC works only

Drawing approval subject to valid vendor registration

BILL OF MATERIAL:

SLNO	UOM	DISCRIPTION	MAKE	Nos	QTY
1	F1-F4	HRC FUSE WITH BASE 6A	L&T/ABB/C&S/SCHNEIDER	Nos	4
2	Q1	FUSE SWITCH UNIT 63A,TPN, ON/OFF	L&T/ABB/C&S	Nos	1
3	Q1	HRC FUSE 63A-SLOW	L&T/ABB/C&S	Nos	3
4	H1	INDICATION LAMP,22.5DIA, 240V AC, RED COLOUR	L&T/ABB/C&S	Nos	1
5	H2	INDICATION LAMP,22.5DIA, 240V AC, RED COLOUR	L&T/ABB/C&S	Nos	1
6	H3	INDICATION LAMP,22.5DIA, 240V AC, RED COLOUR	Connect well/Elmex	Nos	1
7	K1	POWER CONTACTOR 65A, 3P, 240V AC WITH 1NO+1NC	L&T/ABB/C&S	Nos	1
8	NL(1-2)	DISCONNECTING TYPE NEUTRAL LINK 15A	STD VENDOR	Nos	2
9	PB1	PUSH BUTTON GREEN COLOUR WITH 1NO ELEMENT	L&T/ABB/C&S	Nos	1
10	PB2	PUSH BUTTON RED COLOUR WITH 1NC ELEMENT	L&T/ABB/C&S	Nos	1
11	PTB-1	POWER TERMINAL BLOCKS 76A, SINGLE-M5	ELMEX-CBT-M5	Nos	4
12	PTB2-5	POWER TERMINAL BLOCKS 57A, SINGLE-M4	ELMEX-CBT-M4	Nos	96
13	Q2-Q25	MINIATURE CIRCUIT BREAKER 32A, 3P, C-CURVE.230V	L&T/ABB/C&S/SCHNEIDER	Nos	24
14	A/M SW	ROTARY SWITCH 6A, 1P, 2 WITH OFF	SALZER	Nos	1
15	TM	DIALY DIAL TIME SWITCH 240V AC 1C/O-BASE	L&T	Nos	1
16	P-B-ON	PUSH BUTTON	L&T/ABB/C&S	Nos	1

**Chief Engineer/Projects
APTRANSCO/Vs/Vijayawada.**

04.	-	DRAWN	BINDU			DRAWING	BILL OF MATERIALS	
03.	-	CHKD.	NARASIMHAM			TITLE	415V AC OUTDOOR LIGHTING BOARD WITH TIMER	
02.	-	APPD.	S.S.RAO			PROJECT	AS APPLICABLE	
01.	-	ALL DIMENSIONS IN mm.		SIGN.		LOI No.	AS APPLICABLE	
25-05-2024	00.	FIRST SUBMISSION FOR APPROVAL		TOLERANCE 5%		SUBSTATION	AS APPLICABLE	
DATE	No.	REVISIONS DESCRIPTION		REVISIONS : 00		DRG. No.	SE / APTRANSCO / AC OUTDOOR LIGHTING BOARD / 55 / 24-25	SH. No. 11 OF 11
1	2	3	4	5	6	7	8	9

MANUFACTURER
SRINIVASA ENTERPRISES
B-5, T.I.E - BALANAGAR,
HYDERABAD - 500037,
PH.No : 9246378045,
EMAIL : somana123@yahoo.com

