



GREEN SECURE ENERGY SYSTEMS,.

EPC works only

415 OUTDOOR AC LIGHTING BOARD WITH TIMER

Customer : M/s. APTRANSCO
 Project Name : AS APPLICABLE
 CONTRACTOR : AS APPLICABLE

Manufacturer : M/s. Green Secure Energy Systems
 P.O. No. : AS APPLICABLE
 Job No. : AS APPLICABLE
 Drawing No. :GSS-23-24-041ACLDB
 Quantity : AS APPLICABLE

Chief Engineer/Projects
APTRANSCO/VIS/Vijayawada.

Drawn By RAMESH C	Checked By Bhaskar	Approved By Jothiswar	Total no. of pages 12
----------------------	-----------------------	--------------------------	--------------------------

Drawing approval subject to valid vendor registration

ALL INFORMATION CONTAINED IN THIS DOCUMENT IS CONFIDENTIAL AND COPYRIGHT THEREOF IS RESERVED BY GREEN SECURE ENERGY SYSTEMS. THEY SHALL NOT BE USED FOR ANY PURPOSE OTHER THAN FOR WHICH THEY ARE SUPPLIED AND SHALL NOT BE COPIED OR REPRODUCED WITHOUT WRITTEN PERMISSION.

				GREEN SECURE ENERGY SYSTEMS,.				DRN	GKK	SCALE	NA
								TITLE			
				415 OUTDOOR AC LIGHTING BOARD WITH TIMER				APPD	JR	SHEET NO.	
				PAGE TYPE				DRAWING No.		01 OF 12	
				COVER SHEET				GSS-23-24-041ACLDB	REV.	R1	

ALL DIMENSIONS ARE IN MM UNLESS OTHERWISE SPECIFIED.


Drawing approval subject to valid vendor registration

SH.NO.	DESCRIPTION	SHEET NO.	REV. No.
01	COVER SHEET	01 OF 12	R1
02	TABLE OF CONTENT	02 OF 12	R1
03	GENERAL ARRANGEMENT	03 OF 12	R1
04	GENERAL NOTES	04 OF 09	R1
05	SINGLE LINE DIAGRAM (1/2)	05 OF 12	R1
06	SINGLE LINE DIAGRAM (2/2)	06 OF 12	R1
07	POWER CIRCUIT DIAGRAM (1/3)	07 OF 12	R1
08	POWER CIRCUIT DIAGRAM (2/3)	08 OF 12	R1
09	POWER CIRCUIT DIAGRAM (3/3)	09 OF 12	R1
10	TERMINAL BLOCK DETAILS (1/2)	10 OF 12	R1
11	TERMINAL BLOCK DETAILS (2/2)	11 OF 12	R1
12	BILL OF MATERIALS	12 OF 12	R1

EPC works only

**Chief Engineer/Projects
APTRANSCO/VS/Vijayawada.**

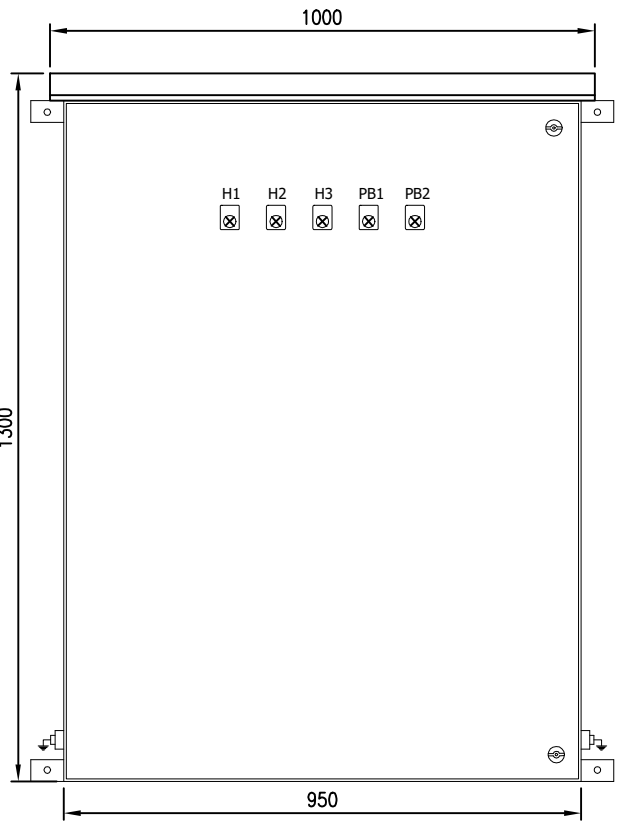
ALL INFORMATION CONTAINED IN THIS DOCUMENT IS CONFIDENTIAL AND COPYRIGHT THEREOF IS RESERVED BY GREEN SECURE ENERGY SYSTEMS. THEY SHALL NOT BE USED FOR ANY PURPOSE OTHER THAN FOR WHICH THEY ARE SUPPLIED AND SHALL NOT BE COPIED OR REPRODUCED WITHOUT WRITTEN PERMISSION.

				 GREEN SECURE ENERGY SYSTEMS,.				DRN	SH	SCALE	NA	
								CHD	BB	DATE	26.02.2024	
				TITLE	415 OUTDOOR AC LIGHTING BOARD WITH TIMER				APPD	JR	SHEET NO.	
									DRAWING No.	02 OF 12		
R1	29.03.2024	REVISED AS PER CUSTOMER COMMENTS ON 28.03.2024	RC					GSS-23-24-041ACLD	REV.	R1		
ALL DIMENSIONS ARE IN MM UNLESS OTHERWISE SPECIFIED.												

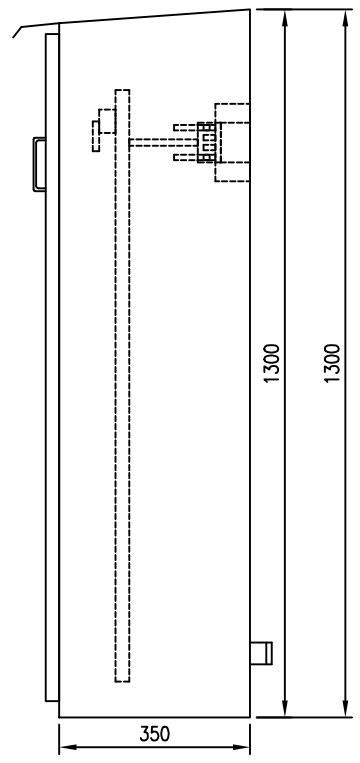
ALL INFORMATION CONTAINED IN THIS DOCUMENT IS CONFIDENTIAL AND COPYRIGHT THEREOF IS RESERVED BY GREEN SECURE ENERGY SYSTEMS. THEY SHALL NOT BE USED FOR ANY PURPOSE OTHER THAN FOR WHICH THEY ARE SUPPLIED AND SHALL NOT BE COPIED OR REPRODUCED WITHOUT WRITTEN PERMISSION.

Drawing approval subject to valid vendor registration

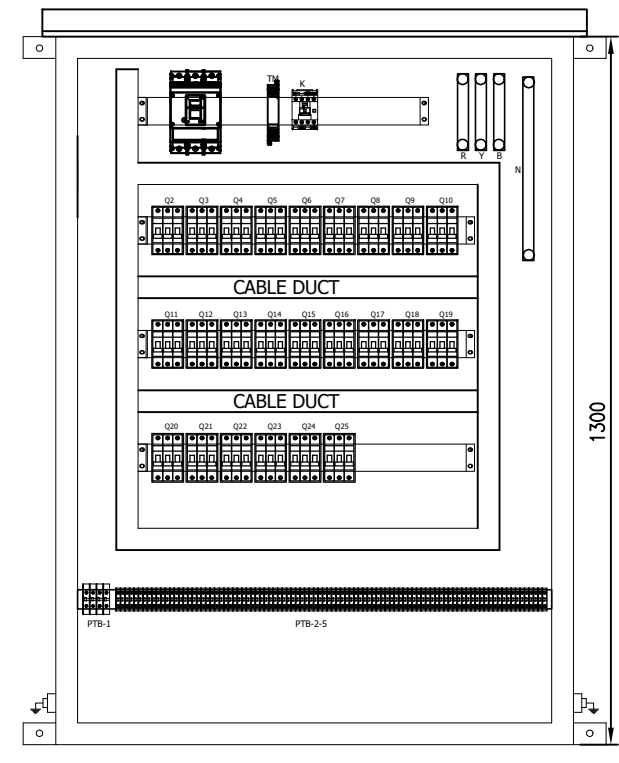
EPC works only



FRONT VIEW

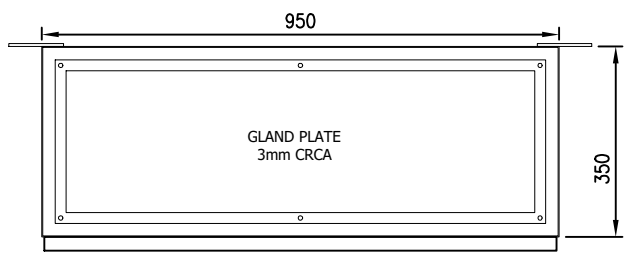


SIDE VIEW



FRONT INTERNAL VIEW

Drawing approval subject to valid vendor registration



BOTTOM VIEW

**Chief Engineer/Projects
APTRANSCO/VS/Vijayawada.**

R1	29.03.2024	REVISED AS PER CUSTOMER COMENTS ON 28.03.2024	RC

ALL DIMENSIONS ARE IN MM UNLESS OTHERWISE SPECIFIED.

		DRN	SH	SCALE	NA
		CHD	BB	DATE	26.02.2024
TITLE	415 OUTDOOR AC LIGHTING BOARD WITH TIMER			SHEET NO.	
	PAGE TYPE			03 OF 12	
GENERAL ARRANGEMENT		DRAWING No.		REV.	
		GSS-23-24-041ACLD		R1	

GENERAL TECHNICAL PARTICULARS


- 1. (a) Type Of Panel :Non-Drawout Type
:Non-Compartmentlised Structure
:Construction Single Front
- (b) Type Of Mounting :Wall Mounting/ Structure mounting
- 2. Cable Entry :Bottom
- 3. Thickness Of Sheet Steel
- (a) Base Channel :NA
- (b) Frame & Board :2mm (CRCA)
- (c) Canopy :1.6mm (CRCA)
- (d) Gland Plate :3mm (CRCA)
- 4. Busbars :NA
- 5. Busbar Size :NA
- 6. Earth Busbar Size :Stud Type
- 7. Busbar Supports :SMC/DMC Moulded Support
- 8. Control Wiring With Flexible Copper Conductor PVC Insulated Wires, 1.1kV Grade.
- (a) Voltage Circuit :2.5Sq. mm (Black)
- (b) Current Circuit :2.5Sq. mm (Red, Yellow, Blue)
- (c) Earthing :2.5Sq. mm (Green) For All Components.
- (d) DC Circuit :2.5Sq. mm (Grey)
- 9. Minimum Size Of Power Wiring, Flexible Copper Conductor PVC Insulated Wires, 1.1kV Grade.
- (a) Upto 10A:2.5Sq mm, Copper
- (b) Upto 24A:4Sq mm, Copper
- (c) Upto 32A:6Sq mm, Copper
- (d) Upto 40A:10Sq mm, Copper
- (e) Upto 63A:35Sq mm, Copper
- (f) Upto 100A:70Sq mm, Copper
- 10. PVC Tag Ferrules :2.5Sq mm PVC With NOS
- 11. Degree of Protection :IP-55
- 12. Painting
- (a) Treatment :Seven Tank Process
- (b) Type :Powder Coated
- (c) Shade :631 Of IS:5 (Interior & Exterior)
- 13. Test Voltage (IS:8623 Part-1)
- (a) Insulation Test :500V Megger Power & Control
- (b) High Voltage Test :2.5kV For 60 Sec
- 14. Gasket Type :EPDM Gasket
- 15. Type Of Name Plate :Engraved
With White Letter Son Black Surface
- 16. All hinge doors shall be earth through 6Sq mm Flexible Earthing Braid
- 17. The covers on rear shall be of bolted type
- 18. The Panel shall generally confirm to IS:8623
- 19. Name Plate, Caution Plate and Labels will be provided
- 20. Temperature rise over design ambient temperature of 50 deg C shall not exceed 40 deg C.
- 21. Power Terminal Blocks are of stud type with bolted type
- 22. Busbar clearance between phases shall be 25mm & Phase & Neutral/Earth 25mm, Wherever it is not feasible to maintain these clearance in such places phase barriers shall be provided.
- 23. All Busbar with colour Coded with heat shrinkable PVC sleeves as per IS:11353 RYB For Phases, Black for Neutral and Green for earth terminal

EPC works only

Drawing approval subject to valid vendor registration

Chief Engineer/Projects
APTRANSCO/Vs/Vijayawada.

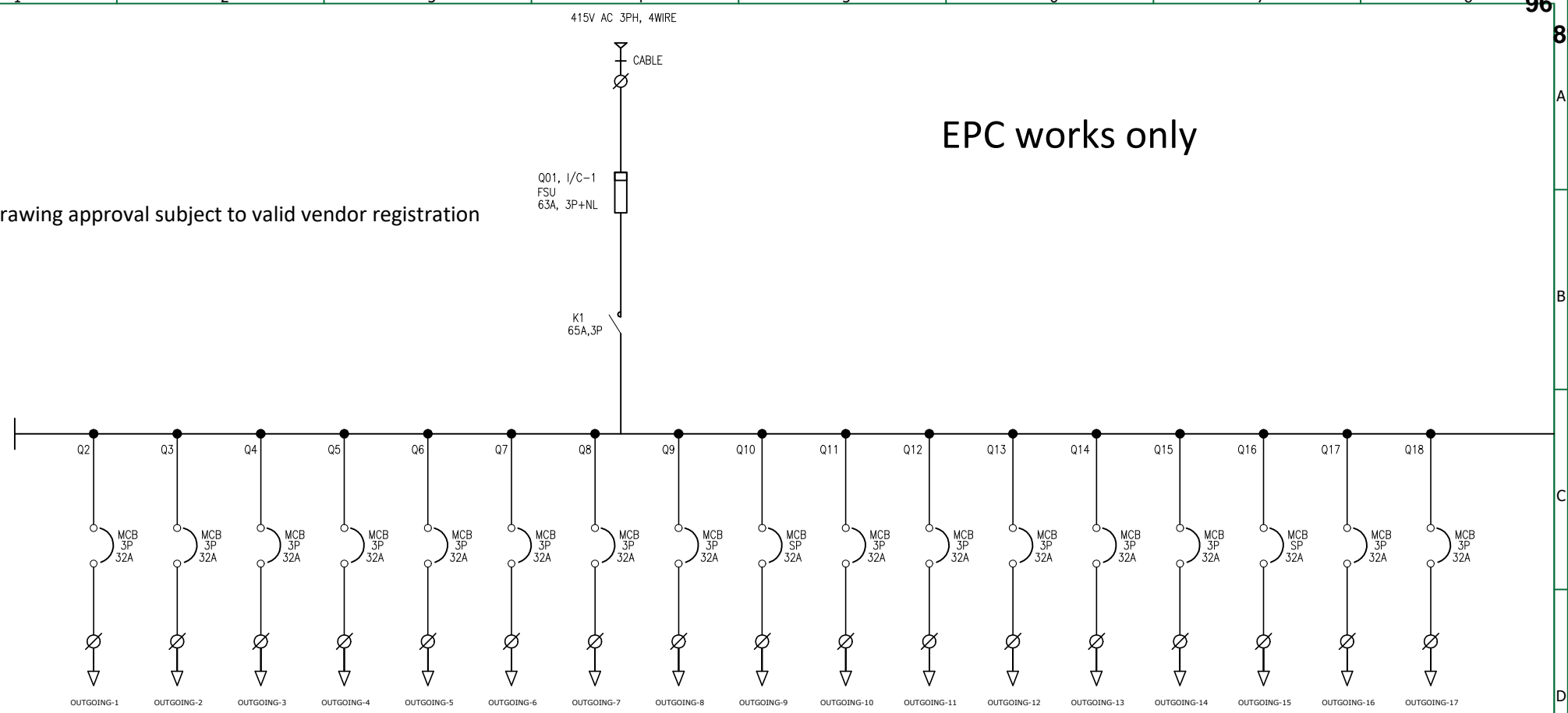
ALL INFORMATION CONTAINED IN THIS DOCUMENT IS CONFIDENTIAL AND COPYRIGHT THEREOF IS RESERVED BY GREEN SECURE ENERGY SYSTEMS. THEY SHALL NOT BE USED FOR ANY PURPOSE OTHER THAN FOR WHICH THEY ARE SUPPLIED AND SHALL NOT BE COPIED OR REPRODUCED WITHOUT WRITTEN PERMISSION.

								DRN	SH	SCALE	NA
								CHD	BB	DATE	26.02.2024
				415 OUTDOOR AC LIGHTING BOARD WITH TIMER				APPD	JR	SHEET NO.	
								DRAWING No.			
R1	29.03.2024	REVISED AS PER CUSTOMER COMMENTS ON 28.03.2024	RC	TITLE				GENERAL NOTES			
ALL DIMENSIONS ARE IN MM UNLESS OTHERWISE SPECIFIED.								GSS-23-24-041ACLD	REV.	R1	

ALL INFORMATION CONTAINED IN THIS DOCUMENT IS CONFIDENTIAL AND COPYRIGHT THEREOF IS RESERVED BY GREEN SECURE ENERGY SYSTEMS. THEY SHALL NOT BE USED FOR ANY PURPOSE OTHER THAN FOR WHICH THEY ARE SUPPLIED AND SHALL NOT BE COPIED OR REPRODUCED WITHOUT WRITTEN PERMISSION.

Drawing approval subject to valid vendor registration

EPC works only



Chief Engineer/Projects
APTRANSCO/VIS/Vijayawada.

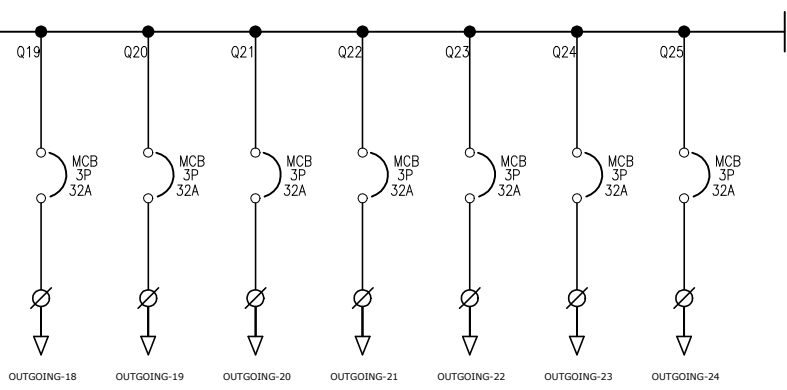
R1	29.03.2024	REVISED AS PER CUSTOMER COMMENTS ON 28.03.2024	RC

		DRN	SH	SCALE	NA
		CHD	BB	DATE	26.02.2024
TITLE 415 OUTDOOR AC LIGHTING BOARD WITH TIMER		APPD	JR	SHEET NO.	
		DRAWING No.		05 OF 12	
PAGE TYPE		SINGLE LINE DIAGRAM (1/2)		REV.	R1

ALL DIMENSIONS ARE IN MM UNLESS OTHERWISE SPECIFIED.

ALL INFORMATION CONTAINED IN THIS DOCUMENT IS CONFIDENTIAL AND COPYRIGHT THEREOF IS RESERVED BY GREEN SECURE ENERGY SYSTEMS. THEY SHALL NOT BE USED FOR ANY PURPOSE OTHER THAN FOR WHICH THEY ARE SUPPLIED AND SHALL NOT BE COPIED OR REPRODUCED WITHOUT WRITTEN PERMISSION.

EPC works only



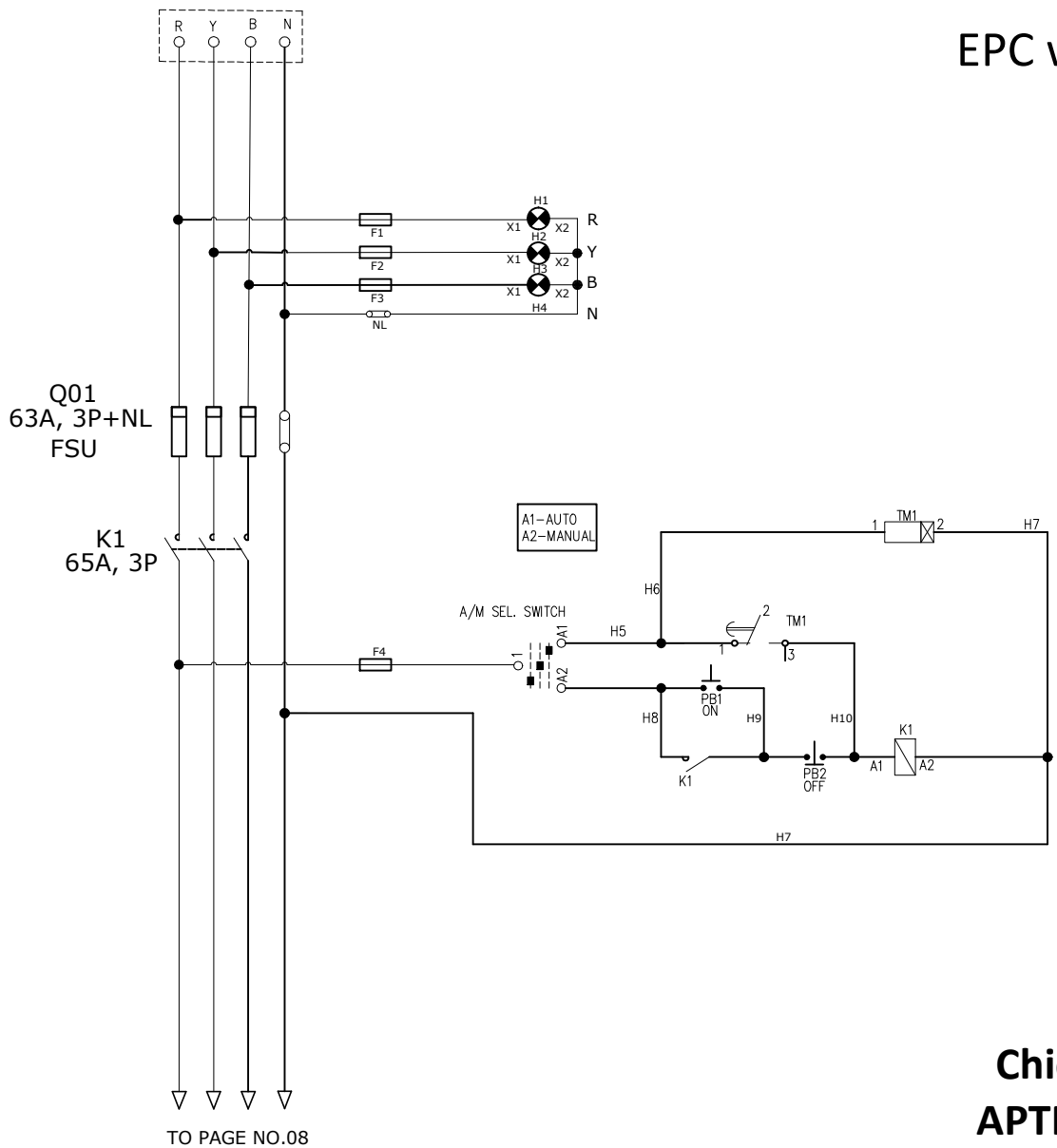
Chief Engineer/Projects
APTRANSCO/VS/Vijayawada.

R1	29.03.2024	REVISED AS PER CUSTOMER COMMENTS ON 28.03.2024	RC
ALL DIMENSIONS ARE IN MM UNLESS OTHERWISE SPECIFIED.			

		DRN	SH	SCALE	NA	
		CHD	BB	DATE	26.02.2024	
TITLE	415 OUTDOOR AC LIGHTING BOARD WITH TIMER				SHEET NO.	
	PAGE TYPE				06 OF 12	
					REV.	
				DRAWING No.	GSS-23-24-041ACLD8	
				SINGLE LINE DIAGRAM (2/2)		

ALL INFORMATION CONTAINED IN THIS DOCUMENT IS CONFIDENTIAL AND COPYRIGHT THEREOF IS RESERVED BY GREEN SECURE ENERGY SYSTEMS. THEY SHALL NOT BE USED FOR ANY PURPOSE OTHER THAN FOR WHICH THEY ARE SUPPLIED AND SHALL NOT BE COPIED OR REPRODUCED WITHOUT WRITTEN PERMISSION.

EPC works only



TO PAGE NO.08

Chief Engineer/Projects
APTRANSCO/VS/Vijayawada.

R1	29.03.2024	REVISED AS PER CUSTOMER COMMENTS ON 28.03.2024	RC

ALL DIMENSIONS ARE IN MM UNLESS OTHERWISE SPECIFIED.

		DRN	SH	SCALE	NA
		CHD	BB	DATE	26.02.2024
TITLE	415 OUTDOOR AC LIGHTING BOARD WITH TIMER				SHEET NO.
	PAGE TYPE				07 OF 12
	POWER AND CONTROL CIRCUIT(1/3)				REV. R1
DRAWING No.		GSS-23-24-041ACLD8			

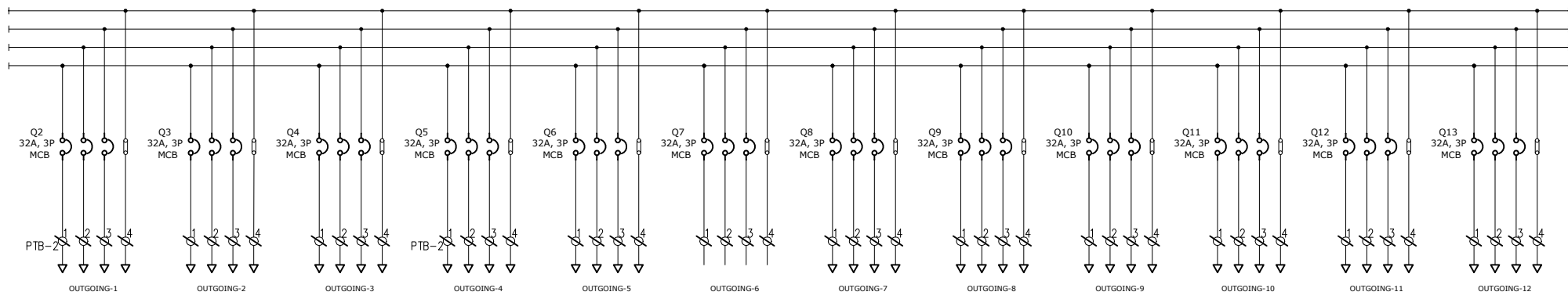
ALL INFORMATION CONTAINED IN THIS DOCUMENT IS CONFIDENTIAL AND COPYRIGHT THEREOF IS RESERVED BY GREEN SECURE ENERGY SYSTEMS. THEY SHALL NOT BE USED FOR ANY PURPOSE OTHER THAN FOR WHICH THEY ARE SUPPLIED AND SHALL NOT BE COPIED OR REPRODUCED WITHOUT WRITTEN PERMISSION.

EPC works only

Drawing approval subject to valid vendor registration

FROM PAGE NO.07

TO PAGE NO.09



**Chief Engineer/Projects
APTRANSCO/VS/Vijayawada.**

R1	29.03.2024	REVISED AS PER CUSTOMER COMMENTS ON 28.03.2024	RC

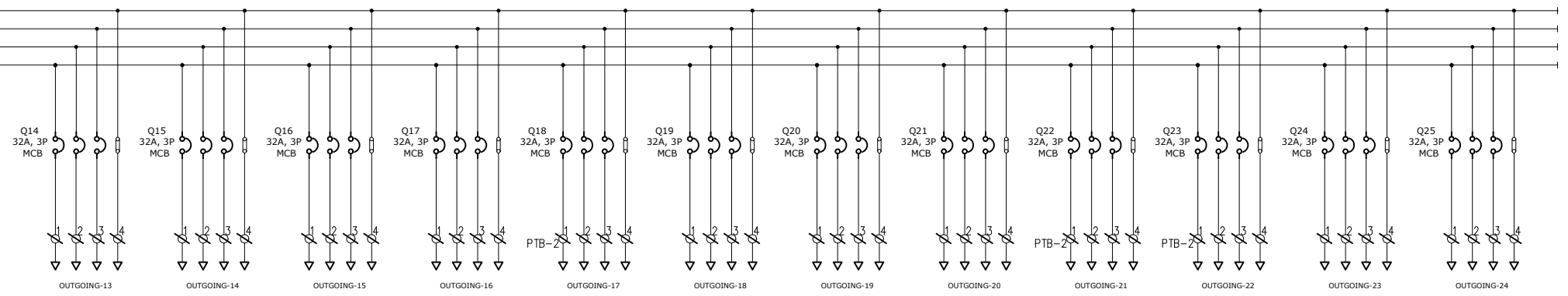
ALL DIMENSIONS ARE IN MM UNLESS OTHERWISE SPECIFIED.

		DRN	SH	SCALE	NA
		CHD	BB	DATE	26.02.2024
TITLE	415 OUTDOOR AC LIGHTING BOARD WITH TIMER				SHEET NO.
	POWER AND CONTROL CIRCUIT(2/3)				08 OF 12
PAGE TYPE	GSS-23-24-041ACLD			REV.	R1

ALL INFORMATION CONTAINED IN THIS DOCUMENT IS CONFIDENTIAL AND COPYRIGHT THEREOF IS RESERVED BY GREEN SECURE ENERGY SYSTEMS. THEY SHALL NOT BE USED FOR ANY PURPOSE OTHER THAN FOR WHICH THEY ARE SUPPLIED AND SHALL NOT BE COPIED OR REPRODUCED WITHOUT WRITTEN PERMISSION.

EPC works only

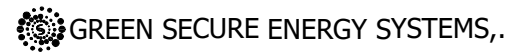
FROM PAGE NO.08



**Chief Engineer/Projects
APTRANSCO/VS/Vijayawada.**

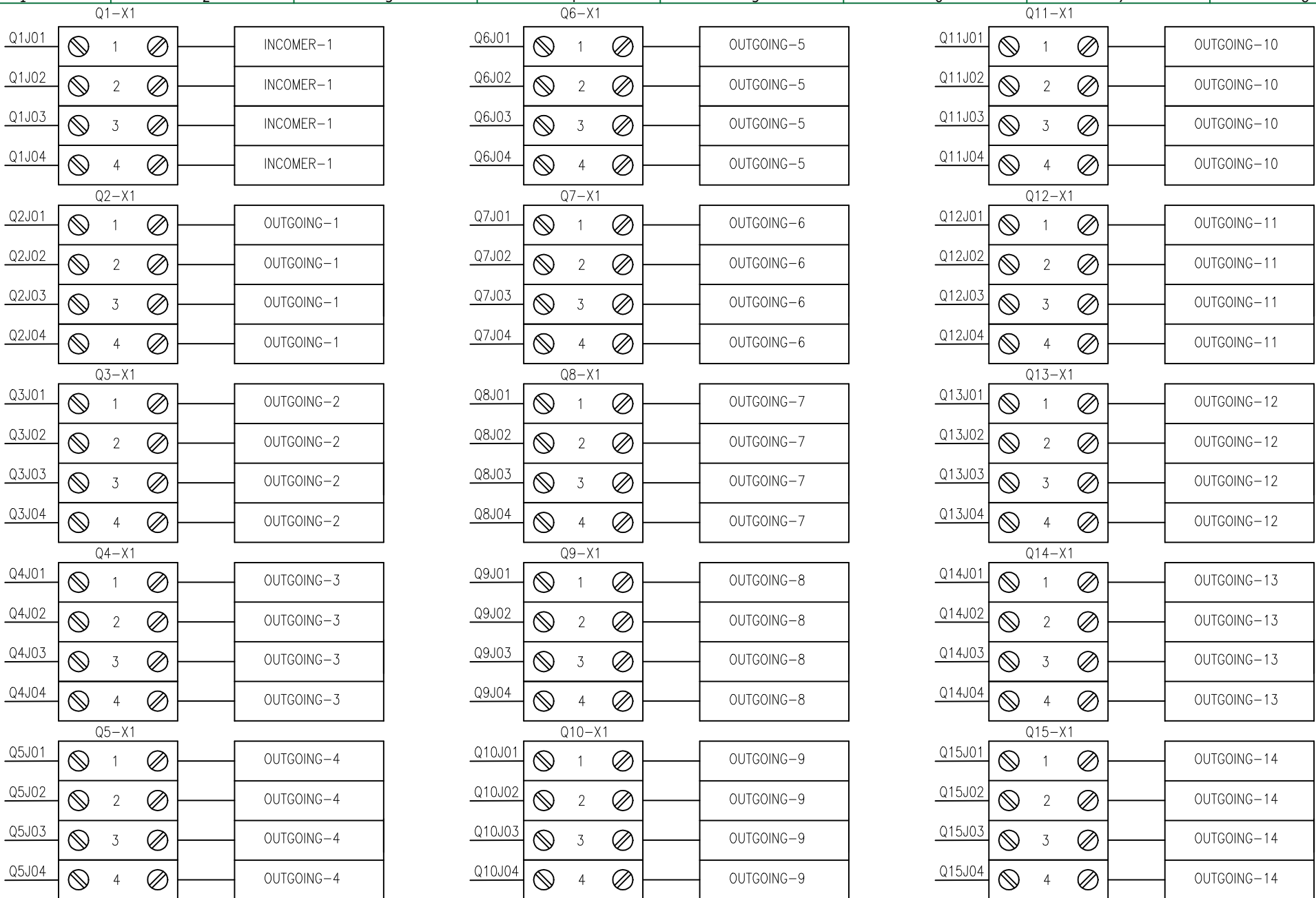
R1	29.03.2024	REVISED AS PER CUSTOMER COMMENTS ON 28.03.2024	RC

ALL DIMENSIONS ARE IN MM UNLESS OTHERWISE SPECIFIED.



TITLE	415 OUTDOOR AC LIGHTING BOARD WITH TIMER			
	PAGE TYPE	POWER AND CONTROL CIRCUIT(3/3)		
	DRN	SH	SCALE	NA
	CHD	BB	DATE	26.02.2024
	APPD	JR	SHEET NO.	
	DRAWING No.		09 OF 12	
	GSS-23-24-041ACLD8	REV.	R1	

ALL INFORMATION CONTAINED IN THIS DOCUMENT IS CONFIDENTIAL AND COPYRIGHT THEREOF IS RESERVED BY GREEN SECURE ENERGY SYSTEMS. THEY SHALL NOT BE USED FOR ANY PURPOSE OTHER THAN FOR WHICH THEY ARE SUPPLIED AND SHALL NOT BE COPIED OR REPRODUCED WITHOUT WRITTEN PERMISSION.



R1	29.03.2024	REVISED AS PER CUSTOMER COMMENTS ON 28.03.2024	RC

ALL DIMENSIONS ARE IN MM UNLESS OTHERWISE SPECIFIED.

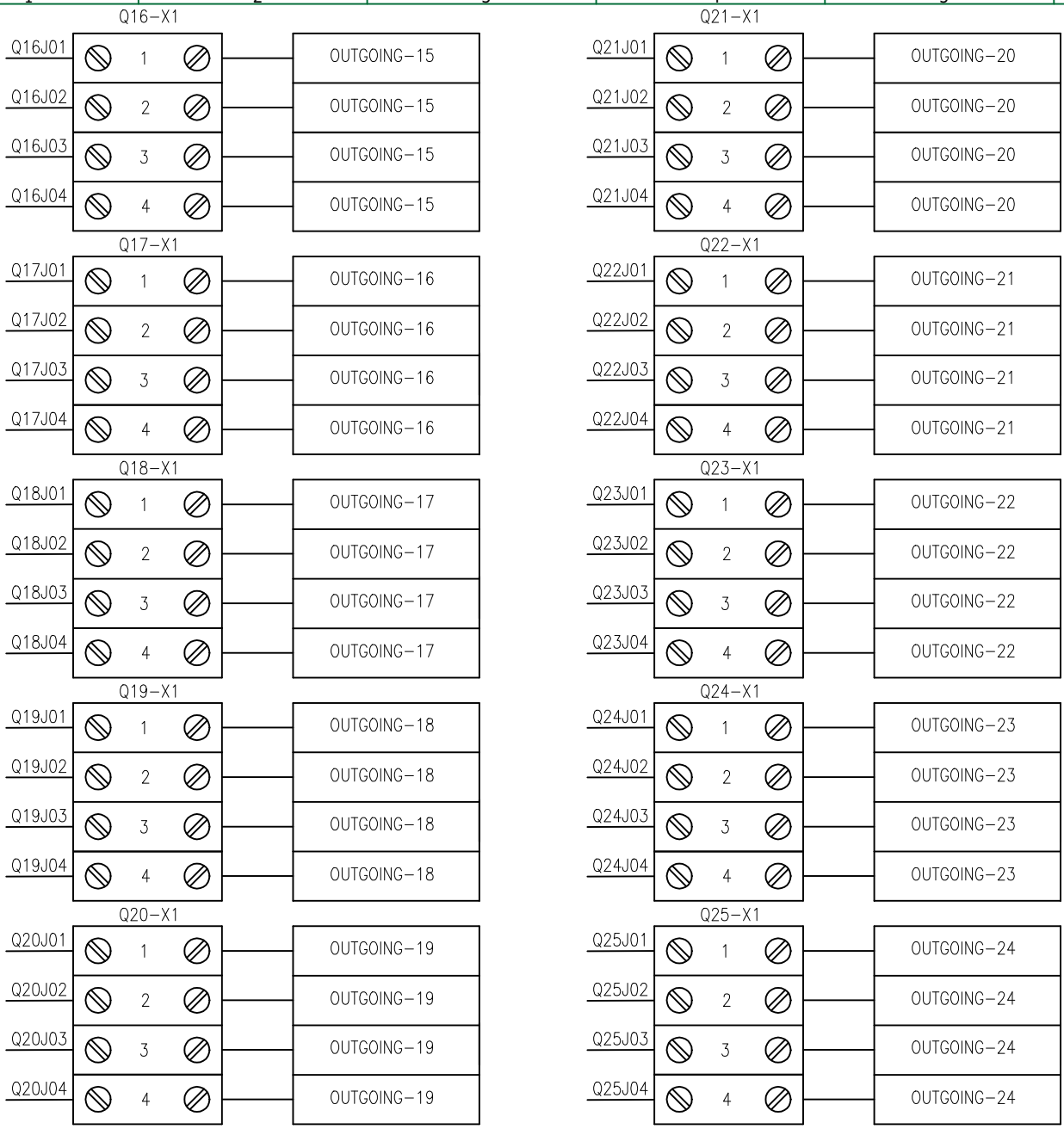


TITLE	415 OUTDOOR AC LIGHTING BOARD WITH TIMER			
	PAGE TYPE	TERMINAL BLOCK DETAILS (1/2)		
	DRN	SH	SCALE	NA
	CHD	BB	DATE	26.02.2024
APPD	JR	SHEET NO.		
DRAWING No.		10 OF 12		
GSS-23-24-041ACLD8		REV.	R1	

EPC works only

Drawing approval subject to valid vendor registration

**Chief Engineer/Projects
APTRANSCO/VS/Vijayawada.**



ALL INFORMATION CONTAINED IN THIS DOCUMENT IS CONFIDENTIAL AND COPYRIGHT THEREOF IS RESERVED BY GREEN SECURE ENERGY SYSTEMS. THEY SHALL NOT BE USED FOR ANY PURPOSE OTHER THAN FOR WHICH THEY ARE SUPPLIED AND SHALL NOT BE COPIED OR REPRODUCED WITHOUT WRITTEN PERMISSION.

R1	29.03.2024	REVISED AS PER CUSTOMER COMMENTS ON 28.03.2024	RC

ALL DIMENSIONS ARE IN MM UNLESS OTHERWISE SPECIFIED.

	DRN	SH	SCALE	NA
	CHD	BB	DATE	26.02.2024
	APPD	JR	SHEET NO. 11 OF 12	
	DRAWING No. GSS-23-24-041ACldb		REV.	R1
TITLE	415 OUTDOOR AC LIGHTING BOARD WITH TIMER		PAGE TYPE	
TERMINAL BLOCK DETAILS (2/2)				

Drawing approval subject to valid vendor registration


EPC works only

BILL OF MATERIAL:

Sl.NO	UOM	DISCRIPTION	MAKE	Nos	QTY
1	F1-F4	HRC FUSE WITH BASE 6A	L&T/ABB/C&S/SCHNEIDER	Nos	4
2	Q1	FUSE SWITCH UNIT 63A,TPN, ON/OFF	L&T/ABB/C&S	Nos	1
3	Q1	HRC FUSE 63A-SLOW	L&T/ABB/C&S	Nos	3
4	H1	INDICATION LAMP,22.5DIA, 240V AC, RED COLOUR	L&T/ABB/C&S	Nos	1
5	H2	INDICATION LAMP,22.5DIA, 240V AC, RED COLOUR	L&T/ABB/C&S	Nos	1
6	H3	INDICATION LAMP,22.5DIA, 240V AC, RED COLOUR	Connect well/Elmex	Nos	1
7	K1	POWER CONTACTOR 65A, 3P, 240V AC WITH 1NO+1NC	L&T/ABB/C&S	Nos	1
8	NL(1-2)	DISCONNECTING TYPE NEUTRAL LINK 15A	STD VENDOR	Nos	2
9	PB1	PUSH BUTTON GREEN COLOUR WITH 1NO ELEMENT	L&T/ABB/C&S	Nos	1
10	PB2	PUSH BUTTON RED COLOUR WITH 1NC ELEMENT	L&T/ABB/C&S	Nos	1
11	PTB-1	POWER TERMINAL BLOCKS 76A, SINGLE-M5	ELMEX-CBT-M5	Nos	4
12	PTB2-5	POWER TERMINAL BLOCKS 57A, SINGLE-M4	ELMEX-CBT-M4	Nos	96
13	Q2-Q25	MINIATURE CIRCUIT BREAKER 32A, 3P, C-CURVE.230V	L&T/ABB/C&S/SCHNEIDER	Nos	24
14	A/M SW	ROTARY SWITCH 6A, 1P, 2 WITH OFF	SALZER	Nos	1
15	TM	DIALY DIAL TIME SWITCH 240V AC 1C/0-BASE	L&T	Nos	1

**Chief Engineer/Projects
APTRANSCO/VS/Vijayawada.**

ALL INFORMATION CONTAINED IN THIS DOCUMENT IS CONFIDENTIAL AND COPYRIGHT THEREOF IS RESERVED BY GREEN SECURE ENERGY SYSTEMS. THEY SHALL NOT BE USED FOR ANY PURPOSE OTHER THAN FOR WHICH THEY ARE SUPPLIED AND SHALL NOT BE COPIED OR REPRODUCED WITHOUT WRITTEN PERMISSION.

					DRN	SH	SCALE	NA
					CHD	BB	DATE	26.02.2024
			415 OUTDOOR AC LIGHTING BOARD WITH TIMER		APPD	JR	SHEET NO.	
					DRAWING No.		12 OF 12	
R1	29.03.2024	REVISED AS PER CUSTOMER COMENTS ON 28.03.2024	RC	PAGE TYPE		BILL OF MATERIAL		
ALL DIMENSIONS ARE IN MM UNLESS OTHERWISE SPECIFIED.						GSS-23-24-041ACLD	REV.	R1

EPC works only


BILL OF MATERIAL:

Sl.NO	UOM	DISCRIPTION	MAKE	Nos	QTY
1	F1-F4	HRC FUSE WITH BASE 6A	L&T/ABB/C&S/SCHNEIDER	Nos	4
2	Q1	FUSE SWITCH UNIT 63A,TPN, ON/OFF	L&T/ABB/C&S	Nos	1
3	Q1	HRC FUSE 63A-SLOW	L&T/ABB/C&S	Nos	3
4	H1	INDICATION LAMP,22.5DIA, 240V AC, RED COLOUR	L&T/ABB/C&S	Nos	1
5	H2	INDICATION LAMP,22.5DIA, 240V AC, RED COLOUR	L&T/ABB/C&S	Nos	1
6	H3	INDICATION LAMP,22.5DIA, 240V AC, RED COLOUR	Connect well/Elmex	Nos	1
7	K1	POWER CONTACTOR 65A, 3P, 240V AC WITH 1NO+1NC	L&T/ABB/C&S	Nos	1
8	NL(1-2)	DISCONNECTING TYPE NEUTRAL LINK 15A	STD VENDOR	Nos	2
9	PB1	PUSH BUTTON GREEN COLOUR WITH 1NO ELEMENT	L&T/ABB/C&S	Nos	1
10	PB2	PUSH BUTTON RED COLOUR WITH 1NC ELEMENT	L&T/ABB/C&S	Nos	1
11	PTB-1	POWER TERMINAL BLOCKS 76A, SINGLE-M5	ELMEX-CBT-M5	Nos	4
12	PTB2-5	POWER TERMINAL BLOCKS 57A, SINGLE-M4	ELMEX-CBT-M4	Nos	96
13	Q2-Q25	MINIATURE CIRCUIT BREAKER 32A, 3P, C-CURVE.230V	L&T/ABB/C&S/SCHNEIDER	Nos	24
14	A/M SW	ROTARY SWITCH 6A, 1P, 2 WITH OFF	SALZER	Nos	1
15	TM	DIALY DIAL TIME SWITCH 240V AC 1C/O-BASE	L&T	Nos	1

Drawing approval subject to valid vendor registration

**Chief Engineer/Projects
APTRANSCO/Vs/Vijayawada.**

ALL INFORMATION CONTAINED IN THIS DOCUMENT IS CONFIDENTIAL AND COPYRIGHT THEREOF IS RESERVED BY GREEN SECURE ENERGY SYSTEMS. THEY SHALL NOT BE USED FOR ANY PURPOSE OTHER THAN FOR WHICH THEY ARE SUPPLIED AND SHALL NOT BE COPIED OR REPRODUCED WITHOUT WRITTEN PERMISSION.

					DRN	SH	SCALE	NA
					CHD	BB	DATE	26.02.2024
			TITLE	415 OUTDOOR AC LIGHTING BOARD WITH TIMER				
				PAGE TYPE	BILL OF MATERIAL			
R1	29.03.2024	REVISED AS PER CUSTOMER COMMENTS ON 28.03.2024	RC	DRAWING No.		12 OF 12		
ALL DIMENSIONS ARE IN MM UNLESS OTHERWISE SPECIFIED.				GSS-23-24-041ACLD		REV.	R1	