

OUTDOOR AC DISTRIBUTION BOARD FOR OIL FILTRATION UNIT FOR 400KV

CLIENT : TRANSMISSION CORPORATION OF ANDHRA PRADESH

CONTRACTOR : AS APPLICABLE

PROJECT : AS APPLICABLE

Manufacturer : M/s. SRINIVASA ENTRPRISES

Quantity : AS APPLICABLE

Drawing No. : SE / APTRANSCO / OUTDOOR AC DISTRIBUTION BOARD / 58 / 24-25

Chief Engineer/Projects
APTRANSCO/VS/Vijayawada.

SH.NO.	DESCRIPTION	SHEET NO.	REV. No.
01	COVER SHEET & TABLE OF CONTENT	01 OF 07	R0
02	GENERAL ARRANGEMENT	02 OF 07	R0
03	GENERAL NOTES	03 OF 07	R0
04	SINGLE LINE DIAGRAM	04 OF 07	R0
05	POWER CIRCUIT DIAGRAM	05 OF 07	R0
06	TERMINAL BLOCK DETAILS	06 OF 07	R0
07	BILL OF MATERIALS	07 OF 07	R0

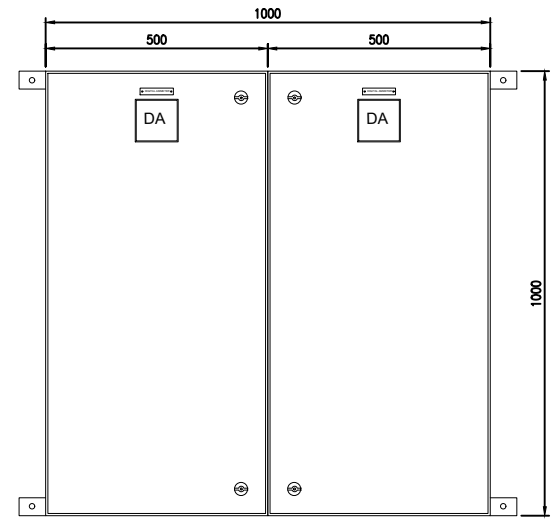
EPC works only

Drawing approval subject to valid vendor registration

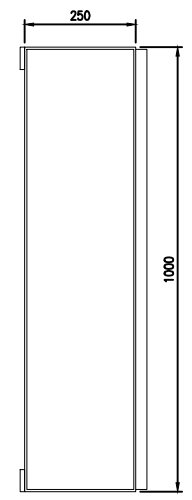
F	04.	-	DRAWN	BINDU		MANUFACTURER SRINIVASA ENTERPRISES B-5, T.I.E - BALANAGAR, HYDERABAD - 500037, PH.No : 9246378045, EMAIL : somana123@yahoo.com	DRAWING	COVER SHEET & TABLE OF CONTENT
	03.	-	CHKD.	NARASIMHAM			TITLE	OUTDOOR AC DISTRIBUTION BOARD FOR OIL FILTRATION UNIT FOR 400KV
	02.	-	APPD.	S.S.RAO			PROJECT	AS APPLICABLE
	01.	-	ALL DIMENSIONS IN mm.		SIGN.		LOI No.	AS APPLICABLE
	25-05-2024	00.	FIRST SUBMISSION FOR APPROVAL		TOLERANCE 5%		SUBSTATION	AS APPLICABLE
	DATE	No.	REVISIONS	DESCRIPTION	REVISIONS : 00	DRG. No.	SE / APTRANSCO / OUTDOOR AC DISTRIBUTION BOARD / 58 / 24-25	SH. No. 01 OF 07

EPC works only

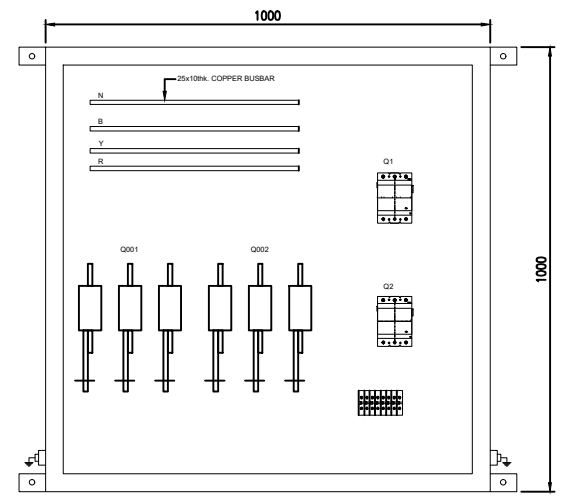
Drawing approval subject to valid vendor registration



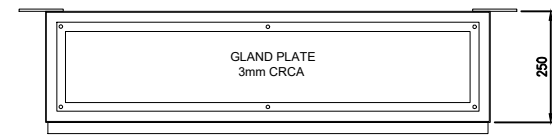
FRONT VIEW



LHS VIEW



FRONT INTERNAL VIEW



BOTTOM VIEW

Chief Engineer/Projects
APTRANSCO/VS/Vijayawada.

	04.	-	DRAWN	BINDU	
	03.	-	CHKD.	NARASIMHAM	
	02.	-	APPD.	S.S.RAO	
	01.	-	ALL DIMENSIONS IN mm.		SIGN.
25-05-2024	00.	FIRST SUBMISSION FOR APPROVAL	TOLERANCE 5%		
DATE	No.	REVISIONS DESCRIPTION	REVISIONS : 00		

MANUFACTURER

SRINIVASA ENTERPRISES

B-5, T.I.E - BALANAGAR,
HYDERABAD - 500037,
PH.No : 9246378045,
EMAIL : somana123@yahoo.com



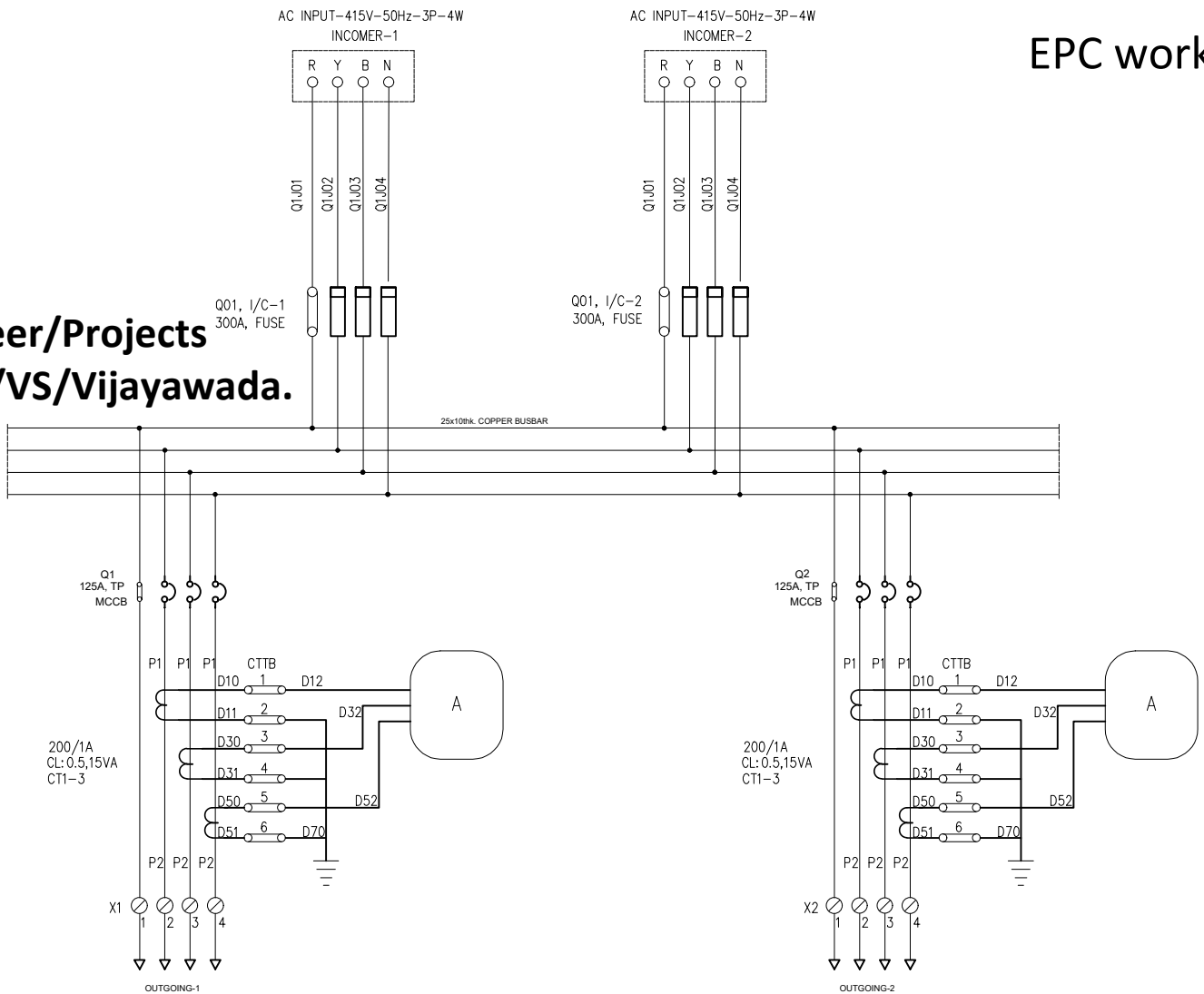
DRAWING	GENERAL ARRANGEMENT
TITLE	OUTDOOR AC DISTRIBUTION BOARD FOR OIL FILTRATION UNIT FOR 400KV
PROJECT	AS APPLICABLE
LOI No.	AS APPLICABLE
SUBSTATION	AS APPLICABLE
DRG. No.	SE / APTRANSCO / OUTDOOR AC DISTRIBUTION BOARD / 58 / 24-25
	SH. No. 02 OF 07

F

	1	2	3	4	5	6	7	8	9																														
A	<p>GENERAL TECHNICAL PARTICULARS</p> <p>1. (a) Type Of Panel :Non-Drawout Type :Non-Compartmentlised Structure :Construction Single Front</p> <p>(b) Type Of Mounting :Wall Mounting/Structure Mounting</p> <p>2. Cable Entry :Bottom</p> <p>3. Thickness Of Sheet Steel</p> <p>(a) Base Channel :NA</p> <p>(b) Frame & Board :2mm (CRCA)</p> <p>(c) Canopy :1.6mm (CRCA)</p> <p>(d) Gland Plate :3mm (CRCA)</p> <p>4. Busbars :NA</p> <p>5. Busbar Size :NA</p> <p>6. Earth Busbar Size :Stud Type</p> <p>7. Busbar Supports :SMC/DMC Moulded Support</p> <p>8. Control Wiring With Flexible Copper Conductor PVC Insulated Wires, 1.1kV Grade.</p> <p>(a) Voltage Circuit :2.5Sq. mm (Black)</p> <p>(b) Current Circuit :2.5Sq. mm (Red, Yellow, Blue)</p> <p>(c) Earthing :2.5Sq. mm (Green) For All Components.</p> <p>(d) DC Circuit :2.5Sq. mm (Grey)</p> <p>9. Minimum Size Of Power Wiring, Flexible Copper Conductor PVC Insulated Wires, 1.1KV Grade.</p> <p>(a) Upto 10A:2.5Sq mm, Copper</p> <p>(b) Upto 24A:4Sq mm, Copper</p> <p>(c) Upto 32A:6Sq mm, Copper</p> <p>(d) Upto 40A:10Sq mm, Copper</p> <p>(e) Upto 63A:35Sq mm, Copper</p> <p>(f) Upto 100A:70Sq mm, Copper</p> <p>10. PVC Tag Ferrules :2.5Sq mm PVC With NOS</p> <p>11. Degree of Protection :IP-55</p> <p>12. Painting</p> <p>(a) Treatment :Seven Tank Process</p> <p>(b) Type :Powder Coated</p> <p>(c) Shade :631 Of IS:5 (Interior & Exterior)</p> <p>13. Test Voltage (IS:8623 Part-1)</p> <p>(a) Insulation Test :500V Megger Power & Control</p> <p>(b) High Voltage Test :2.5kV For 60 Sec</p> <p>14. Gasket Type :Neoprene or EPDM Rubber Gasket</p> <p>15. Type Of Name Plate :Engraved With White Letter Son Black Surface</p> <p>16. All hinge doors shall be earth through 6Sq mm Flexible Earthing Braid</p> <p>17. The covers on rear shall be of bolted type</p> <p>18. The Panel shall generally confirm to IS:8623</p> <p>19. Name Plate, Caution Plate and Labels will be provided</p> <p>20. Temperature rise over design ambient temperature of 50 deg C shall not exceed 40 deg C.</p> <p>21. Power Terminal Blocks are of stud type with bolted type</p> <p>22. Busbar clearance between phases shall be 25mm & Phase & Neutral/Earth 25mm, Wherever it is not feasible to maintain these clearance in such places phase barriers shall be provided.</p> <p>23. All Busbar with colour Coded with heat shrinkable PVC sleeves as per IS:11353 RYB For Phases, Black for Neutral and Green for earth terminal</p>																																						
B	<h1>EPC works only</h1>																																						
C	<h2>Drawing approval subject to valid vendor registration</h2>																																						
D	<h1>Chief Engineer/Projects</h1> <h1>APTRANSCO/VS/Vijayawada.</h1>																																						
E																																							
F	<table border="1" style="width: 100%; border-collapse: collapse;"> <tr> <td style="width: 5%;">04.</td> <td style="width: 25%;">-</td> <td style="width: 25%;">DRAWN</td> <td style="width: 25%;">BINDU</td> <td style="width: 20%;"></td> </tr> <tr> <td>03.</td> <td>-</td> <td>CHKD.</td> <td>NARASIMHAM</td> <td></td> </tr> <tr> <td>02.</td> <td>-</td> <td>APPD.</td> <td>S.S.RAO</td> <td></td> </tr> <tr> <td>01.</td> <td>-</td> <td colspan="3">ALL DIMENSIONS IN mm. SIGN.</td> </tr> <tr> <td>25-05-2024</td> <td>00.</td> <td>FIRST SUBMISSION FOR APPROVAL</td> <td>TOLERANCE 5%</td> <td></td> </tr> <tr> <td>DATE</td> <td>No.</td> <td>REVISIONS DESCRIPTION</td> <td>REVISIONS : 00</td> <td></td> </tr> </table>									04.	-	DRAWN	BINDU		03.	-	CHKD.	NARASIMHAM		02.	-	APPD.	S.S.RAO		01.	-	ALL DIMENSIONS IN mm. SIGN.			25-05-2024	00.	FIRST SUBMISSION FOR APPROVAL	TOLERANCE 5%		DATE	No.	REVISIONS DESCRIPTION	REVISIONS : 00	
04.	-	DRAWN	BINDU																																				
03.	-	CHKD.	NARASIMHAM																																				
02.	-	APPD.	S.S.RAO																																				
01.	-	ALL DIMENSIONS IN mm. SIGN.																																					
25-05-2024	00.	FIRST SUBMISSION FOR APPROVAL	TOLERANCE 5%																																				
DATE	No.	REVISIONS DESCRIPTION	REVISIONS : 00																																				
<table border="1" style="width: 100%; border-collapse: collapse;"> <tr> <td colspan="2" style="text-align: center;">MANUFACTURER</td> </tr> <tr> <td colspan="2" style="text-align: center;">SRINIVASA ENTERPRISES</td> </tr> <tr> <td style="text-align: center;"></td> <td style="text-align: center;"> B-5, T.I.E - BALANAGAR, HYDERABAD - 500037, PH.No : 9246378045, EMAIL : somana123@yahoo.com </td> </tr> </table>					MANUFACTURER		SRINIVASA ENTERPRISES			B-5, T.I.E - BALANAGAR, HYDERABAD - 500037, PH.No : 9246378045, EMAIL : somana123@yahoo.com	<table border="1" style="width: 100%; border-collapse: collapse;"> <tr> <td style="width: 50%;">DRAWING</td> <td>GENERAL NOTES</td> </tr> <tr> <td>TITLE</td> <td>OUTDOOR AC DISTRIBUTION BOARD FOR OIL FILTRATION UNIT FOR 400KV</td> </tr> <tr> <td>PROJECT</td> <td>AS APPLICABLE</td> </tr> <tr> <td>LOI No.</td> <td>AS APPLICABLE</td> </tr> <tr> <td>SUBSTATION</td> <td>AS APPLICABLE</td> </tr> <tr> <td>DRG. No.</td> <td>SE / APTRANSCO / OUTDOOR AC DISTRIBUTION BOARD / 58 / 24-25</td> </tr> <tr> <td></td> <td>SH. No. 03 OF 07</td> </tr> </table>				DRAWING	GENERAL NOTES	TITLE	OUTDOOR AC DISTRIBUTION BOARD FOR OIL FILTRATION UNIT FOR 400KV	PROJECT	AS APPLICABLE	LOI No.	AS APPLICABLE	SUBSTATION	AS APPLICABLE	DRG. No.	SE / APTRANSCO / OUTDOOR AC DISTRIBUTION BOARD / 58 / 24-25		SH. No. 03 OF 07											
MANUFACTURER																																							
SRINIVASA ENTERPRISES																																							
	B-5, T.I.E - BALANAGAR, HYDERABAD - 500037, PH.No : 9246378045, EMAIL : somana123@yahoo.com																																						
DRAWING	GENERAL NOTES																																						
TITLE	OUTDOOR AC DISTRIBUTION BOARD FOR OIL FILTRATION UNIT FOR 400KV																																						
PROJECT	AS APPLICABLE																																						
LOI No.	AS APPLICABLE																																						
SUBSTATION	AS APPLICABLE																																						
DRG. No.	SE / APTRANSCO / OUTDOOR AC DISTRIBUTION BOARD / 58 / 24-25																																						
	SH. No. 03 OF 07																																						
1	2	3	4	5	6	7	8	9																															

EPC works only

Chief Engineer/Projects
APTRANSCO/VS/Vijayawada.



Drawing approval subject to valid vendor registration

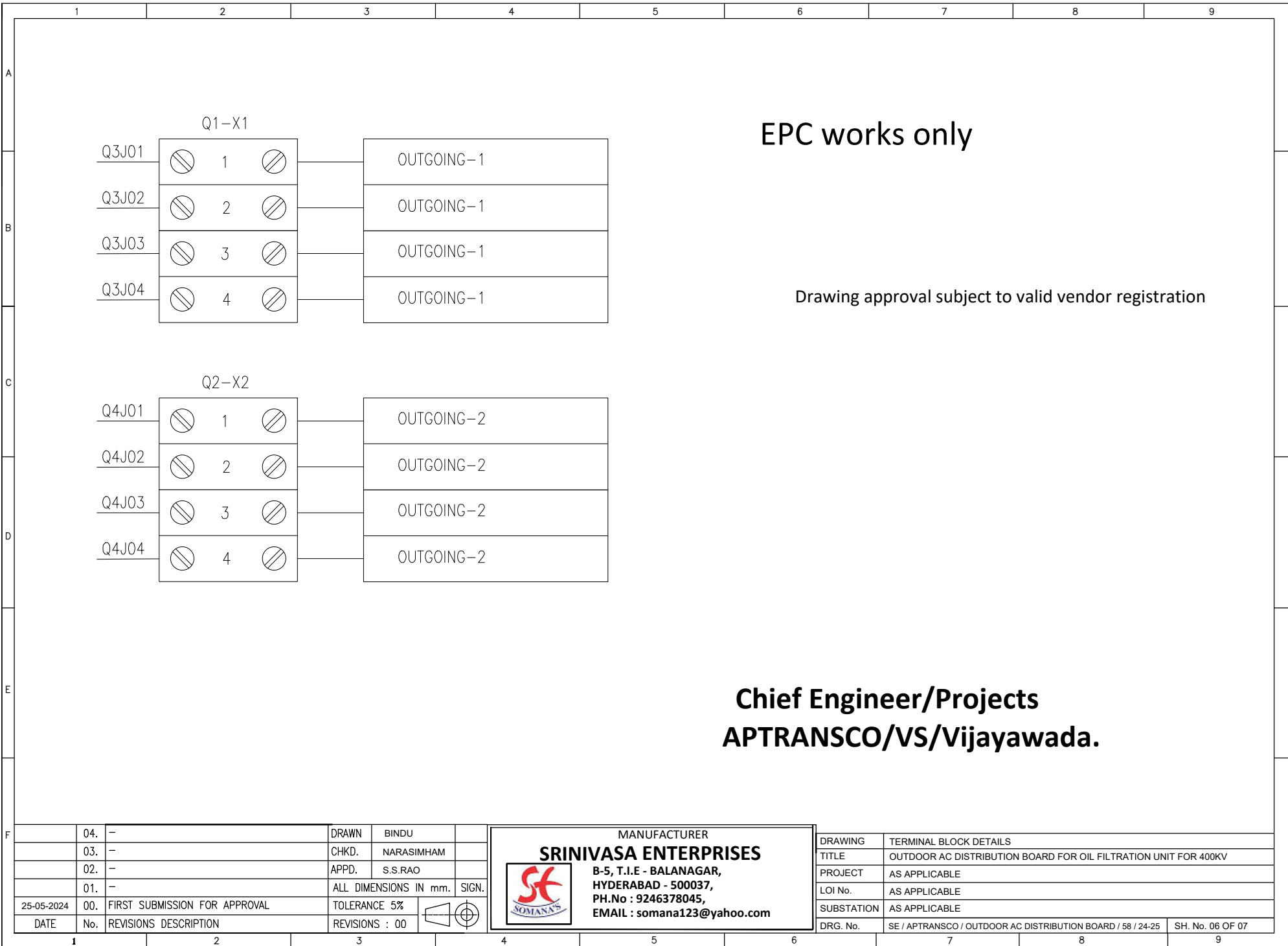
F	04.	-	DRAWN	BINDU	
	03.	-	CHKD.	NARASIMHAM	
	02.	-	APPD.	S.S.RAO	
	01.	-	ALL DIMENSIONS IN mm.		SIGN.
25-05-2024	00.	FIRST SUBMISSION FOR APPROVAL	TOLERANCE 5%		
DATE	No.	REVISIONS DESCRIPTION	REVISIONS : 00		

MANUFACTURER
SRINIVASA ENTERPRISES

**B-5, T.I.E - BALANAGAR,
HYDERABAD - 500037,
PH.No : 9246378045,
EMAIL : somana123@yahoo.com**



DRAWING	POWER CIRCUIT DIAGRAM
TITLE	OUTDOOR AC DISTRIBUTION BOARD FOR OIL FILTRATION UNIT FOR 400KV
PROJECT	AS APPLICABLE
LOI No.	AS APPLICABLE
SUBSTATION	AS APPLICABLE
DRG. No.	SE / APTRANSCO / OUTDOOR AC DISTRIBUTION BOARD / 58 / 24-25
	SH. No. 05 OF 07



EPC works only

Drawing approval subject to valid vendor registration

**Chief Engineer/Projects
APTRANSCO/VS/Vijayawada.**

	04.	-	DRAWN	BINDU	
	03.	-	CHKD.	NARASIMHAM	
	02.	-	APPD.	S.S.RAO	
	01.	-	ALL DIMENSIONS IN mm. SIGN.		
25-05-2024	00.	FIRST SUBMISSION FOR APPROVAL	TOLERANCE 5%		
DATE	No.	REVISIONS DESCRIPTION	REVISIONS : 00		

MANUFACTURER
SRINIVASA ENTERPRISES
B-5, T.I.E - BALANAGAR,
HYDERABAD - 500037,
PH.No : 9246378045,
EMAIL : somana123@yahoo.com



DRAWING	TERMINAL BLOCK DETAILS
TITLE	OUTDOOR AC DISTRIBUTION BOARD FOR OIL FILTRATION UNIT FOR 400KV
PROJECT	AS APPLICABLE
LOI No.	AS APPLICABLE
SUBSTATION	AS APPLICABLE
DRG. No.	SE / APTRANSCO / OUTDOOR AC DISTRIBUTION BOARD / 58 / 24-25
	SH. No. 06 OF 07

EPC works only

Drawing approval subject to valid vendor registration

BILL OF MATERIAL

Sl.No	TAG	DESCRIPTION	MAKE	Nos	QTY
1	Q01-Q02	HRC FUSE-300A	L&T/ABB/C&S	Nos	6
2	Q1-Q2	Moulded Case Circuit breaker 125A, 3P, 25KA, 415V AC	L&T/ABB/C&S	Nos	2
3	Q1-X1-Q2-X2	Terminal blocks	Connect well/Elmex	Nos	8
4	CTTB	Terminal blocks	Connect well/Elmex	Nos	12
5	CT	Current transformer 200/1A, Burden:15VA, CL:0.5	KALPA	Nos	6
6	DA	Digital ammeter 0-200A, CL:0.5, RATIO:200/1A	ELMEASURE	Nos	2

**Chief Engineer/Projects
APTRANSCO/VS/Vijayawada.**

04.	-	DRAWN	BINDU		 <p>SRINIVASA ENTERPRISES B-5, T.I.E - BALANAGAR, HYDERABAD - 500037, PH.No : 9246378045, EMAIL : somana123@yahoo.com</p>	DRAWING	BILL OF MATERIALS
03.	-	CHKD.	NARASIMHAM			TITLE	OUTDOOR AC DISTRIBUTION BOARD FOR OIL FILTRATION UNIT FOR 400KV
02.	-	APPD.	S.S.RAO			PROJECT	AS APPLICABLE
01.	-	ALL DIMENSIONS IN mm.		SIGN.		LOI No.	AS APPLICABLE
25-05-2024	00.	FIRST SUBMISSION FOR APPROVAL		TOLERANCE 5%		SUBSTATION	AS APPLICABLE
DATE	No.	REVISIONS DESCRIPTION		REVISIONS : 00	DRG. No.	SE / APTRANSCO / OUTDOOR AC DISTRIBUTION BOARD / 58 / 24-25	SH. No. 07 OF 07