

PTDB PANEL FOR 132KV BUS & 33KV BUS WITH 1 or 2 33KV BUS SECTIONS


END USER : M/s. APTRANSCO
 CUSTOMER : AS APPLICABLE
 PURCHASE ORDER No. : AS APPLICABLE
 QTY : AS APPLICABLE
 DRAWING NO. : GSS-21-22-018-PTDB

**NOTE: 1. DRAWING APPROVAL SUBJECT TO VALID TYPE TEST REPORTS, TO BE CHECKED DURING ACCEPTANCE TESTS
 2. FOR EPC CONTRACTS ONLY**

SH.NO.	DESCRIPTION	SHEET NO.	REV. No.
01	COVER & INDEX SHEET	01 OF 15	R2
02	GENERAL ARRANGEMENT	02 OF 15	R2
03	SINGLE LINE DIAGRAM	03 OF 15	R2
04	SINGLE LINE DIAGRAM	04 OF 15	R2
05	INCOMING POWER CIRCUIT	05 OF 15	R2
06	OUTGOING POWER CIRCUIT	06 OF 15	R2
07	INCOMING & OUTGOING POWER CIRCUIT	07 OF 15	R2
08	OUTGOING POWER CIRCUIT	08 OF 15	R2
09	OUTGOING POWER CIRCUIT	09 OF 15	R2
10	INCOMING POWER CIRCUIT	10 OF 15	R2
11	OUTGOING POWER CIRCUIT	11 OF 15	R2
12	INCOMING & OUTGOING POWER CIRCUIT	12 OF 15	R2
13	OUTGOING POWER CIRCUIT	13 OF 15	R2
14	OUTGOING POWER CIRCUIT	14 OF 15	R2
15	BILL OF MATERIAL	15 OF 15	R2

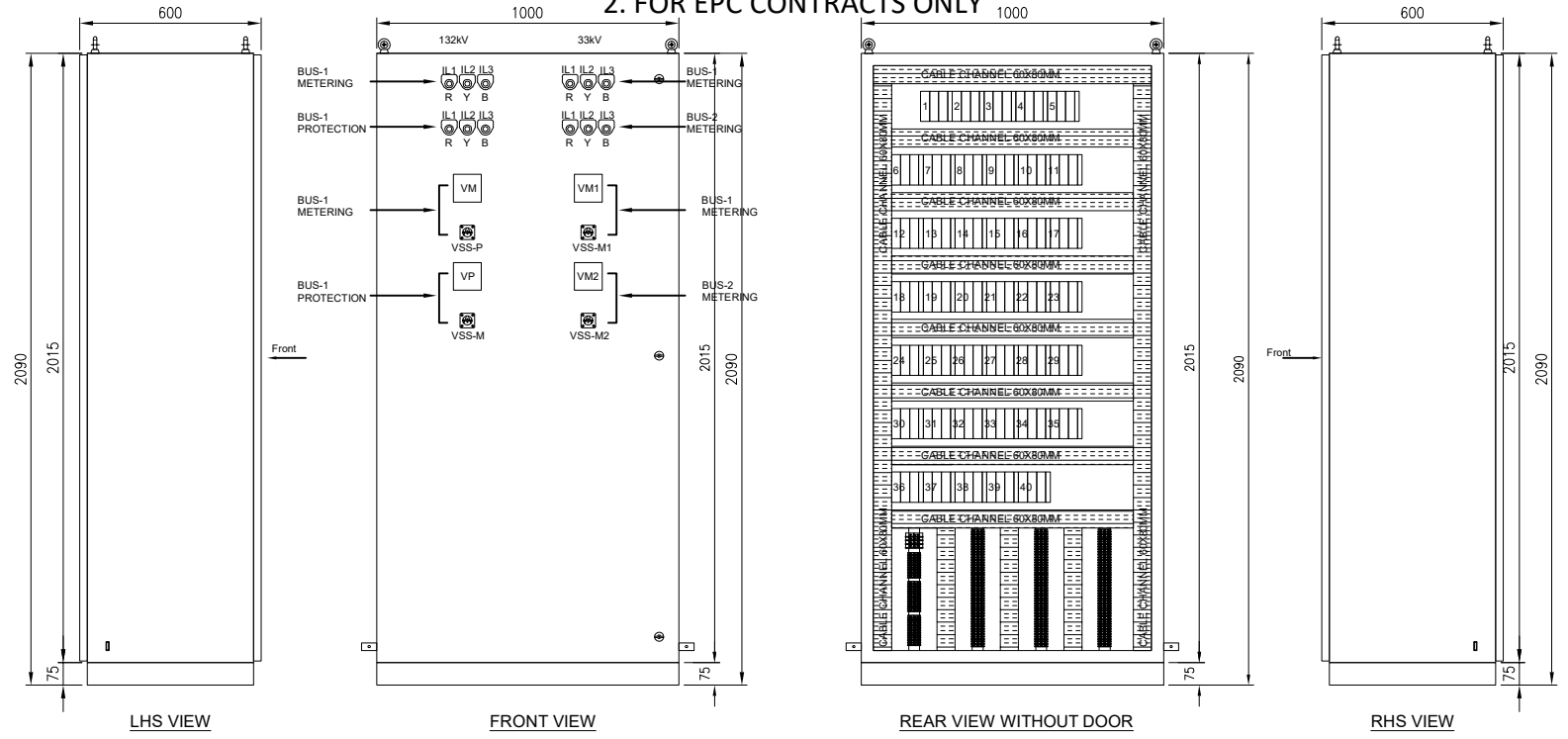
**Chief Engineer/Projects
 APTRANSCO/VS/Vijayawada.**

ALL INFORMATION CONTAINED IN THIS DOCUMENT IS CONFIDENTIAL AND COPYRIGHT THEREOF IS RESERVED BY GREEN SECURE ENERGY SYSTEMS, THEY SHALL NOT BE USED FOR ANY PURPOSE OTHER THAN FOR WHICH THEY ARE SUPPLIED AND SHALL NOT BE COPIED OR REPRODUCED WITHOUT WRITTEN PERMISSION.

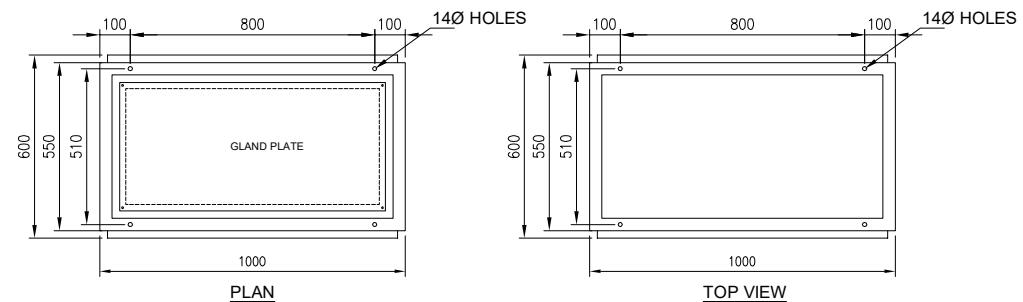
				 GREEN SECURE ENERGY SYSTEMS,.		DRN	KC	SCALE	NA	
						CHD	BB	DATE	10.09.2022	
R2	23.09.2022	REVISED AS PER CUSTOMER COMMENTS 23.09.2022	RC	TITLE	PTDB PANEL		APPD	JR	SHEET NO.	
R1	16.09.2022	REVISED AS PER CUSTOMER COMMENTS 16.09.2022	RC		COVER & INDEX SHEET		DRAWING No.		01 OF 15	
ALL DIMENSIONS ARE IN MM UNLESS OTHERWISE SPECIFIED.				PAGE TYPE			GSS-21-22-018-PTDB	REV.	R2	

ALL INFORMATION CONTAINED IN THIS DOCUMENT IS CONFIDENTIAL AND COPYRIGHT THEREOF IS RESERVED BY GREEN SECURE ENERGY SYSTEMS, THEY SHALL NOT BE USED FOR ANY PURPOSE OTHER THAN FOR WHICH THEY ARE SUPPLIED AND SHALL NOT BE COPIED OR REPRODUCED WITHOUT WRITTEN PERMISSION.

NOTE: 1. DRAWING APPROVAL SUBJECT TO VALID TYPE TEST REPORTS, TO BE CHECKED DURING ACCEPTANCE TESTS
2. FOR EPC CONTRACTS ONLY



The following PVC sticker shall be provided on the front side of the panel.



**Chief Engineer/Projects
APTRANSCO/VS/Vijayawada.**

1. Interlinking Fuses shall be inserted only when a PT fails.
2. PT Secondaries shall not be paralleled.

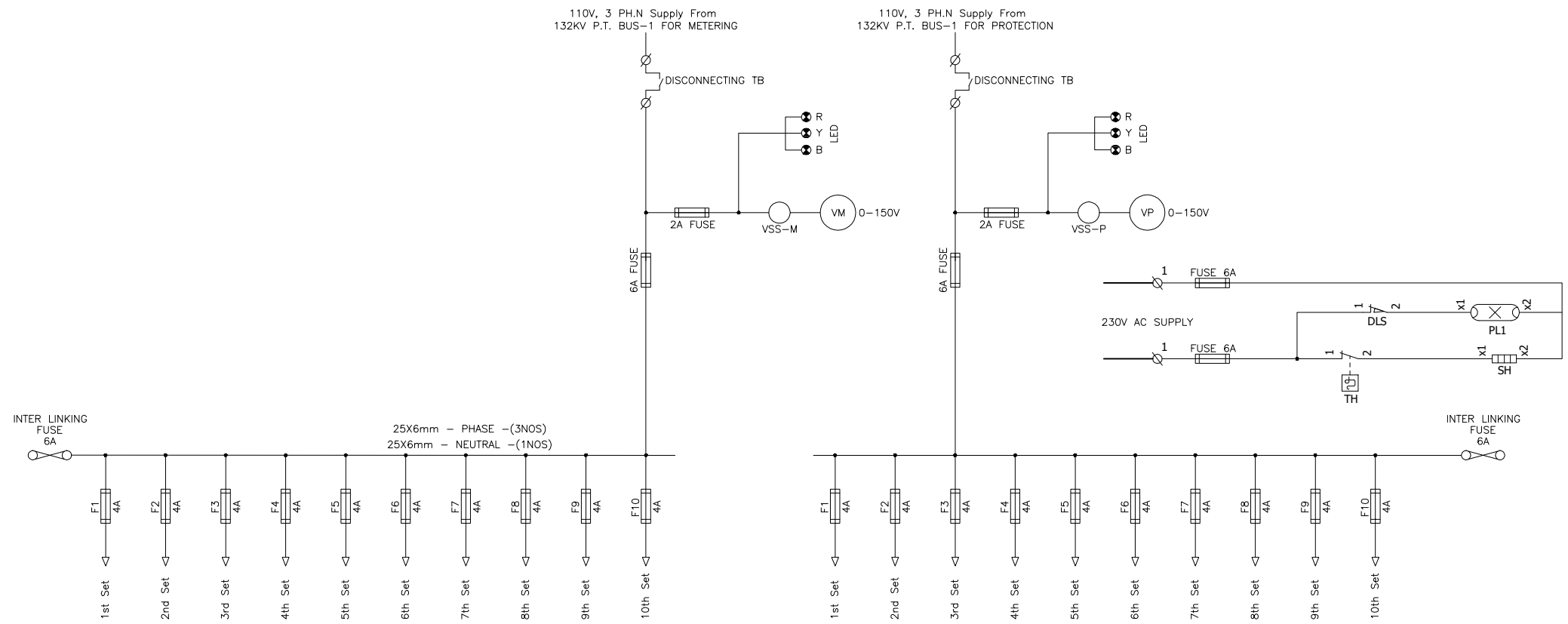
NOTE:
1. PANEL SHALL BE FABRICATED WITH 2mm CRCA SHEET
2. IP PROTECTION : IP42
3. PANEL COLOUR : 631 OF IS-5

				GREEN SECURE ENERGY SYSTEMS,.		DRN	KC	SCALE	NA
						CHD	BB	DATE	10.09.2022
R2	23.09.2022	REVISED AS PER CUSTOMER COMMENTS 23.09.2022	RC	TITLE PTDB PANEL		APPD	JR	SHEET NO.	
R1	16.09.2022	REVISED AS PER CUSTOMER COMMENTS 16.09.2022	RC			PAGE TYPE GENERAL ARRANGEMENT		DRAWING No.	
ALL DIMENSIONS ARE IN MM UNLESS OTHERWISE SPECIFIED.						GSS-21-22-018-PTDB		REV.	R2

ALL INFORMATION CONTAINED IN THIS DOCUMENT IS CONFIDENTIAL AND COPYRIGHT THEREOF IS RESERVED BY GREEN SECURE ENERGY SYSTEMS. THEY SHALL NOT BE USED FOR ANY PURPOSE OTHER THAN FOR WHICH THEY ARE SUPPLIED AND SHALL NOT BE COPIED OR REPRODUCED WITHOUT WRITTEN PERMISSION.

NOTE: 1. DRAWING APPROVAL SUBJECT TO VALID TYPE TEST REPORTS, TO BE CHECKED DURING ACCEPTANCE TESTS
2. FOR EPC CONTRACTS ONLY

169
650



Chief Engineer/Projects
APTRANSCO/Vs/Vijayawada.

R2	23.09.2022	REVISED AS PER CUSTOMER COMMENTS 23.09.2022	RC
R1	16.09.2022	REVISED AS PER CUSTOMER COMMENTS 16.09.2022	RC

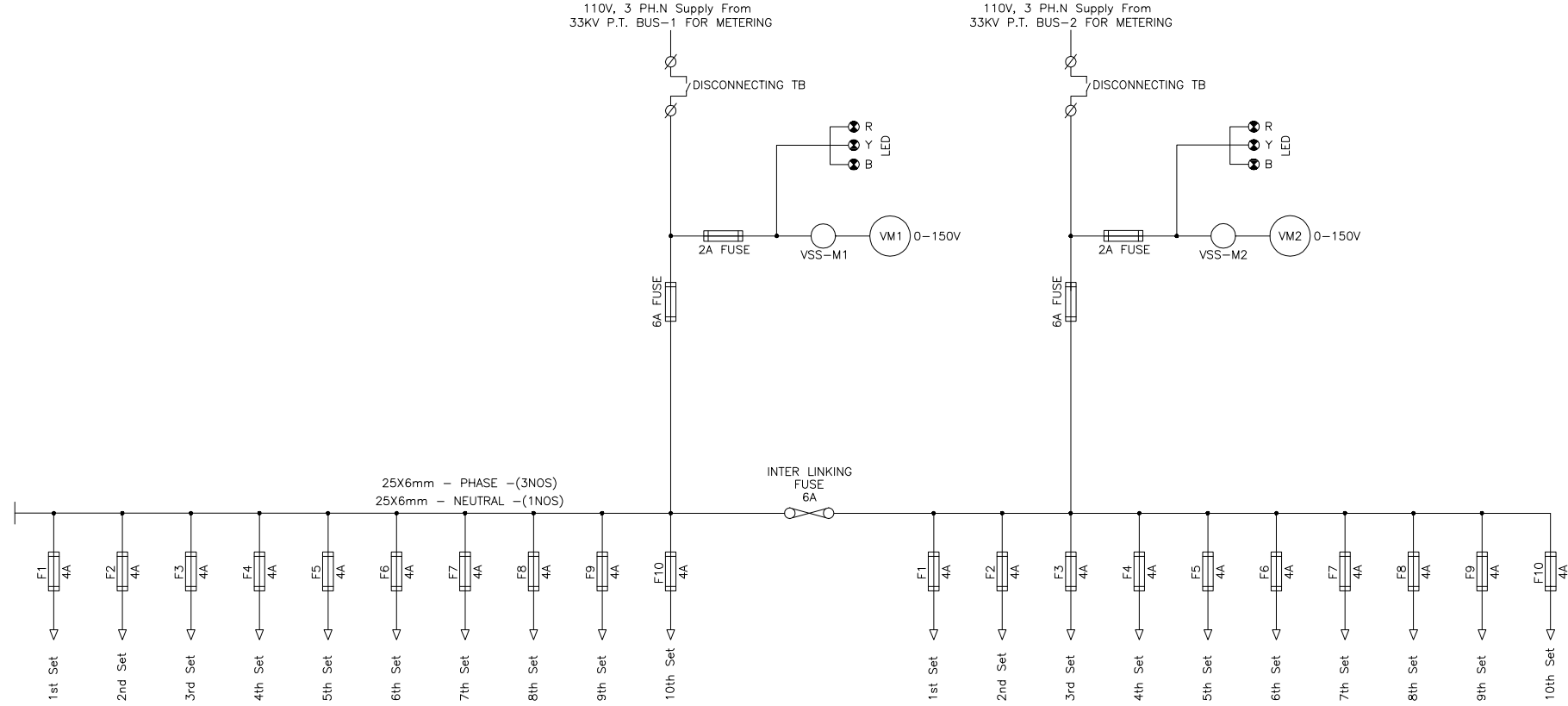
TITLE		PTDB PANEL		DRN	KC	SCALE	NA
				CHD	BB	DATE	10.09.2022
PAGE TYPE		SINGLE LINE DIAGRAM		APPD	JR	SHEET NO.	
				DRAWING No.		03	OF 15
				GSS-21-22-018-PTDB	REV.	R2	

ALL DIMENSIONS ARE IN MM UNLESS OTHERWISE SPECIFIED.

ALL INFORMATION CONTAINED IN THIS DOCUMENT IS CONFIDENTIAL AND COPYRIGHT THEREOF IS RESERVED BY GREEN SECURE ENERGY SYSTEMS, . THEY SHALL NOT BE USED FOR ANY PURPOSE OTHER THAN FOR WHICH THEY ARE SUPPLIED AND SHALL NOT BE COPIED OR REPRODUCED WITHOUT WRITTEN PERMISSION.

NOTE: 1. DRAWING APPROVAL SUBJECT TO VALID TYPE TEST REPORTS, TO BE CHECKED DURING ACCEPTANCE TESTS
2. FOR EPC CONTRACTS ONLY

120
650



Chief Engineer/Projects
APTRANSCO/VS/Vijayawada.

R2	23.09.2022	REVISED AS PER CUSTOMER COMMENTS 23.09.2022	RC
R1	16.09.2022	REVISED AS PER CUSTOMER COMMENTS 16.09.2022	RC

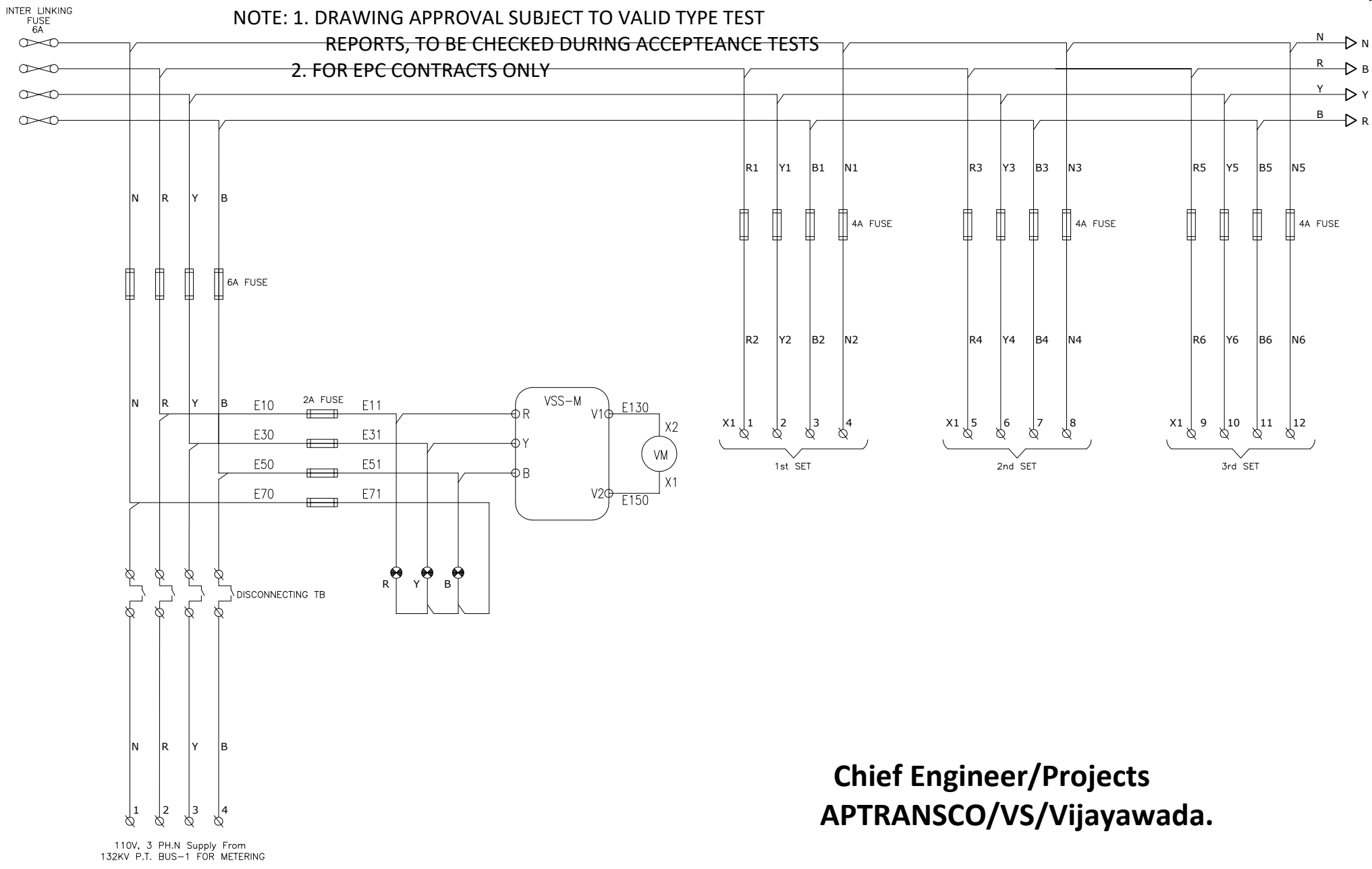
TITLE	PTDB PANEL	
	PAGE TYPE	SINGLE LINE DIAGRAM

DRN	KC	SCALE	NA
CHD	BB	DATE	10.09.2022
APPD	JR	SHEET NO.	
DRAWING No.		04 OF 15	
GSS-21-22-018-PTDB		REV.	R2

ALL DIMENSIONS ARE IN MM UNLESS OTHERWISE SPECIFIED.

ALL INFORMATION CONTAINED IN THIS DOCUMENT IS CONFIDENTIAL AND COPYRIGHT THEREOF IS RESERVED BY GREEN SECURE ENERGY SYSTEMS, . THEY SHALL NOT BE USED FOR ANY PURPOSE OTHER THAN FOR WHICH THEY ARE SUPPLIED AND SHALL NOT BE COPIED OR REPRODUCED WITHOUT WRITTEN PERMISSION.

NOTE: 1. DRAWING APPROVAL SUBJECT TO VALID TYPE TEST REPORTS, TO BE CHECKED DURING ACCEPTANCE TESTS
2. FOR EPC CONTRACTS ONLY

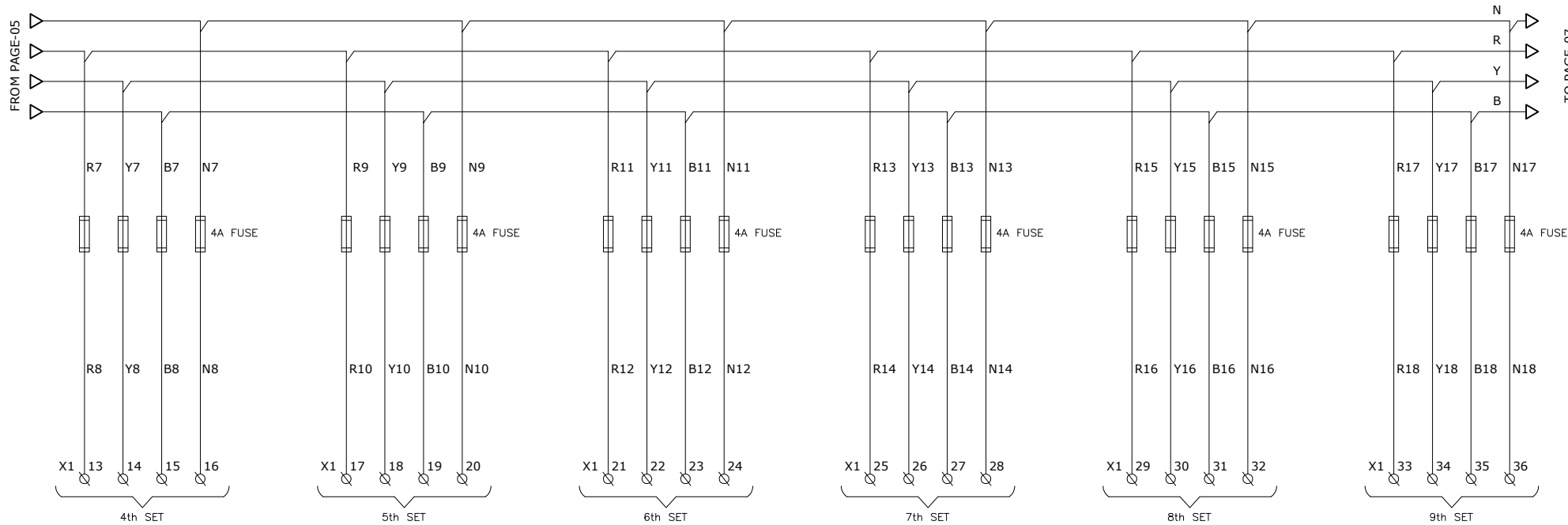


Chief Engineer/Projects
APTRANSCO/VS/Vijayawada.

R2	23.09.2022	REVISED AS PER CUSTOMER COMMENTS 23.09.2022	RC
R1	16.09.2022	REVISED AS PER CUSTOMER COMMENTS 16.09.2022	RC

TITLE	PTDB PANEL		DRN	KC	SCALE	NA
	INCOMING POWER CIRCUIT		CHD	BB	DATE	10.09.2022
	PAGE TYPE		APPD	JR	SHEET NO. 05 OF 15	
ALL DIMENSIONS ARE IN MM UNLESS OTHERWISE SPECIFIED.			GSS-21-22-018-PTDB		REV.	R2

ALL INFORMATION CONTAINED IN THIS DOCUMENT IS CONFIDENTIAL AND COPYRIGHT THEREOF IS RESERVED BY GREEN SECURE ENERGY SYSTEMS, . THEY SHALL NOT BE USED FOR ANY PURPOSE OTHER THAN FOR WHICH THEY ARE SUPPLIED AND SHALL NOT BE COPIED OR REPRODUCED WITHOUT WRITTEN PERMISSION.



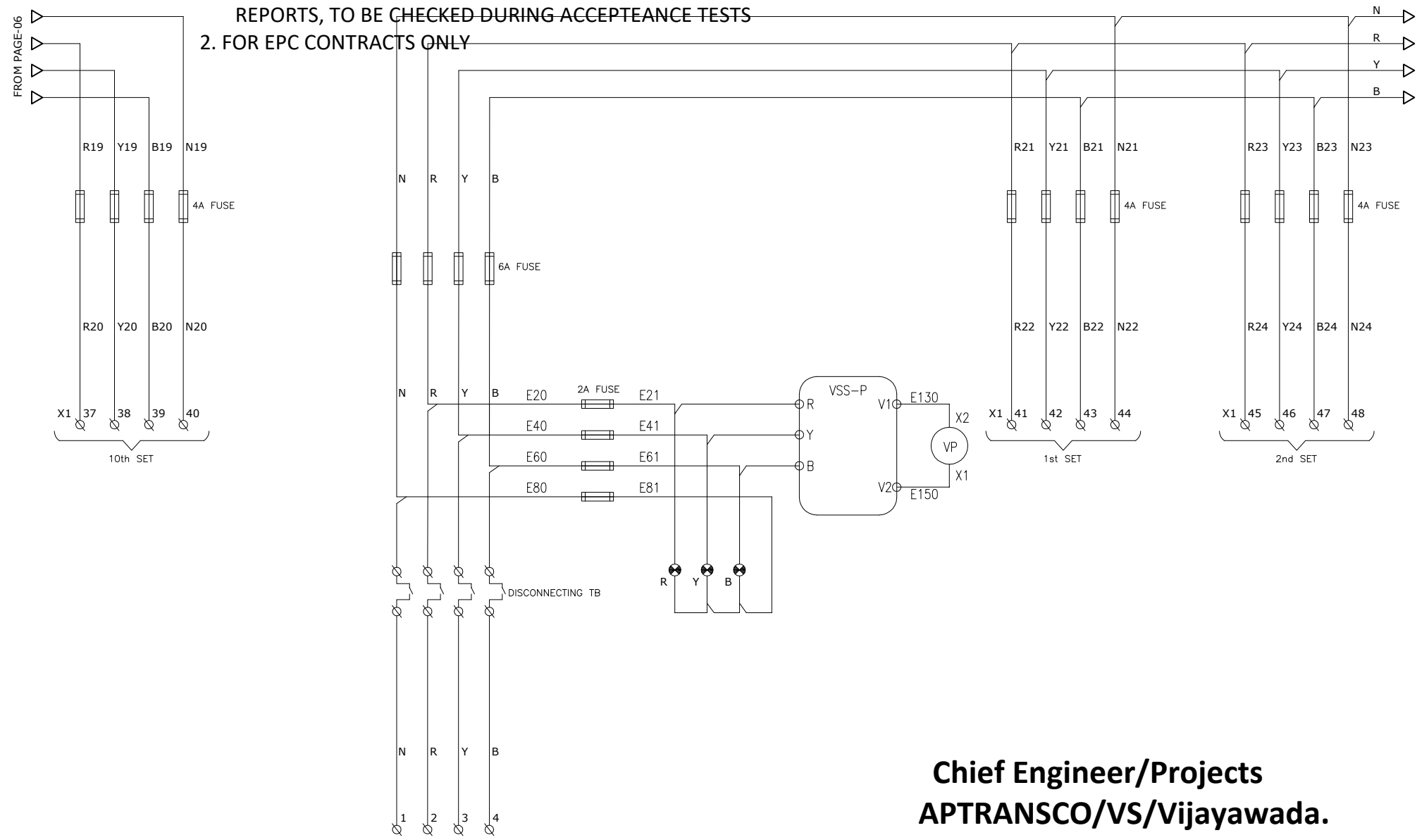
NOTE: 1. DRAWING APPROVAL SUBJECT TO VALID TYPE TEST REPORTS, TO BE CHECKED DURING ACCEPTANCE TESTS
 2. FOR EPC CONTRACTS ONLY

**Chief Engineer/Projects
 APTRANSCO/Vs/Vijayawada.**

				GREEN SECURE ENERGY SYSTEMS, .				DRN	KC	SCALE	NA	
								CHD	BB	DATE	10.09-2022	
R2	23.09.2022	REVISED AS PER CUSTOMER COMMENTS 23.09.2022	RC	TITLE: PTDB PANEL PAGE TYPE: OUTGOING POWER CIRCUIT				APPD	JR	SHEET NO.		
R1	16.09.2022	REVISED AS PER CUSTOMER COMMENTS 16.09.2022	RC					DRAWING No.	06 OF 15			
ALL DIMENSIONS ARE IN MM UNLESS OTHERWISE SPECIFIED.								GSS-21-22-018-PTDB	REV.	R2		

ALL INFORMATION CONTAINED IN THIS DOCUMENT IS CONFIDENTIAL AND COPYRIGHT THEREOF IS RESERVED BY GREEN SECURE ENERGY SYSTEMS, . THEY SHALL NOT BE USED FOR ANY PURPOSE OTHER THAN FOR WHICH THEY ARE SUPPLIED AND SHALL NOT BE COPIED OR REPRODUCED WITHOUT WRITTEN PERMISSION.

NOTE: 1. DRAWING APPROVAL SUBJECT TO VALID TYPE TEST REPORTS, TO BE CHECKED DURING ACCEPTANCE TESTS
 2. FOR EPC CONTRACTS ONLY



110V, 3 PH,N Supply From
 132KV P.T. BUS-1 FOR PROTECTION

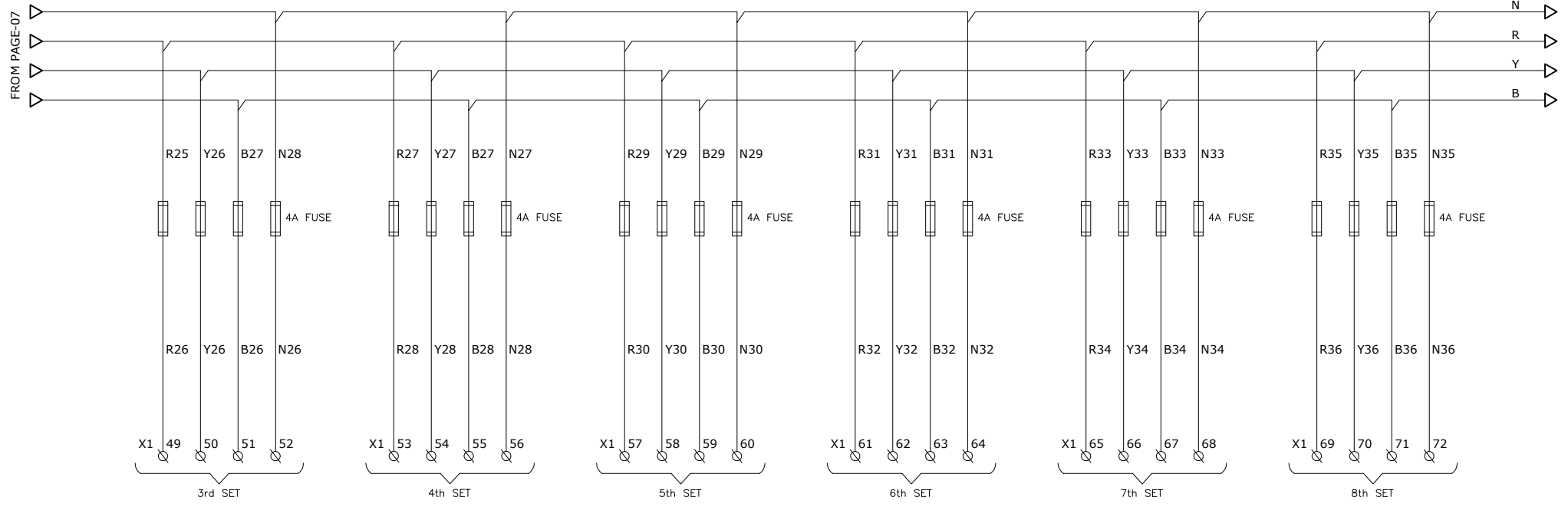
Chief Engineer/Projects
APTRANSCO/VS/Vijayawada.

R2	23.09.2022	REVISED AS PER CUSTOMER COMMENTS 23.09.2022	RC
R1	16.09.2022	REVISED AS PER CUSTOMER COMMENTS 16.09.2022	RC

ALL DIMENSIONS ARE IN MM UNLESS OTHERWISE SPECIFIED.

		DRN	KC	SCALE	NA	
		CHD	BB	DATE	26.04.2022	
TITLE	PTDB PANEL		APPD	JR	SHEET NO.	
	INCOMING & OUTGOING POWER CIRCUIT		DRAWING No.		07 OF 15	
	PAGE TYPE		GSS-21-22-018-PTDB		REV.	R2

ALL INFORMATION CONTAINED IN THIS DOCUMENT IS CONFIDENTIAL AND COPYRIGHT THEREOF IS RESERVED BY GREEN SECURE ENERGY SYSTEMS, .
 THEY SHALL NOT BE USED FOR ANY PURPOSE OTHER THAN FOR WHICH THEY ARE SUPPLIED AND SHALL NOT BE COPIED OR REPRODUCED WITHOUT WRITTEN PERMISSION.



NOTE: 1. DRAWING APPROVAL SUBJECT TO VALID TYPE TEST REPORTS, TO BE CHECKED DURING ACCEPTANCE TESTS
 2. FOR EPC CONTRACTS ONLY

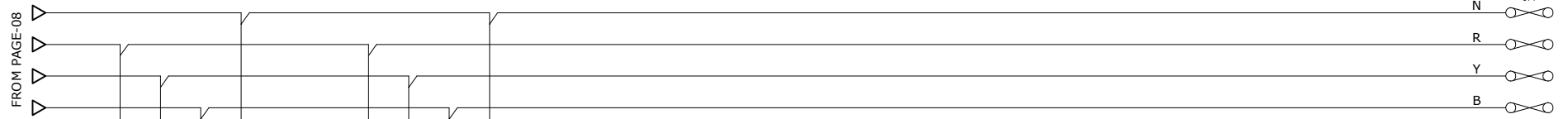
Chief Engineer/Projects
APTRANSCO/VS/Vijayawada.

R2	23.09.2022	REVISED AS PER CUSTOMER COMMENTS 23.09.2022	RC
R1	16.09.2022	REVISED AS PER CUSTOMER COMMENTS 16.09.2022	RC

TITLE	PAGE TYPE	PTDB PANEL OUTGOING POWER CIRCUIT	DRN	KC	SCALE	NA
			CHD	BB	DATE	10.09.2022
			APPD	JR	SHEET NO. 08 OF 15	
GSS-21-22-018-PTDB			REV.	R2		

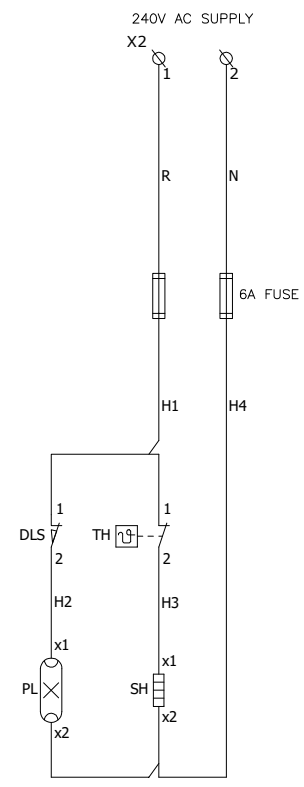
ALL DIMENSIONS ARE IN MM UNLESS OTHERWISE SPECIFIED.

ALL INFORMATION CONTAINED IN THIS DOCUMENT IS CONFIDENTIAL AND COPYRIGHT THEREOF IS RESERVED BY GREEN SECURE ENERGY SYSTEMS,. THEY SHALL NOT BE USED FOR ANY PURPOSE OTHER THAN FOR WHICH THEY ARE SUPPLIED AND SHALL NOT BE COPIED OR REPRODUCED WITHOUT WRITTEN PERMISSION.



NOTE: 1. DRAWING APPROVAL SUBJECT TO VALID TYPE TEST REPORTS, TO BE CHECKED DURING ACCEPTANCE TESTS
2. FOR EPC CONTRACTS ONLY

**Chief Engineer/Projects
APTRANSCO/VS/Vijayawada.**



R2	23.09.2022	REVISED AS PER CUSTOMER COMMENTS 23.09.2022	RC
R1	16.09.2022	REVISED AS PER CUSTOMER COMMENTS 16.09.2022	RC

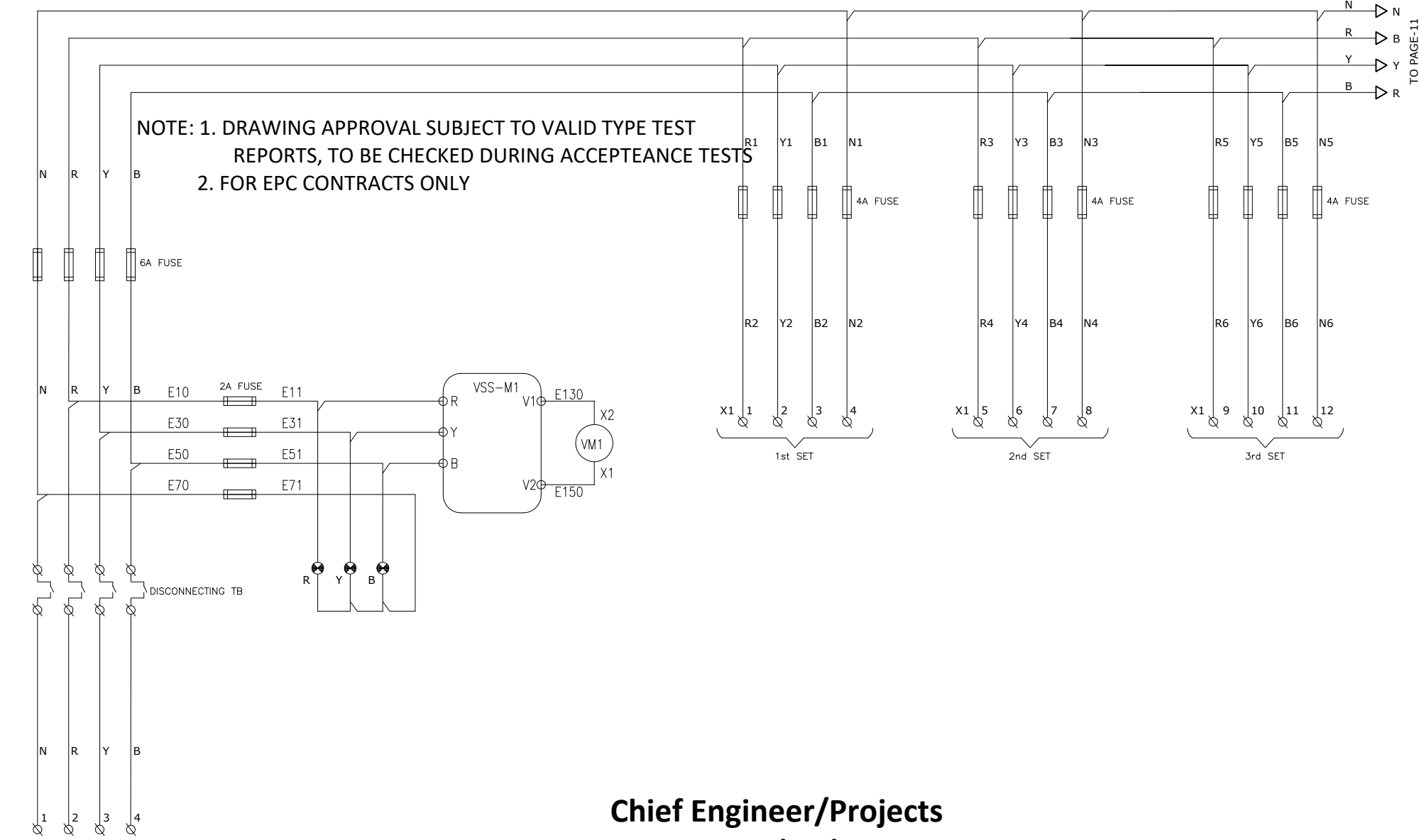
ALL DIMENSIONS ARE IN MM UNLESS OTHERWISE SPECIFIED.

GREEN SECURE ENERGY SYSTEMS,.	DRN	KC	SCALE	NA
	CHD	BB	DATE	10.09.2022
	APPD	JR	SHEET NO. 09 OF 15	
TITLE	PTDB PANEL		DRAWING No.	REV.
PAGE TYPE	OUTGOING POWER CIRCUIT		GSS-21-22-018-PTDB	R2

ALL INFORMATION CONTAINED IN THIS DOCUMENT IS CONFIDENTIAL AND COPYRIGHT THEREOF IS RESERVED BY GREEN SECURE ENERGY SYSTEMS, THEY SHALL NOT BE USED FOR ANY PURPOSE OTHER THAN FOR WHICH THEY ARE SUPPLIED AND SHALL NOT BE COPIED OR REPRODUCED WITHOUT WRITTEN PERMISSION.

TO PAGE-11

NOTE: 1. DRAWING APPROVAL SUBJECT TO VALID TYPE TEST REPORTS, TO BE CHECKED DURING ACCEPTANCE TESTS
2. FOR EPC CONTRACTS ONLY



110V, 3 PH.N Supply From
 33KV P.T. BUS-1 FOR METERING

Chief Engineer/Projects APTRANSCO/Vs/Vijayawada.

R2	23.09.2022	REVISED AS PER CUSTOMER COMMENTS 23.09.2022	RC
R1	16.09.2022	REVISED AS PER CUSTOMER COMMENTS 16.09.2022	RC

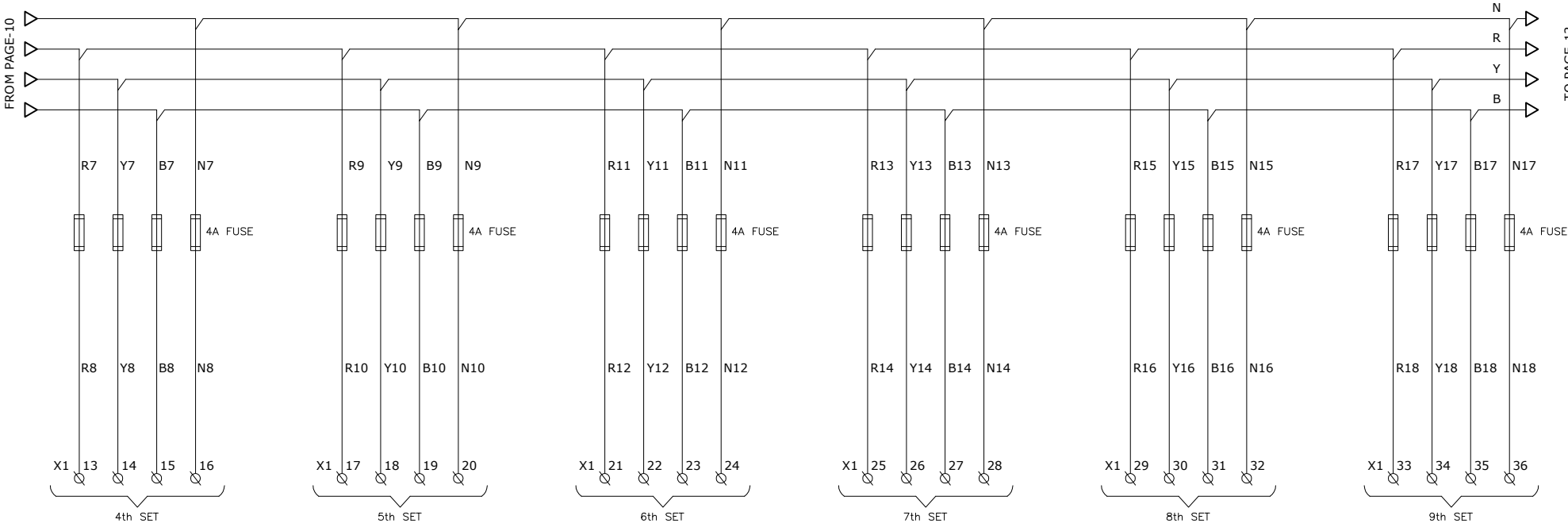
GREEN SECURE ENERGY SYSTEMS,.

TITLE: **PTDB PANEL**
INCOMING POWER CIRCUIT

DRN	KC	SCALE	NA
CHD	BB	DATE	10.09.2022
APPD	JR	SHEET NO. 10 OF 15	
DRAWING No. GSS-21-22-018-PTDB		REV.	R2

ALL DIMENSIONS ARE IN MM UNLESS OTHERWISE SPECIFIED.

ALL INFORMATION CONTAINED IN THIS DOCUMENT IS CONFIDENTIAL AND COPYRIGHT THEREOF IS RESERVED BY GREEN SECURE ENERGY SYSTEMS, . THEY SHALL NOT BE USED FOR ANY PURPOSE OTHER THAN FOR WHICH THEY ARE SUPPLIED AND SHALL NOT BE COPIED OR REPRODUCED WITHOUT WRITTEN PERMISSION.



NOTE: 1. DRAWING APPROVAL SUBJECT TO VALID TYPE TEST REPORTS, TO BE CHECKED DURING ACCEPTANCE TESTS
 2. FOR EPC CONTRACTS ONLY

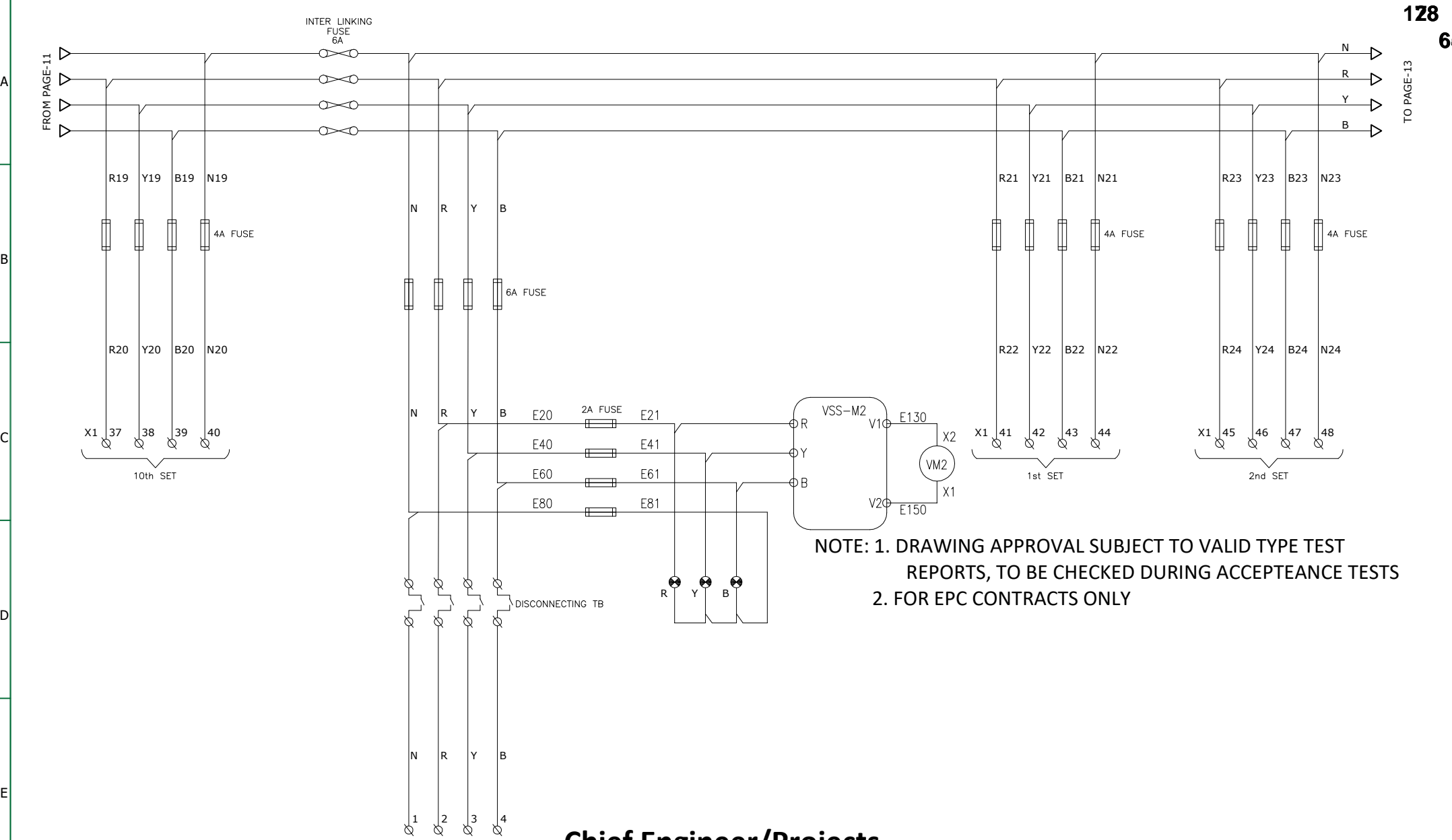
**Chief Engineer/Projects
 APTRANSCO/VS/Vijayawada.**

R2	23.09.2022	REVISED AS PER CUSTOMER COMMENTS 23.09.2022	RC
R1	16.09.2022	REVISED AS PER CUSTOMER COMMENTS 16.09.2022	RC

GREEN SECURE ENERGY SYSTEMS, .		DRN	KC	SCALE	NA	
		CHD	BB	DATE	10.09.2022	
TITLE	PTDB PANEL		APPD	JR	SHEET NO.	
			DRAWING No.		11 OF 15	
			GSS-21-22-018-PTDB		REV.	R2
PAGE TYPE	OUTGOING POWER CIRCUIT					

ALL DIMENSIONS ARE IN MM UNLESS OTHERWISE SPECIFIED.

ALL INFORMATION CONTAINED IN THIS DOCUMENT IS CONFIDENTIAL AND COPYRIGHT THEREOF IS RESERVED BY GREEN SECURE ENERGY SYSTEMS, THEY SHALL NOT BE USED FOR ANY PURPOSE OTHER THAN FOR WHICH THEY ARE SUPPLIED AND SHALL NOT BE COPIED OR REPRODUCED WITHOUT WRITTEN PERMISSION.



110V, 3 PH.N Supply From 33KV P.T. BUS-2 FOR METERING

**Chief Engineer/Projects
APTRANSCO/VS/Vijayawada.**

**NOTE: 1. DRAWING APPROVAL SUBJECT TO VALID TYPE TEST REPORTS, TO BE CHECKED DURING ACCEPTANCE TESTS
2. FOR EPC CONTRACTS ONLY**

R2	23.09.2022	REVISED AS PER CUSTOMER COMMENTS 23.09.2022	RC
R1	16.09.2022	REVISED AS PER CUSTOMER COMMENTS 16.09.2022	RC

GREEN SECURE ENERGY SYSTEMS,.

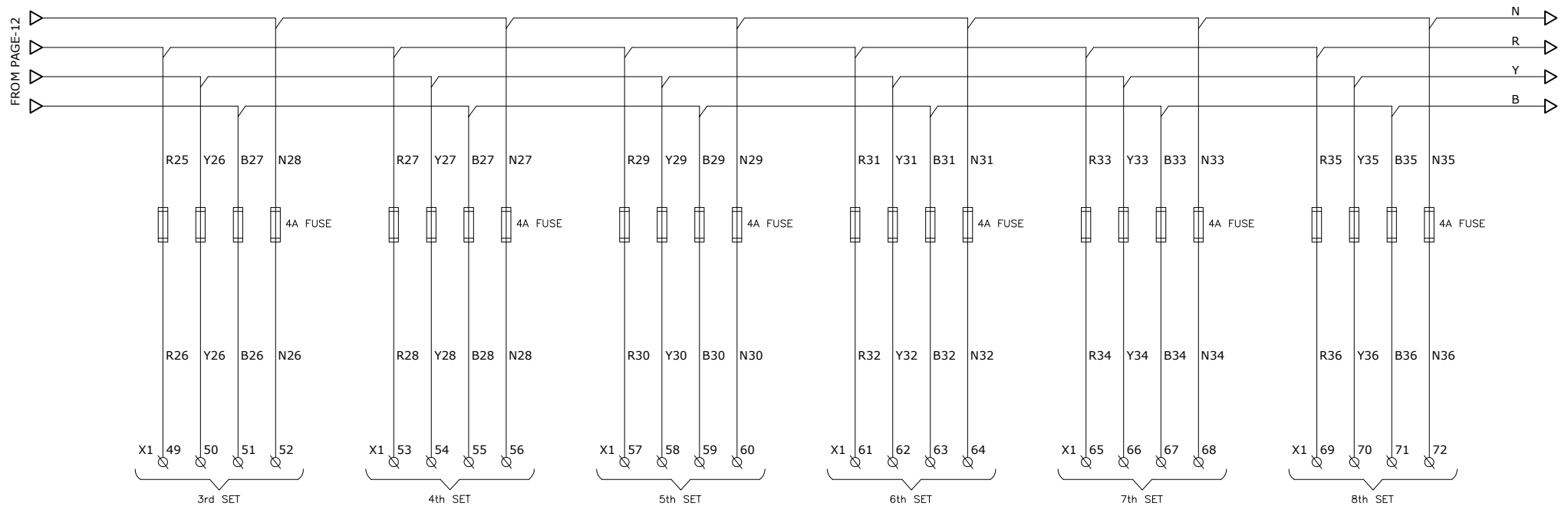
TITLE: **PTDB PANEL**
PAGE TYPE: **INCOMING & OUTGOING POWER CIRCUIT**

DRN	KC	SCALE	NA
CHD	BB	DATE	10.09.2022
APPD	JR	SHEET NO. 12 OF 15	
DRAWING No. GSS-21-22-018-PTDB		REV.	R2

ALL DIMENSIONS ARE IN MM UNLESS OTHERWISE SPECIFIED.

TO PAGE-13

ALL INFORMATION CONTAINED IN THIS DOCUMENT IS CONFIDENTIAL AND COPYRIGHT THEREOF IS RESERVED BY GREEN SECURE ENERGY SYSTEMS, . THEY SHALL NOT BE USED FOR ANY PURPOSE OTHER THAN FOR WHICH THEY ARE SUPPLIED AND SHALL NOT BE COPIED OR REPRODUCED WITHOUT WRITTEN PERMISSION.



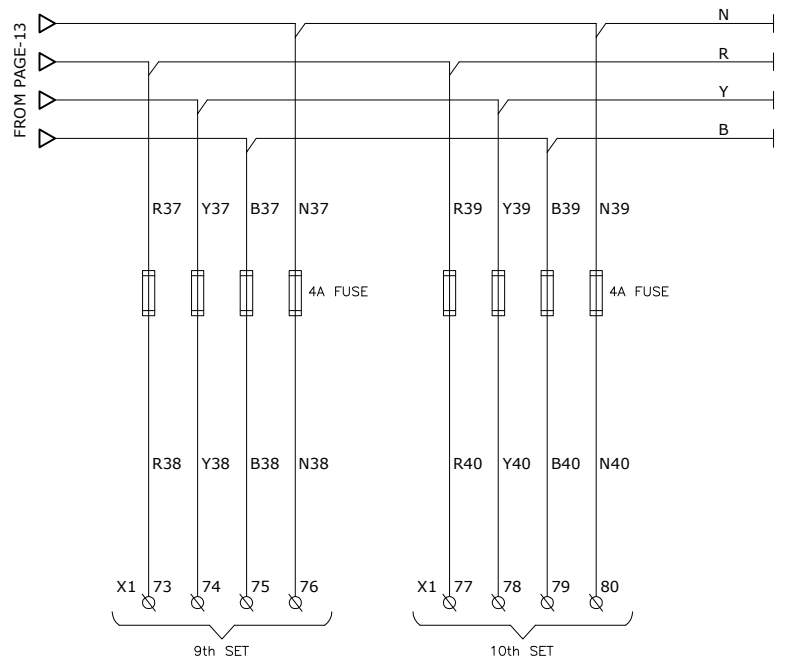
NOTE: 1. DRAWING APPROVAL SUBJECT TO VALID TYPE TEST REPORTS, TO BE CHECKED DURING ACCEPTANCE TESTS
 2. FOR EPC CONTRACTS ONLY

**Chief Engineer/Projects
 APTRANSCO/VS/Vijayawada.**

				GREEN SECURE ENERGY SYSTEMS, .		DRN	KC	SCALE	NA
						CHD	BB	DATE	10.09.2022
R2	23.09.2022	REVISED AS PER CUSTOMER COMMENTS 23.09.2022	RC	TITLE PTDB PANEL OUTGOING POWER CIRCUIT		APPD	JR	SHEET NO.	
R1	16.09.2022	REVISED AS PER CUSTOMER COMMENTS 16.09.2022	RC			DRAWING No.		GSS-21-22-018-PTDB	
ALL DIMENSIONS ARE IN MM UNLESS OTHERWISE SPECIFIED.				PAGE TYPE			REV.	R2	

TO PAGE-14


ALL INFORMATION CONTAINED IN THIS DOCUMENT IS CONFIDENTIAL AND COPYRIGHT THEREOF IS RESERVED BY GREEN SECURE ENERGY SYSTEMS,. THEY SHALL NOT BE USED FOR ANY PURPOSE OTHER THAN FOR WHICH THEY ARE SUPPLIED AND SHALL NOT BE COPIED OR REPRODUCED WITHOUT WRITTEN PERMISSION.



NOTE: 1. DRAWING APPROVAL SUBJECT TO VALID TYPE TEST REPORTS, TO BE CHECKED DURING ACCEPTANCE TESTS
 2. FOR EPC CONTRACTS ONLY

**Chief Engineer/Projects
 APTRANSCO/VS/Vijayawada.**

R2	23.09.2022	REVISED AS PER CUSTOMER COMMENTS 23.09.2022	RC
R1	16.09.2022	REVISED AS PER CUSTOMER COMMENTS 16.09.2022	RC


GREEN SECURE ENERGY SYSTEMS,.

TITLE	PTDB PANEL
PAGE TYPE	OUTGOING POWER CIRCUIT

DRN	KC	SCALE	NA
CHD	BB	DATE	10.092022
APPD	JR	SHEET NO.	
DRAWING No.		14	OF 15
GSS-21-22-018-PTDB		REV.	R2

ALL DIMENSIONS ARE IN MM UNLESS OTHERWISE SPECIFIED.

NOTE: 1. DRAWING APPROVAL SUBJECT TO VALID TYPE TEST REPORTS, TO BE CHECKED DURING ACCEPTANCE TESTS
2. FOR EPC CONTRACTS ONLY

Volt Meter 0 to 150V

**BIL OF METERIALS
INCOMER :**

SI. No.	Tag	Specification	Make	UOM	Quantity
1	FUSE	6A FUSE	L&T/C&S	Nos	28
2	FUSE	2A FUSE	L&T/C&S	Nos	16
3	VP	ANALOG VOLTMETER, 96Sq.mm, CLASS:1, 0-500V, AUX:110V AC	KEW	Nos	2
4	VM	ANALOG VOLTMETER, 96Sq.mm, CLASS:1, 0-500V, AUX:110V AC	KEW	Nos	2
5	VSS-P	VOLTMETER SELECTOR SWITCH 6 POSITION 10A	SALZER/KAYCEE	Nos	2
6	VSS-M	VOLTMETER SELECTOR SWITCH 6 POSITION 10A	SALZER/KAYCEE	Nos	2
7	L1-L3	AC INDICATION LAMP, 63.5V AC, 22.5 ^o	ESBEE/C&S	Nos	12

OUTGOING-1-40

1	SFU	CONTROL FUSES 4A	L&T/C&S	Nos	160
---	-----	------------------	---------	-----	-----

PANEL ACCESERIES

1	FUSE	6A FUSE	L&T/C&S	Nos	2
2	SH	Space heater 80W, 230V AC	GIRISH	Nos	1
3	TS	Thermostat 30-85 Deg C, 230V AC	GIRISH	Nos	1
4	PL	Panel Lamp 5W, 230V AC, LED Light with mounting Holder	PHILIPS	Nos	1
5	DLS	DOOR LIMIT SWITCH	SURAJ	Nos	1
6	PS	Socket 6A, 230V AC Utility Socket, Universal type	ANCHOR	Nos	1
7	TB	STUD TYPE NON DISCONNECTING TYPE TERMINAL BLOCKS	ELMEX	Nos	170
8	TB	DISCONNECTING TYPE TERMINAL BLOCKS	ELMEX	Nos	18

**Chief Engineer/Projects
APTRANSCO/Vs/Vijayawada.**

ALL INFORMATION CONTAINED IN THIS DOCUMENT IS CONFIDENTIAL AND COPYRIGHT THEREOF IS RESERVED BY GREEN SECURE ENERGY SYSTEMS. THEY SHALL NOT BE USED FOR ANY PURPOSE OTHER THAN FOR WHICH THEY ARE SUPPLIED AND SHALL NOT BE COPIED OR REPRODUCED WITHOUT WRITTEN PERMISSION.

R2	23.09.2022	REVISED AS PER CUSTOMER COMMENTS 23.09.2022	RC
R1	16.09.2022	REVISED AS PER CUSTOMER COMMENTS 16.09.2022	RC

TITLE	PAGE TYPE	PTDB PANEL	DRAWING No. GSS-21-22-018-PTDB	DRN	KC	SCALE	NA
				CHD	BB	DATE	10.09.2022
				APPD	JR	SHEET NO. 15 OF 15	
				REV.	R2		

ALL DIMENSIONS ARE IN MM UNLESS OTHERWISE SPECIFIED.