

NOTE: 1. DRAWING APPROVAL SUBJECT TO VALID TYPE TEST REPORTS, TO BE CHECKED DURING ACCEPTANCE TESTS
2. FOR EPC CONTRACTS ONLY

PTDB PANEL FOR 220kV PT

END USER : M/s. APTRANSCO
CUSTOMER : AS APPLICABLE
PURCHASE ORDER No. : AS APPLICABLE
QTY : AS APPLICABLE
DRAWING NO. : GSS-2021-015-PTDB

SH.NO.	DESCRIPTION	SHEET NO.	REV. No.
01	COVER & INDEX SHEET	01 OF 15	R4
02	GENERAL ARRANGEMENT	02 OF 15	R4
03	SINGLE LINE DIAGRAM	03 OF 15	R4
04	SINGLE LINE DIAGRAM	04 OF 15	R4
05	INCOMING POWER CIRCUIT	05 OF 15	R4
06	OUTGOING POWER CIRCUIT	06 OF 15	R4
07	INCOMING & OUTGOING POWER CIRCUIT	07 OF 15	R4
08	OUTGOING POWER CIRCUIT	08 OF 15	R4
09	OUTGOING POWER CIRCUIT	09 OF 15	R4
10	INCOMING POWER CIRCUIT	10 OF 15	R4
11	OUTGOING POWER CIRCUIT	11 OF 15	R4
12	INCOMING & OUTGOING POWER CIRCUIT	12 OF 15	R4
13	OUTGOING POWER CIRCUIT	13 OF 15	R4
14	OUTGOING POWER CIRCUIT	14 OF 15	R4
15	BILL OF MATERIAL	15 OF 15	R4

**Chief Engineer/Projects
APTRANSCO/VS/Vijayawada.**

Drawing approval subject to valid vendor registration

ALL INFORMATION CONTAINED IN THIS DOCUMENT IS CONFIDENTIAL AND COPYRIGHT THEREOF IS RESERVED BY GREEN SECURE ENERGY SYSTEMS,. THEY SHALL NOT BE USED FOR ANY PURPOSE OTHER THAN FOR WHICH THEY ARE SUPPLIED AND SHALL NOT BE COPIED OR REPRODUCED WITHOUT WRITTEN PERMISSION.

R4	03.10.2022	REVISED AS PER CUSTOMER COMMENTS 27.09.2022	RC
R3	23.09.2022	REVISED AS PER CUSTOMER COMMENTS 23.09.2022	RC
R2	08.09.2022	REVISED AS PER CUSTOMER COMMENTS 22.08.2022	RC
R1	25.07.2022	REVISED AS PER CUSTOMER COMMENTS 25.07.2022	RC

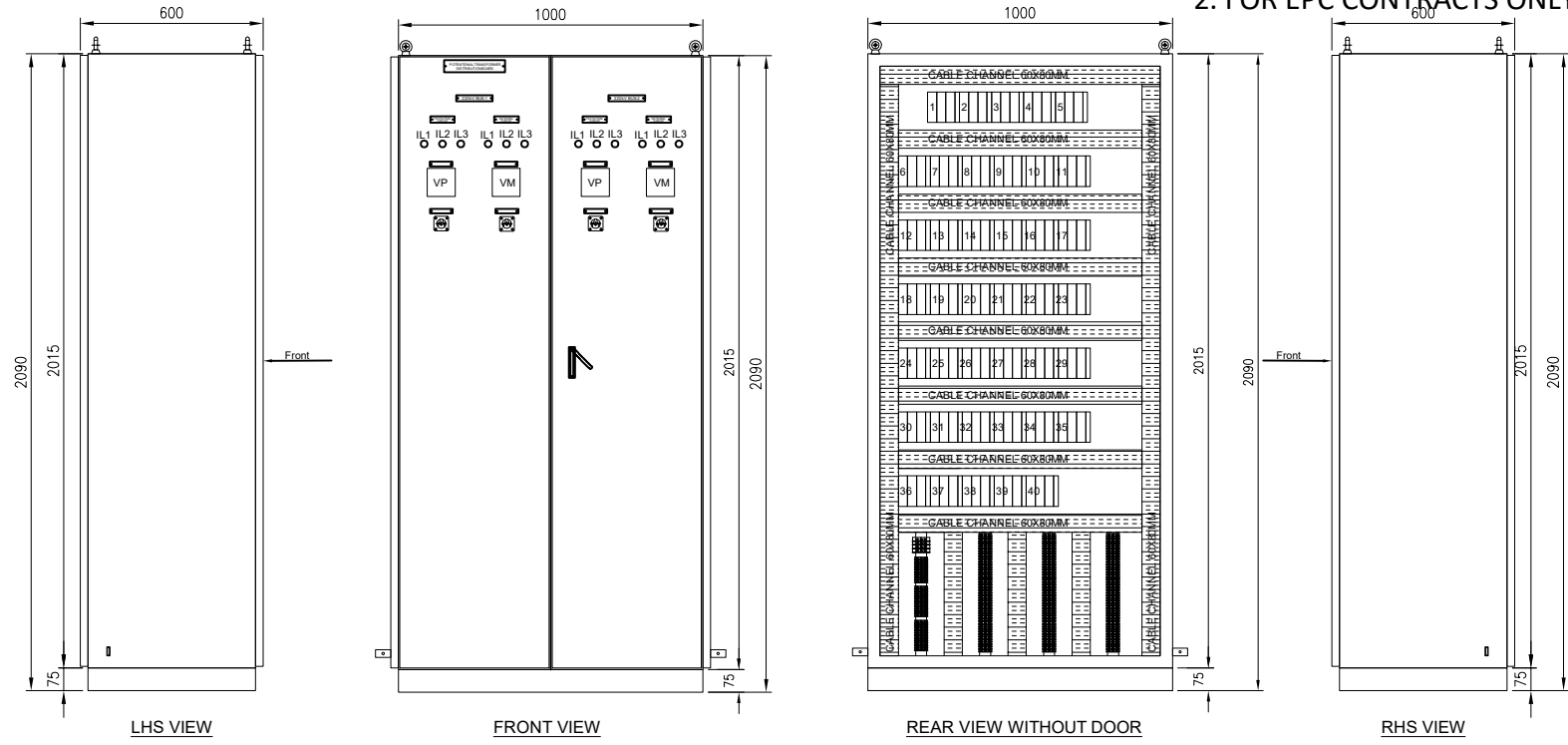
TITLE		PTDB PANEL		DRN	KCR	SCALE	NA
				CHD	BB	DATE	26.04.2022
PAGE TYPE		COVER & INDEX SHEET		APPD	JR	SHEET NO.	
				DRAWING No.		01	OF 15
				GSS-2021-015-PTDB	REV.	R4	

ALL DIMENSIONS ARE IN MM UNLESS OTHERWISE SPECIFIED.

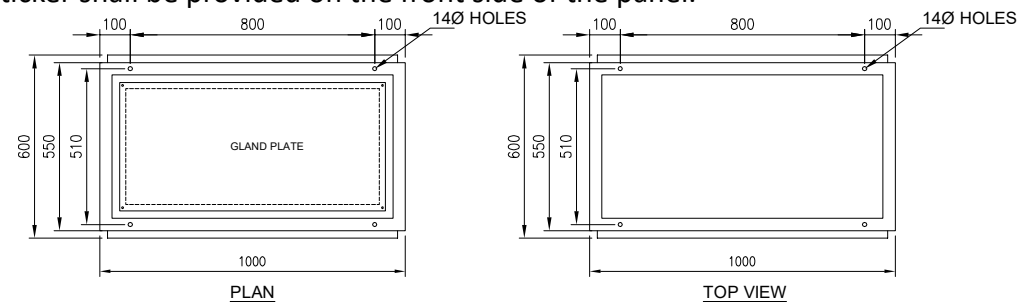
ALL INFORMATION CONTAINED IN THIS DOCUMENT IS CONFIDENTIAL AND COPYRIGHT THEREOF IS RESERVED BY GREEN SECURE ENERGY SYSTEMS. THEY SHALL NOT BE USED FOR ANY PURPOSE OTHER THAN FOR WHICH THEY ARE SUPPLIED AND SHALL NOT BE COPIED OR REPRODUCED WITHOUT WRITTEN PERMISSION.

NOTE: 1. DRAWING APPROVAL SUBJECT TO VALID TYPE TEST REPORTS, TO BE CHECKED DURING ACCEPTANCE TESTS
 2. FOR EPC CONTRACTS ONLY

183
650



The following PVC sticker shall be provided on the front side of the panel.



**Chief Engineer/Projects
 APTRANSCO/VS/Vijayawada.**

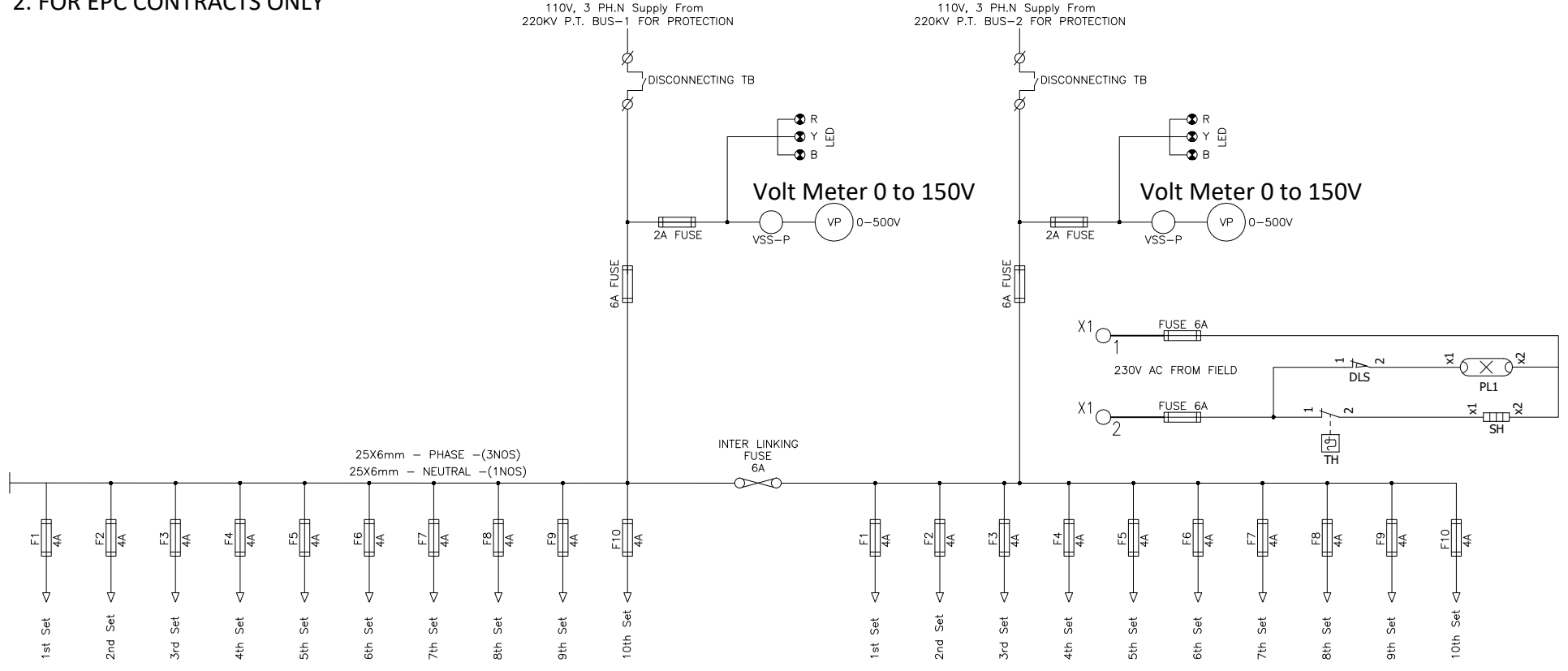
- 1. Interlinking Fuses shall be inserted only when a PT fails.
- 2. PT Secondaries shall not be paralleled.

Drawing approval subject to valid vendor registration

NOTE:
 1. PANEL SHALL BE FABRICATED WITH 2mm CRCA SHEET
 2. IP PROTECTION : IP42
 3. PANEL COLOUR : 631 OF IS-5

				GREEN SECURE ENERGY SYSTEMS,.		DRN	KCR	SCALE	NA
R4	03.10.2022	REVISED AS PER CUSTOMER COMMENTS 27.09.2022	RC			CHD	BB	DATE	26.04.2022
R3	23.09.2022	REVISED AS PER CUSTOMER COMMENTS 23.09.2022	RC	TITLE PTDB PANEL GENERAL ARRANGEMENT		APPD	JR	SHEET NO.	
R2	08.09.2022	REVISED AS PER CUSTOMER COMMENTS 22.08.2022	RC			DRAWING No.		02 OF 15	
R1	25.07.2022	REVISED AS PER CUSTOMER COMMENTS 25.07.2022	RC			GSS-2021-015-PTDB		REV.	R4
ALL DIMENSIONS ARE IN MM UNLESS OTHERWISE SPECIFIED.									

NOTE: 1. DRAWING APPROVAL SUBJECT TO VALID TYPE TEST REPORTS, TO BE CHECKED DURING ACCEPTANCE TESTS
 2. FOR EPC CONTRACTS ONLY



Chief Engineer/Projects
APTRANSCO/VS/Vijayawada.

Drawing approval subject to valid vendor registration

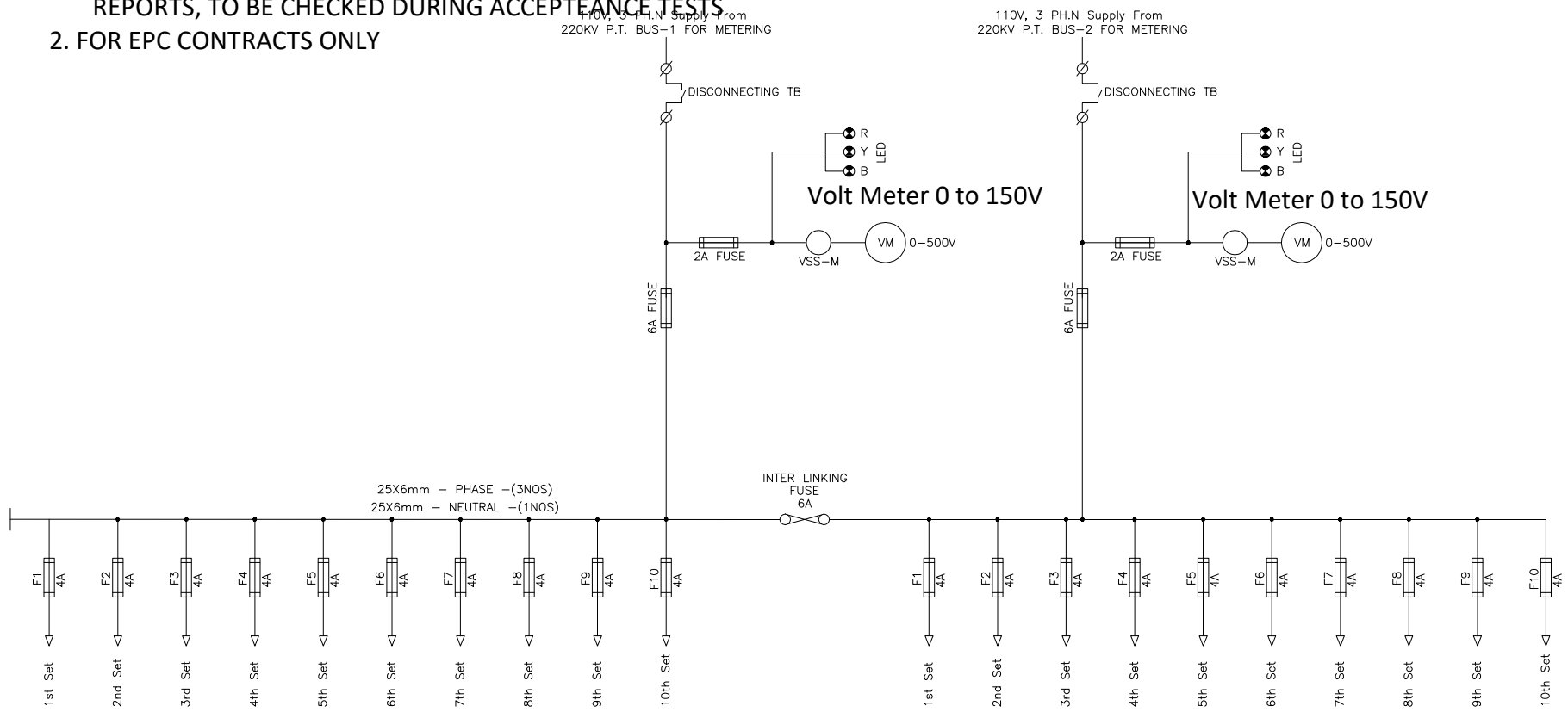
ALL INFORMATION CONTAINED IN THIS DOCUMENT IS CONFIDENTIAL AND COPYRIGHT THEREOF IS RESERVED BY GREEN SECURE ENERGY SYSTEMS, THEY SHALL NOT BE USED FOR ANY PURPOSE OTHER THAN FOR WHICH THEY ARE SUPPLIED AND SHALL NOT BE COPIED OR REPRODUCED WITHOUT WRITTEN PERMISSION.

R4	03.10.2022	REVISED AS PER CUSTOMER COMMENTS 27.09.2022	RC
R3	23.09.2022	REVISED AS PER CUSTOMER COMMENTS 23.09.2022	RC
R2	08.09.2022	REVISED AS PER CUSTOMER COMMENTS 22.08.2022	RC
R1	25.07.2022	REVISED AS PER CUSTOMER COMMENTS 25.07.2022	RC

ALL DIMENSIONS ARE IN MM UNLESS OTHERWISE SPECIFIED.

TITLE	PAGE TYPE	PTDB PANEL	DRN	KCR	SCALE	NA
			CHD	BB	DATE	26.04.2022
SINGLE LINE DIAGRAM			APPD	JR	SHEET NO.	
			DRAWING No.		03 OF 15	
			GSS-2021-015-PTDB		REV.	R4

NOTE: 1. DRAWING APPROVAL SUBJECT TO VALID TYPE TEST REPORTS, TO BE CHECKED DURING ACCEPTANCE TESTS
 2. FOR EPC CONTRACTS ONLY



Drawing approval subject to valid vendor registration

**Chief Engineer/Projects
 APTRANSCO/VS/Vijayawada.**

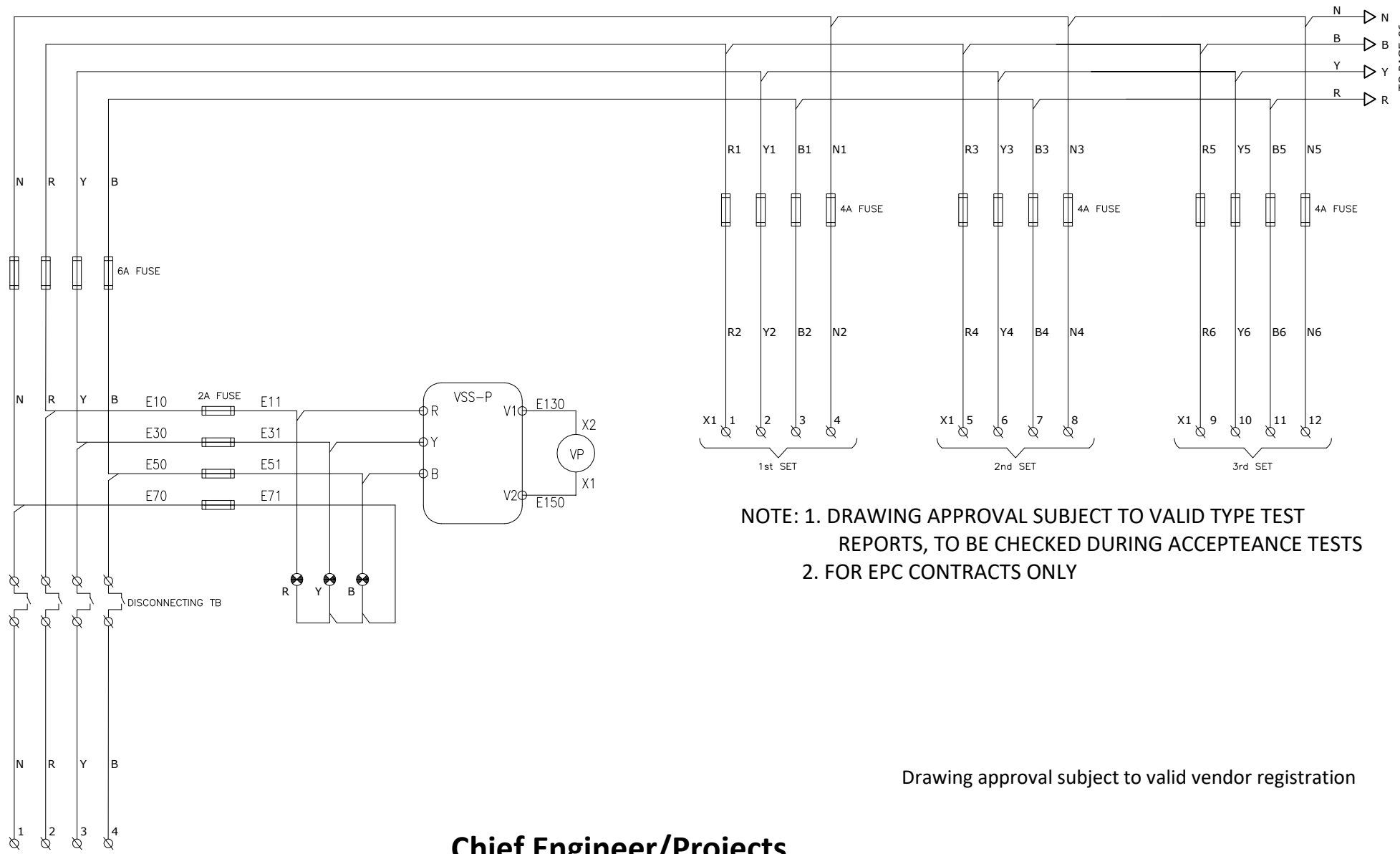
ALL INFORMATION CONTAINED IN THIS DOCUMENT IS CONFIDENTIAL AND COPYRIGHT THEREOF IS RESERVED BY GREEN SECURE ENERGY SYSTEMS, THEY SHALL NOT BE USED FOR ANY PURPOSE OTHER THAN FOR WHICH THEY ARE SUPPLIED AND SHALL NOT BE COPIED OR REPRODUCED WITHOUT WRITTEN PERMISSION.

R4	03.10.2022	REVISED AS PER CUSTOMER COMMENTS 27.09.2022	RC
R3	23.09.2022	REVISED AS PER CUSTOMER COMMENTS 23.09.2022	RC
R2	08.09.2022	REVISED AS PER CUSTOMER COMMENTS 22.08.2022	RC
R1	25.07.2022	REVISED AS PER CUSTOMER COMMENTS 25.07.2022	RC

TITLE	PAGE TYPE	PTDB PANEL	DRN	KCR	SCALE	NA
			CHD	BB	DATE	26.04.2022
SINGLE LINE DIAGRAM			APPD	JR	SHEET NO.	
			DRAWING No.		04 OF 15	
			GSS-2021-015-PTDB		REV.	R4

ALL DIMENSIONS ARE IN MM UNLESS OTHERWISE SPECIFIED.

ALL INFORMATION CONTAINED IN THIS DOCUMENT IS CONFIDENTIAL AND COPYRIGHT THEREOF IS RESERVED BY GREEN SECURE ENERGY SYSTEMS,. THEY SHALL NOT BE USED FOR ANY PURPOSE OTHER THAN FOR WHICH THEY ARE SUPPLIED AND SHALL NOT BE COPIED OR REPRODUCED WITHOUT WRITTEN PERMISSION.



- NOTE: 1. DRAWING APPROVAL SUBJECT TO VALID TYPE TEST REPORTS, TO BE CHECKED DURING ACCEPTANCE TESTS
- 2. FOR EPC CONTRACTS ONLY

Drawing approval subject to valid vendor registration

110V, 3 PH.N Supply From
220KV P.T. BUS-1 FOR PROTECTION

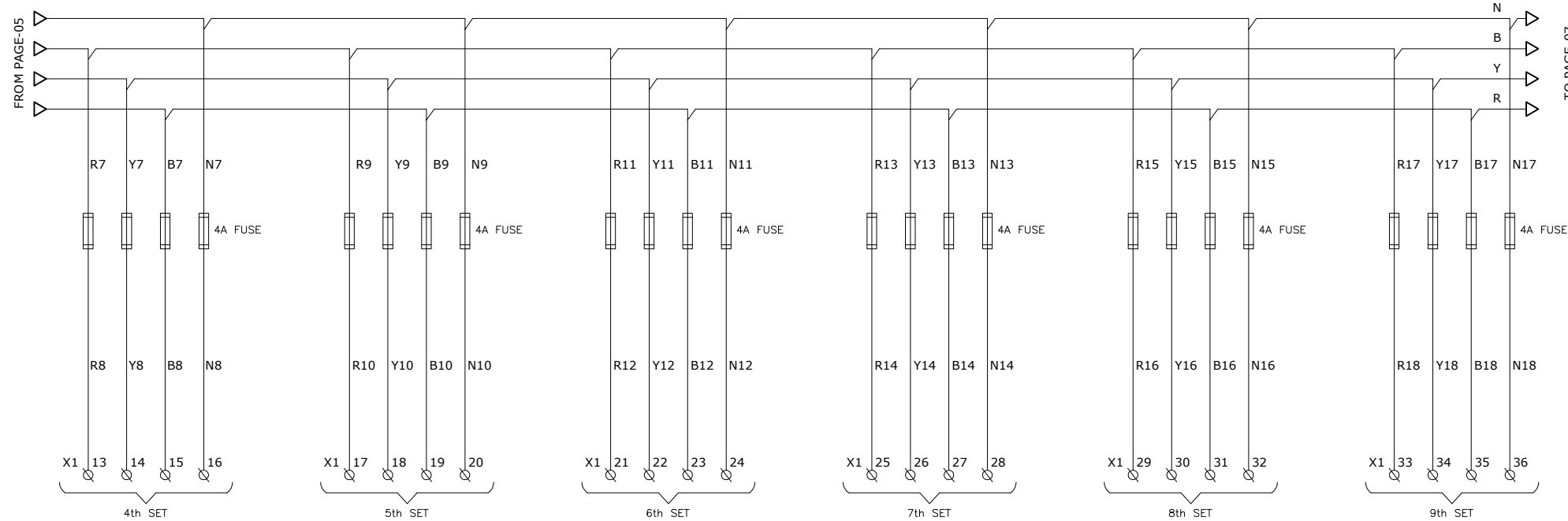
Chief Engineer/Projects
APTRANSCO/VS/Vijayawada.

R4	03.10.2022	REVISED AS PER CUSTOMER COMMENTS 27.09.2022	RC
R3	23.09.2022	REVISED AS PER CUSTOMER COMMENTS 23.09.2022	RC
R2	08.09.2022	REVISED AS PER CUSTOMER COMMENTS 22.08.2022	RC
R1	25.07.2022	REVISED AS PER CUSTOMER COMMENTS 25.07.2022	RC

		DRN	KCR	SCALE	NA		
		CHD	BB	DATE	26.04.2022		
TITLE	PTDB PANEL			APPD	JR	SHEET NO.	
	INCOMING POWER CIRCUIT			DRAWING No.		05 OF 15	
	PAGE TYPE	GSS-2021-015-PTDB			REV.	R4	

ALL DIMENSIONS ARE IN MM UNLESS OTHERWISE SPECIFIED.

ALL INFORMATION CONTAINED IN THIS DOCUMENT IS CONFIDENTIAL AND COPYRIGHT THEREOF IS RESERVED BY GREEN SECURE ENERGY SYSTEMS, . THEY SHALL NOT BE USED FOR ANY PURPOSE OTHER THAN FOR WHICH THEY ARE SUPPLIED AND SHALL NOT BE COPIED OR REPRODUCED WITHOUT WRITTEN PERMISSION.



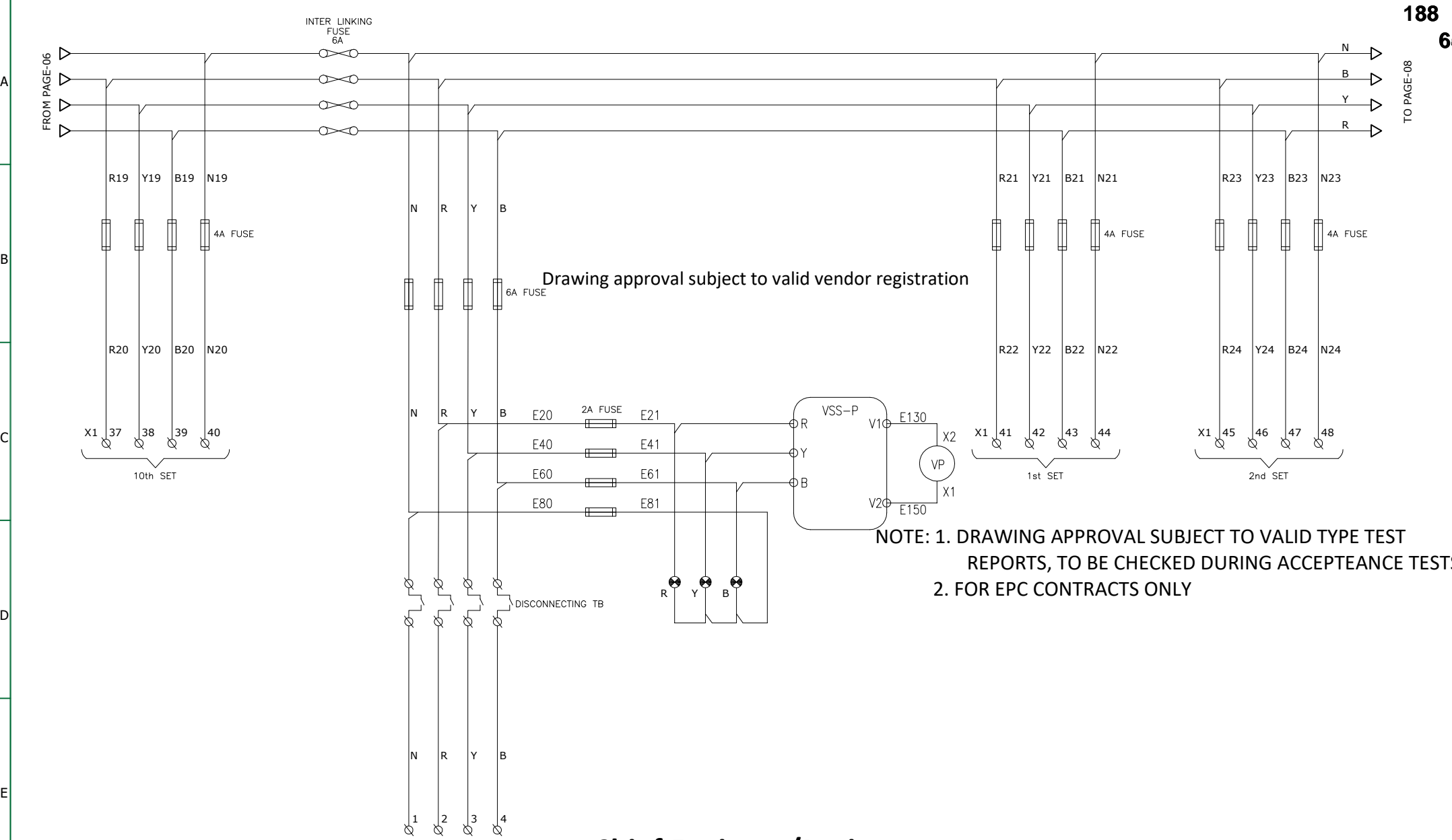
NOTE: 1. DRAWING APPROVAL SUBJECT TO VALID TYPE TEST REPORTS, TO BE CHECKED DURING ACCEPTANCE TESTS
 2. FOR EPC CONTRACTS ONLY

Drawing approval subject to valid vendor registration

**Chief Engineer/Projects
 APTRANSCO/VS/Vijayawada.**

				GREEN SECURE ENERGY SYSTEMS, .				DRN	KCR	SCALE	NA
R4	03.10.2022	REVISED AS PER CUSTOMER COMMENTS 27.09.2022	RC					CHD	BB	DATE	26.04.2022
R3	23.09.2022	REVISED AS PER CUSTOMER COMMENTS 23.09.2022	RC	TITLE: PTDB PANEL PAGE TYPE: OUTGOING POWER CIRCUIT				APPD	JR	SHEET NO.	
R2	08.09.2022	REVISED AS PER CUSTOMER COMMENTS 22.08.2022	RC					DRAWING No.	06 OF 15		
R1	25.07.2022	REVISED AS PER CUSTOMER COMMENTS 25.07.2022	RC	ALL DIMENSIONS ARE IN MM UNLESS OTHERWISE SPECIFIED.				GSS-2021-015-PTDB	REV.	R4	

ALL INFORMATION CONTAINED IN THIS DOCUMENT IS CONFIDENTIAL AND COPYRIGHT THEREOF IS RESERVED BY GREEN SECURE ENERGY SYSTEMS. THEY SHALL NOT BE USED FOR ANY PURPOSE OTHER THAN FOR WHICH THEY ARE SUPPLIED AND SHALL NOT BE COPIED OR REPRODUCED WITHOUT WRITTEN PERMISSION.



Drawing approval subject to valid vendor registration

NOTE: 1. DRAWING APPROVAL SUBJECT TO VALID TYPE TEST REPORTS, TO BE CHECKED DURING ACCEPTANCE TESTS
2. FOR EPC CONTRACTS ONLY

110V, 3 PH,N Supply From
220KV P.T. BUS-2 FOR PROTECTION

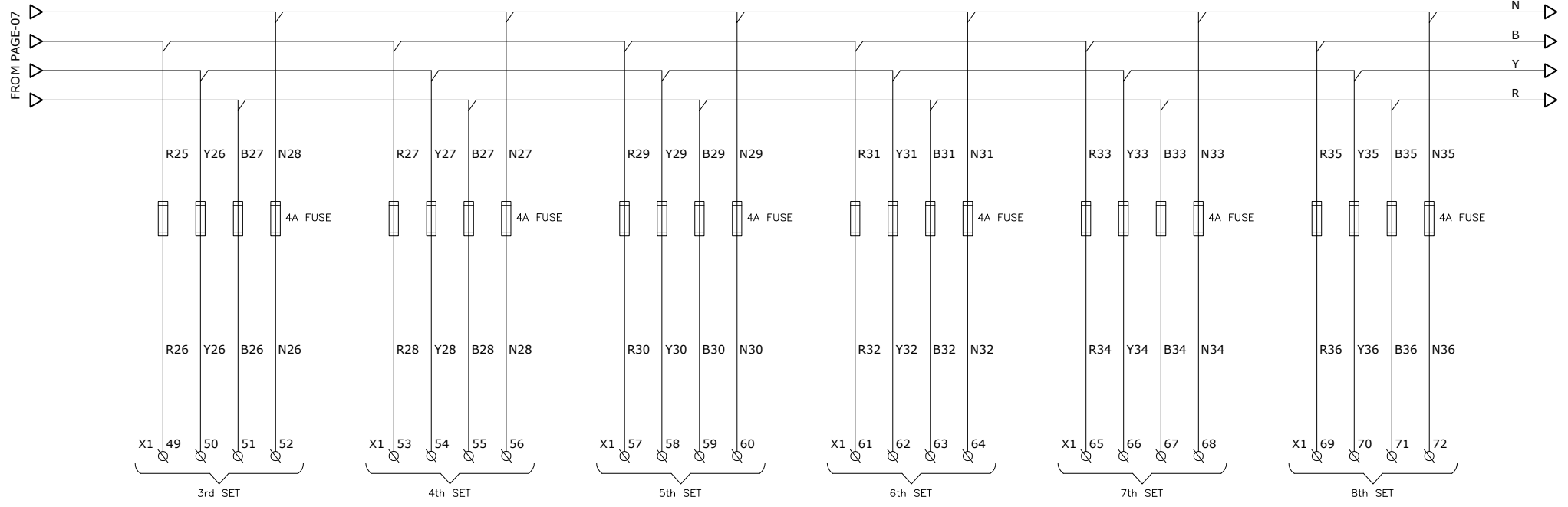
Chief Engineer/Projects
APTRANSCO/VS/Vijayawada.

R4	03.10.2022	REVISED AS PER CUSTOMER COMMENTS 27.09.2022	RC
R3	23.09.2022	REVISED AS PER CUSTOMER COMMENTS 23.09.2022	RC
R2	08.09.2022	REVISED AS PER CUSTOMER COMMENTS 22.08.2022	RC
R1	25.07.2022	REVISED AS PER CUSTOMER COMMENTS 25.07.2022	RC

ALL DIMENSIONS ARE IN MM UNLESS OTHERWISE SPECIFIED.

TITLE		PAGE TYPE		PTDB PANEL		DRN	KCR	SCALE	NA
						CHD	BB	DATE	26.04.2022
INCOMING & OUTGOING POWER CIRCUIT		APPD		JR		SHEET NO.		07 OF 15	
						DRAWING No.		REV. R4	
				GSS-2021-015-PTDB					

ALL INFORMATION CONTAINED IN THIS DOCUMENT IS CONFIDENTIAL AND COPYRIGHT THEREOF IS RESERVED BY GREEN SECURE ENERGY SYSTEMS, . THEY SHALL NOT BE USED FOR ANY PURPOSE OTHER THAN FOR WHICH THEY ARE SUPPLIED AND SHALL NOT BE COPIED OR REPRODUCED WITHOUT WRITTEN PERMISSION.



NOTE: 1. DRAWING APPROVAL SUBJECT TO VALID TYPE TEST REPORTS, TO BE CHECKED DURING ACCEPTANCE TESTS
 2. FOR EPC CONTRACTS ONLY

Drawing approval subject to valid vendor registration

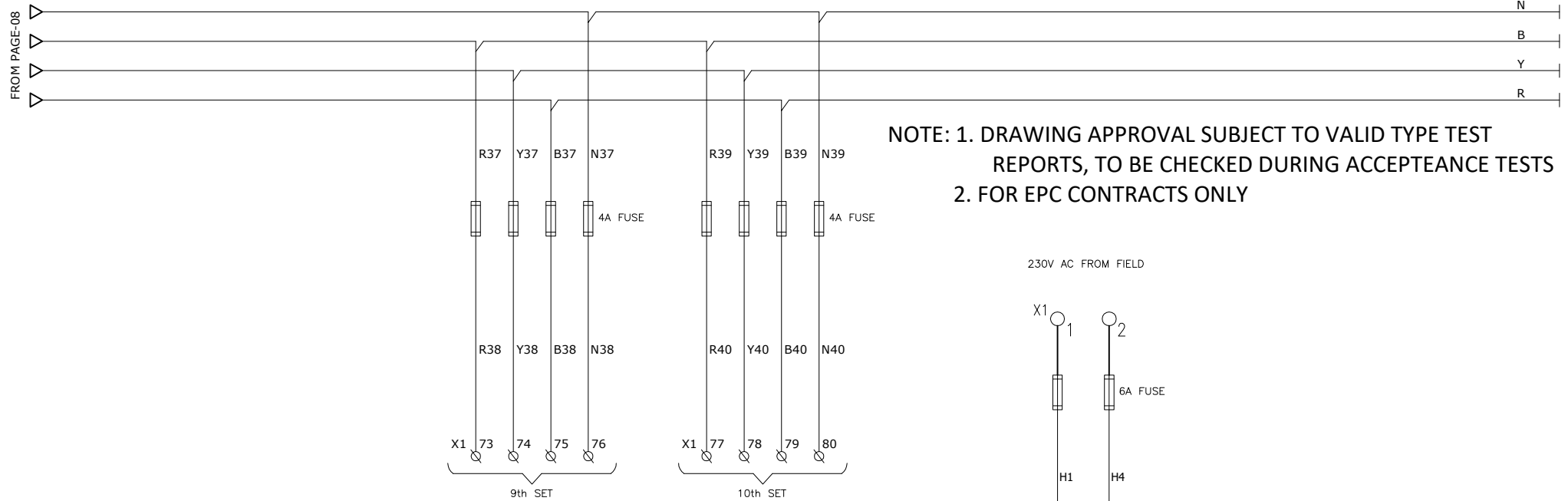
**Chief Engineer/Projects
 APTRANSCO/VS/Vijayawada.**

R4	03.10.2022	REVISED AS PER CUSTOMER COMMENTS 27.09.2022	RC
R3	23.09.2022	REVISED AS PER CUSTOMER COMMENTS 23.09.2022	RC
R2	08.09.2022	REVISED AS PER CUSTOMER COMMENTS 22.08.2022	RC
R1	25.07.2022	REVISED AS PER CUSTOMER COMMENTS 25.07.2022	RC

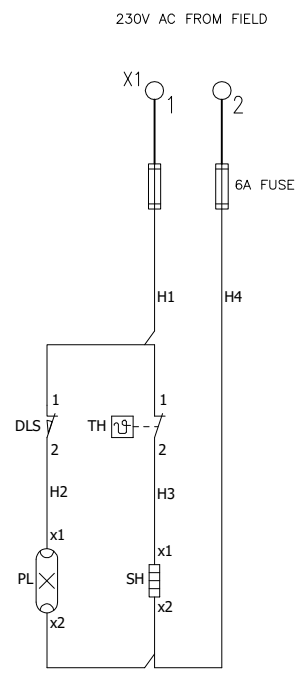
ALL DIMENSIONS ARE IN MM UNLESS OTHERWISE SPECIFIED.

TITLE PAGE TYPE		PTDB PANEL OUTGOING POWER CIRCUIT		DRN	KCR	SCALE	NA
				CHD	BB	DATE	26.04.2022
				APPD	JR	SHEET NO.	
				DRAWING No. GSS-2021-015-PTDB		08	OF 15
				REV.	R4		

ALL INFORMATION CONTAINED IN THIS DOCUMENT IS CONFIDENTIAL AND COPYRIGHT THEREOF IS RESERVED BY GREEN SECURE ENERGY SYSTEMS, . THEY SHALL NOT BE USED FOR ANY PURPOSE OTHER THAN FOR WHICH THEY ARE SUPPLIED AND SHALL NOT BE COPIED OR REPRODUCED WITHOUT WRITTEN PERMISSION.



NOTE: 1. DRAWING APPROVAL SUBJECT TO VALID TYPE TEST REPORTS, TO BE CHECKED DURING ACCEPTANCE TESTS
2. FOR EPC CONTRACTS ONLY



Drawing approval subject to valid vendor registration

Chief Engineer/Projects
APTRANSCO/VS/Vijayawada.

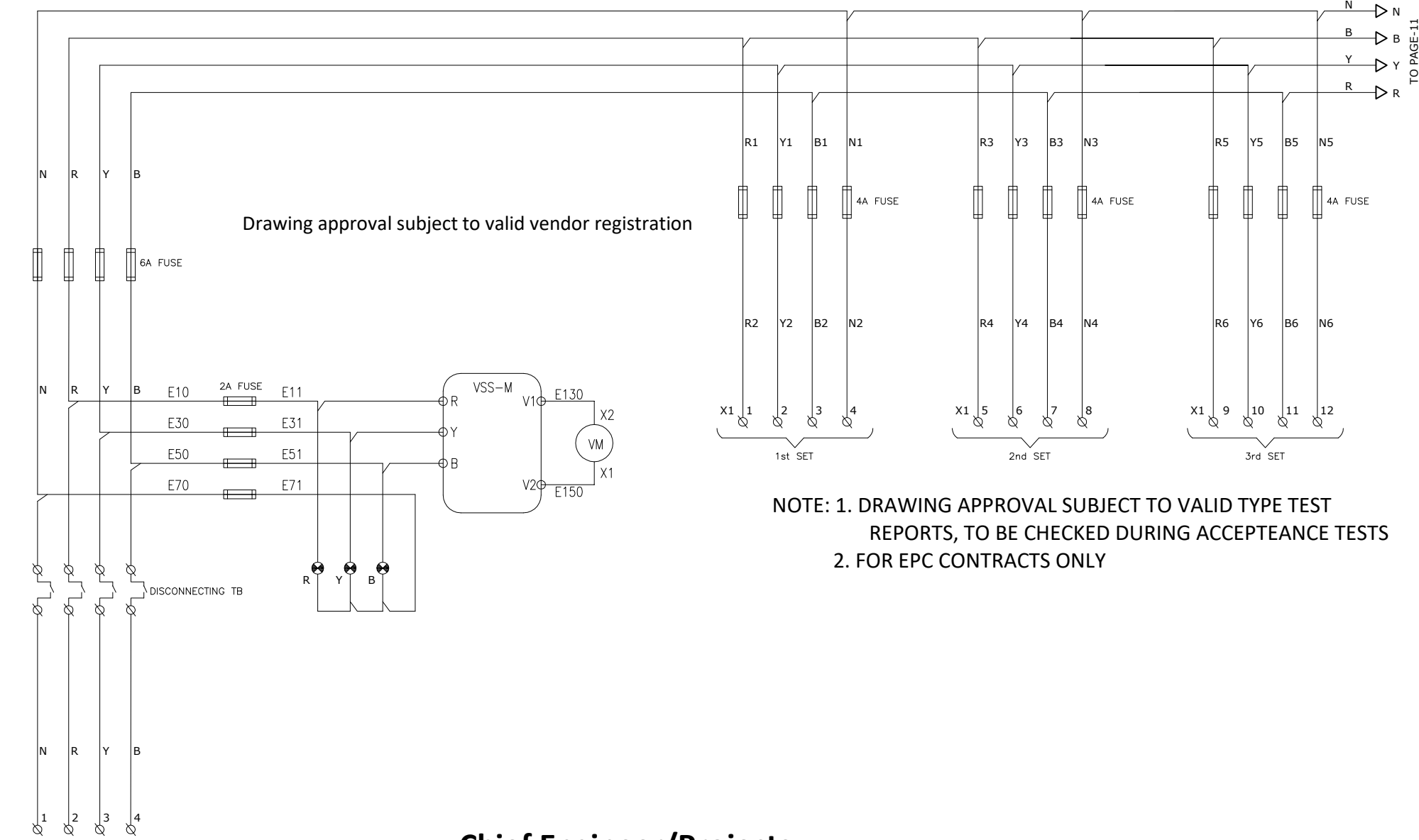
R4	03.10.2022	REVISED AS PER CUSTOMER COMMENTS 27.09.2022	RC
R3	23.09.2022	REVISED AS PER CUSTOMER COMMENTS 23.09.2022	RC
R2	08.09.2022	REVISED AS PER CUSTOMER COMMENTS 22.08.2022	RC
R1	25.07.2022	REVISED AS PER CUSTOMER COMMENTS 25.07.2022	RC

ALL DIMENSIONS ARE IN MM UNLESS OTHERWISE SPECIFIED.

GREEN SECURE ENERGY SYSTEMS, .		DRN	KCR	SCALE	NA	
		CHD	BB	DATE	26.04.2022	
TITLE	PTDB PANEL		APPD	JR	SHEET NO.	
	OUTGOING POWER CIRCUIT		DRAWING No.		09 OF 15	
			GSS-2021-015-PTDB	REV.	R4	

ALL INFORMATION CONTAINED IN THIS DOCUMENT IS CONFIDENTIAL AND COPYRIGHT THEREOF IS RESERVED BY GREEN SECURE ENERGY SYSTEMS, . THEY SHALL NOT BE USED FOR ANY PURPOSE OTHER THAN FOR WHICH THEY ARE SUPPLIED AND SHALL NOT BE COPIED OR REPRODUCED WITHOUT WRITTEN PERMISSION.

Drawing approval subject to valid vendor registration



110V, 3 PH.N Supply From
220kV P.T. BUS-1 FOR METERING

NOTE: 1. DRAWING APPROVAL SUBJECT TO VALID TYPE TEST REPORTS, TO BE CHECKED DURING ACCEPTANCE TESTS
2. FOR EPC CONTRACTS ONLY

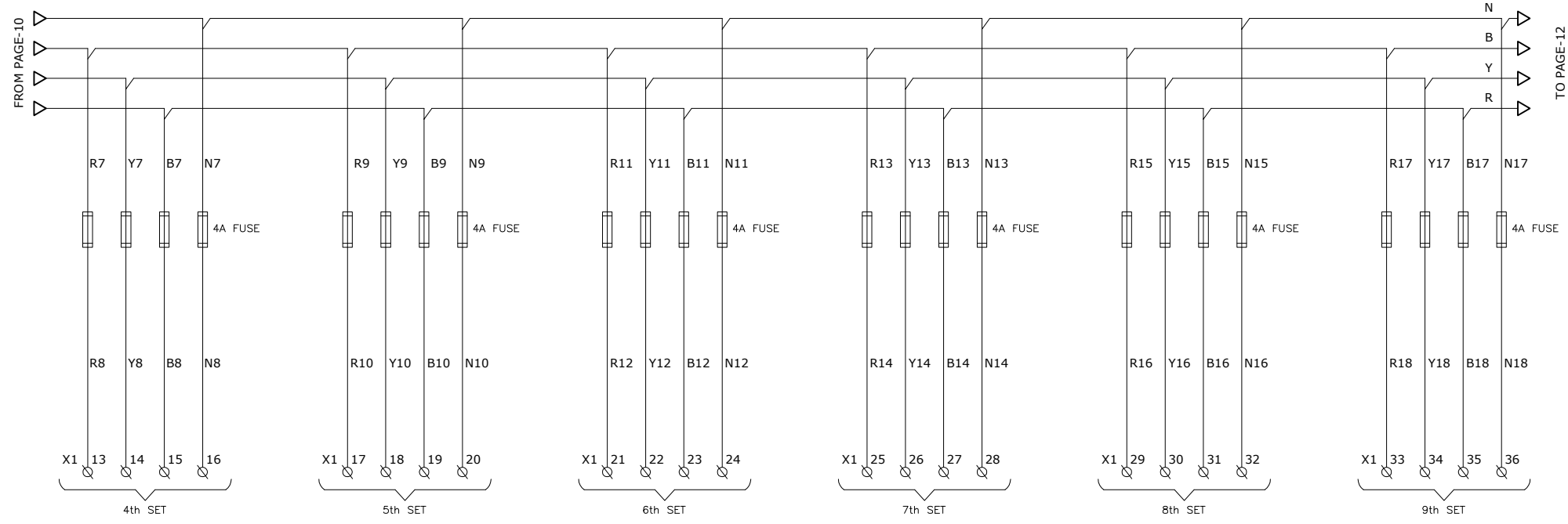
Chief Engineer/Projects
APTRANSCO/VS/Vijayawada.

R4	03.10.2022	REVISED AS PER CUSTOMER COMMENTS 27.09.2022	RC
R3	23.09.2022	REVISED AS PER CUSTOMER COMMENTS 23.09.2022	RC
R2	08.09.2022	REVISED AS PER CUSTOMER COMMENTS 22.08.2022	RC
R1	25.07.2022	REVISED AS PER CUSTOMER COMMENTS 25.07.2022	RC

		DRN	KCR	SCALE	NA		
		CHD	BB	DATE	26.04.2022		
TITLE	PTDB PANEL			APPD	JR	SHEET NO.	
	INCOMING POWER CIRCUIT			DRAWING No.		10 OF 15	
	PAGE TYPE	GSS-2021-015-PTDB			REV.	R4	

ALL DIMENSIONS ARE IN MM UNLESS OTHERWISE SPECIFIED.

ALL INFORMATION CONTAINED IN THIS DOCUMENT IS CONFIDENTIAL AND COPYRIGHT THEREOF IS RESERVED BY GREEN SECURE ENERGY SYSTEMS,. THEY SHALL NOT BE USED FOR ANY PURPOSE OTHER THAN FOR WHICH THEY ARE SUPPLIED AND SHALL NOT BE COPIED OR REPRODUCED WITHOUT WRITTEN PERMISSION.



NOTE: 1. DRAWING APPROVAL SUBJECT TO VALID TYPE TEST REPORTS, TO BE CHECKED DURING ACCEPTANCE TESTS
 2. FOR EPC CONTRACTS ONLY

Drawing approval subject to valid vendor registration

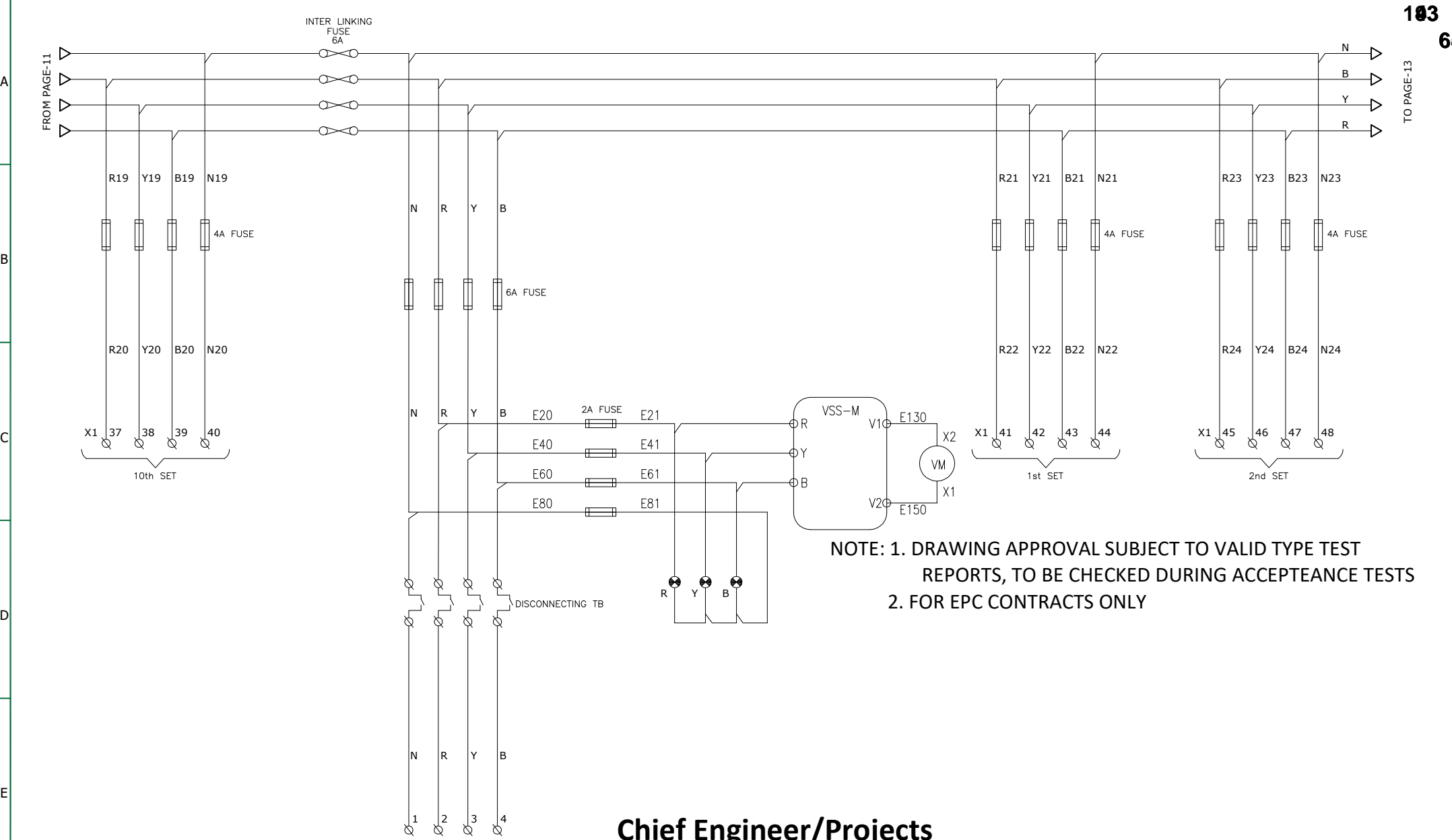
Chief Engineer/Projects
APTRANSCO/VS/Vijayawada.

R4	03.10.2022	REVISED AS PER CUSTOMER COMMENTS 27.09.2022	RC
R3	23.09.2022	REVISED AS PER CUSTOMER COMMENTS 23.09.2022	RC
R2	08.09.2022	REVISED AS PER CUSTOMER COMMENTS 22.08.2022	RC
R1	25.07.2022	REVISED AS PER CUSTOMER COMMENTS 25.07.2022	RC

ALL DIMENSIONS ARE IN MM UNLESS OTHERWISE SPECIFIED.

TITLE	PTDB PANEL		DRN	KCR	SCALE	NA
	OUTGOING POWER CIRCUIT		CHD	BB	DATE	26.04.2022
	PAGE TYPE		APPD	JR	SHEET NO. 11 OF 15	
			DRAWING No. GSS-2021-015-PTDB		REV.	R4

ALL INFORMATION CONTAINED IN THIS DOCUMENT IS CONFIDENTIAL AND COPYRIGHT THEREOF IS RESERVED BY GREEN SECURE ENERGY SYSTEMS,. THEY SHALL NOT BE USED FOR ANY PURPOSE OTHER THAN FOR WHICH THEY ARE SUPPLIED AND SHALL NOT BE COPIED OR REPRODUCED WITHOUT WRITTEN PERMISSION.



NOTE: 1. DRAWING APPROVAL SUBJECT TO VALID TYPE TEST REPORTS, TO BE CHECKED DURING ACCEPTANCE TESTS
 2. FOR EPC CONTRACTS ONLY

Chief Engineer/Projects
APTRANSCO/VS/Vijayawada.

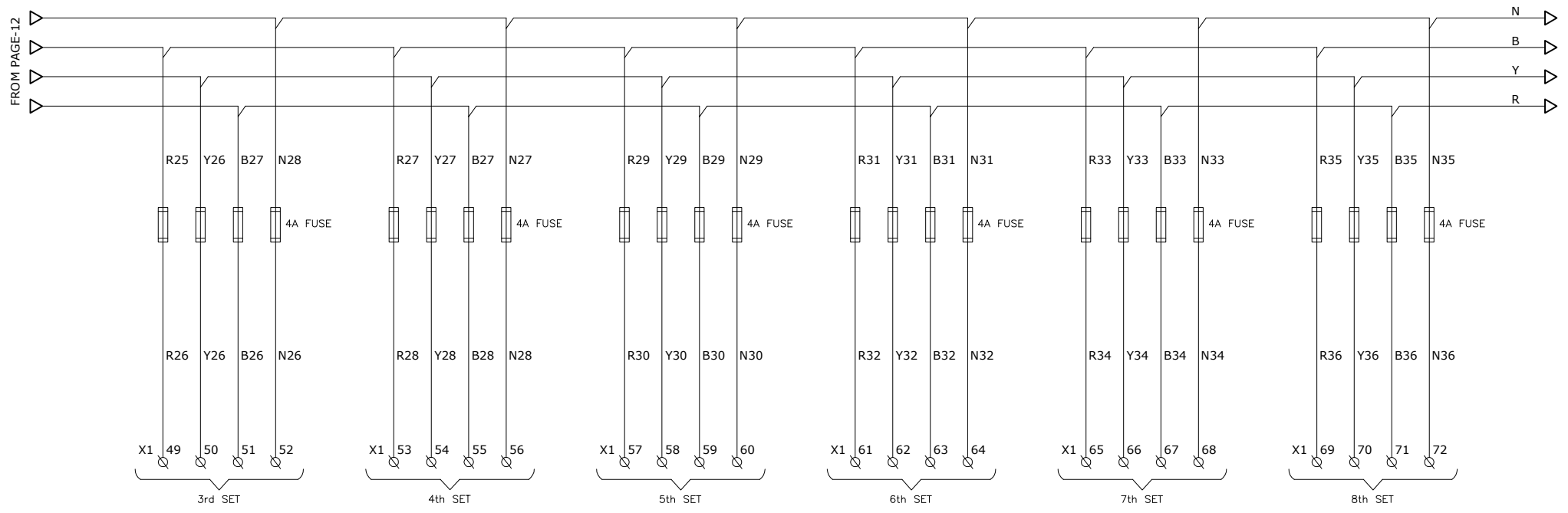
Drawing approval subject to valid vendor registration
 Supply From 220KV P.T. BUS-2 FOR METERING

R4	03.10.2022	REVISED AS PER CUSTOMER COMMENTS 27.09.2022	RC
R3	23.09.2022	REVISED AS PER CUSTOMER COMMENTS 23.09.2022	RC
R2	08.09.2022	REVISED AS PER CUSTOMER COMMENTS 22.08.2022	RC
R1	25.07.2022	REVISED AS PER CUSTOMER COMMENTS 25.07.2022	RC

ALL DIMENSIONS ARE IN MM UNLESS OTHERWISE SPECIFIED.

		DRN	KCR	SCALE	NA
		CHD	BB	DATE	26.04.2022
TITLE	PAGE TYPE	PTDB PANEL		APPD	JR
		INCOMING & OUTGOING POWER CIRCUIT		DRAWING No.	
				GSS-2021-015-PTDB	REV.
				SHEET NO. 12 OF 15	

ALL INFORMATION CONTAINED IN THIS DOCUMENT IS CONFIDENTIAL AND COPYRIGHT THEREOF IS RESERVED BY GREEN SECURE ENERGY SYSTEMS,. THEY SHALL NOT BE USED FOR ANY PURPOSE OTHER THAN FOR WHICH THEY ARE SUPPLIED AND SHALL NOT BE COPIED OR REPRODUCED WITHOUT WRITTEN PERMISSION.



NOTE: 1. DRAWING APPROVAL SUBJECT TO VALID TYPE TEST REPORTS, TO BE CHECKED DURING ACCEPTANCE TESTS
2. FOR EPC CONTRACTS ONLY

Drawing approval subject to valid vendor registration

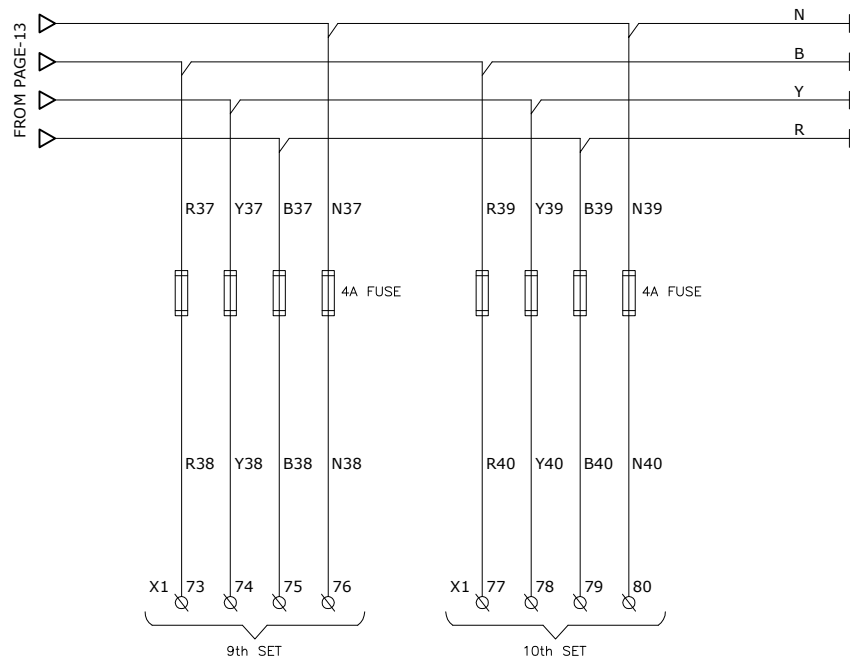
**Chief Engineer/Projects
APTRANSCO/VS/Vijayawada.**

R4	03.10.2022	REVISED AS PER CUSTOMER COMMENTS 27.09.2022	RC
R3	23.09.2022	REVISED AS PER CUSTOMER COMMENTS 23.09.2022	RC
R2	08.09.2022	REVISED AS PER CUSTOMER COMMENTS 22.08.2022	RC
R1	25.07.2022	REVISED AS PER CUSTOMER COMMENTS 25.07.2022	RC

ALL DIMENSIONS ARE IN MM UNLESS OTHERWISE SPECIFIED.

GREEN SECURE ENERGY SYSTEMS,.		DRN	KCR	SCALE	NA		
		CHD	BB	DATE	26.04.2022		
TITLE	PTDB PANEL			APPD	JR	SHEET NO.	
	OUTGOING POWER CIRCUIT			DRAWING No.		13 OF 15	
	PAGE TYPE			GSS-2021-015-PTDB		REV.	R4

ALL INFORMATION CONTAINED IN THIS DOCUMENT IS CONFIDENTIAL AND COPYRIGHT THEREOF IS RESERVED BY GREEN SECURE ENERGY SYSTEMS,. THEY SHALL NOT BE USED FOR ANY PURPOSE OTHER THAN FOR WHICH THEY ARE SUPPLIED AND SHALL NOT BE COPIED OR REPRODUCED WITHOUT WRITTEN PERMISSION.




NOTE: 1. DRAWING APPROVAL SUBJECT TO VALID TYPE TEST REPORTS, TO BE CHECKED DURING ACCEPTANCE TESTS
 2. FOR EPC CONTRACTS ONLY

Drawing approval subject to valid vendor registration

**Chief Engineer/Projects
 APTRANSCO/VS/Vijayawada.**

R4	03.10.2022	REVISED AS PER CUSTOMER COMMENTS 27.09.2022	RC
R3	23.09.2022	REVISED AS PER CUSTOMER COMMENTS 23.09.2022	RC
R2	08.09.2022	REVISED AS PER CUSTOMER COMMENTS 22.08.2022	RC
R1	25.07.2022	REVISED AS PER CUSTOMER COMMENTS 25.07.2022	RC

ALL DIMENSIONS ARE IN MM UNLESS OTHERWISE SPECIFIED.

 GREEN SECURE ENERGY SYSTEMS,.		DRN	KCR	SCALE	NA		
		CHD	BB	DATE	26.04.2022		
TITLE	PTDB PANEL			APPD	JR	SHEET NO.	
	OUTGOING POWER CIRCUIT			DRAWING No.		14 OF 15	
	PAGE TYPE				GSS-2021-015-PTDB	REV.	R4

ALL INFORMATION CONTAINED IN THIS DOCUMENT IS CONFIDENTIAL AND COPYRIGHT THEREOF IS RESERVED BY GREEN SECURE ENERGY SYSTEMS. THEY SHALL NOT BE USED FOR ANY PURPOSE OTHER THAN FOR WHICH THEY ARE SUPPLIED AND SHALL NOT BE COPIED OR REPRODUCED WITHOUT WRITTEN PERMISSION.

NOTE: 1. DRAWING APPROVAL SUBJECT TO VALID TYPE TEST REPORTS, TO BE CHECKED DURING ACCEPTANCE TESTS
2. FOR EPC CONTRACTS ONLY

BIL OF METERIALS
INCOMER :

SI. No.	Tag	Specification	Make	UOM	Quantity
1	FUSE	6A FUSE	L&T/C&S	Nos	24
2	FUSE	2A FUSE	L&T/C&S	Nos	16
3	VP	ANALOG VOLTMETER, 96Sq.mm, CLASS:1, 0-150V, AUX:110V AC	KEW	Nos	2
4	VM	ANALOG VOLTMETER, 96Sq.mm, CLASS:1, 0-150V, AUX:110V AC	KEW	Nos	2
5	VSS-P	VOLTMETER SELECTOR SWITCH 6 POSITION 10A	SALZER/KAYCEE	Nos	2
6	VSS-M	VOLTMETER SELECTOR SWITCH 6 POSITION 10A	SALZER/KAYCEE	Nos	2
7	L1-L3	AC INDICATION LAMP,63.5V AC, 22.5 ^o	ESBEE/C&S	Nos	12

OUTGOING-1-40


1	SFU	CONTROL FUSES 4A	L&T/C&S	Nos	160
---	-----	------------------	---------	-----	-----

PANEL ACESERIES

1	FUSE	6A FUSE	L&T/C&S	Nos	2
2	SH	Space heater 80W, 230V AC	GIRISH	Nos	1
3	TS	Thermostat 30-85 Deg C, 230V AC	GIRISH	Nos	1
4	PL	Panel Lamp 5W, 230V AC, LED Light with mounting Holder	PHILIPS	Nos	1
5	DLS	DOOR LIMIT SWITCH	SURAJ	Nos	1
6	PS	Socket 6A, 110V AC Utility Socket, Universal type	ANCHOR	Nos	1
7	TB	STUD TYPE NON DISCONNECTING TYPE TERMINAL BLOCKS	ELMEX	Nos	170
8	TB	DISCONNECTING TYPE TERMINAL BLOCKS	ELMEX	Nos	18

Chief Engineer/Projects
APTRANSCO/VS/Vijayawada.

Drawing approval subject to valid vendor registration

				 GREEN SECURE ENERGY SYSTEMS,.				DRN	KCR	SCALE	NA
R4	03.10.2022	REVISED AS PER CUSTOMER COMMENTS 27.09.2022	RC					CHD	BB	DATE	26.04.2022
R3	23.09.2022	REVISED AS PER CUSTOMER COMMENTS 23.09.2022	RC	TITLE: PTDB PANEL PAGE TYPE: BILL OF MATERIAL				APPD	JR	SHEET NO.	
R2	08.09.2022	REVISED AS PER CUSTOMER COMMENTS 22.08.2022	RC					DRAWING No.	15 OF 15		
R1	25.07.2022	REVISED AS PER CUSTOMER COMMENTS 25.07.2022	RC	GSS-2021-015-PTDB				REV.	R4		
								ALL DIMENSIONS ARE IN MM UNLESS OTHERWISE SPECIFIED.			