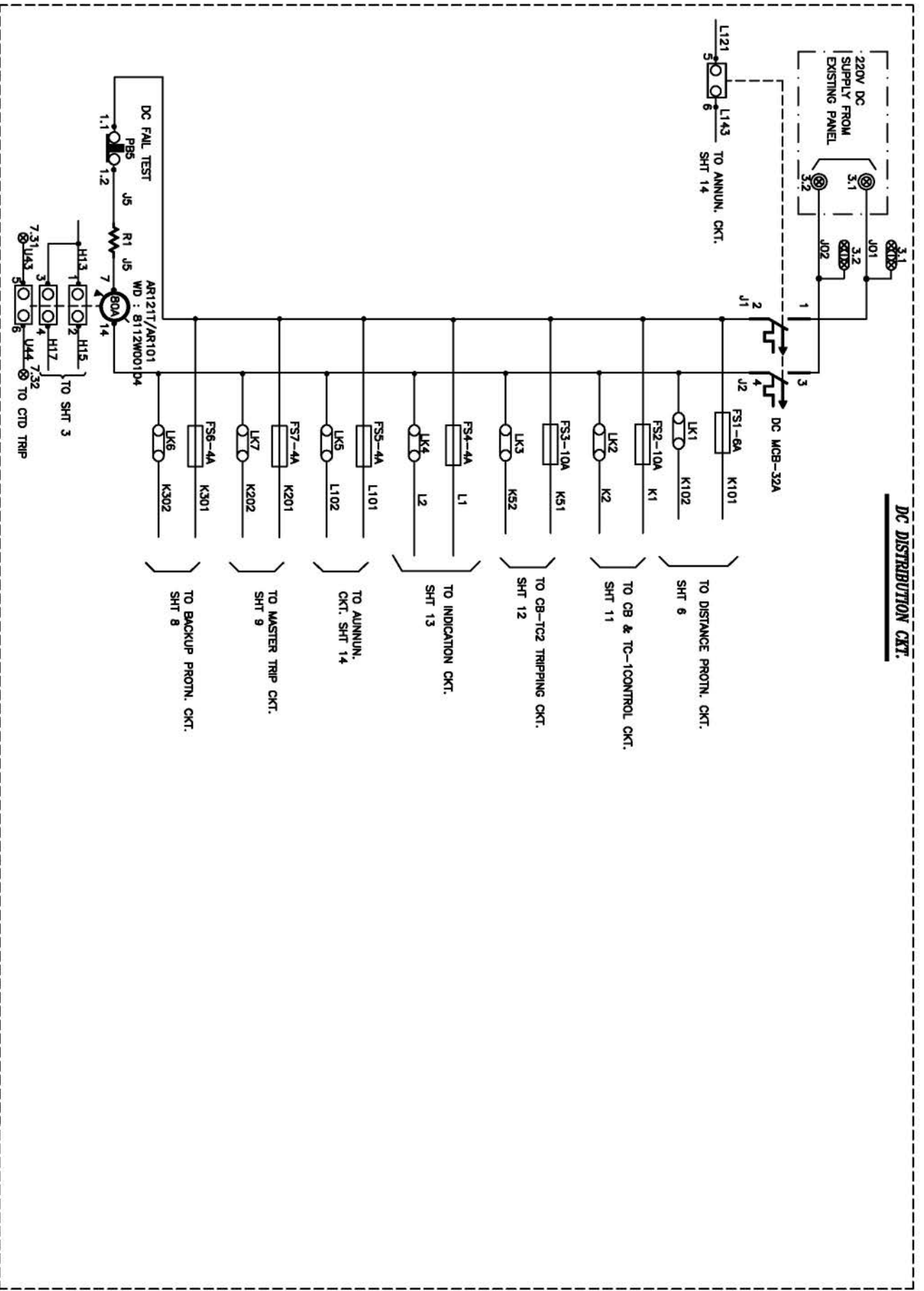
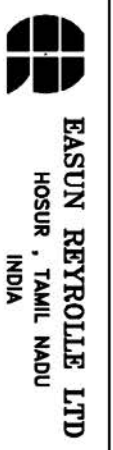


DC DISTRIBUTION CRT.

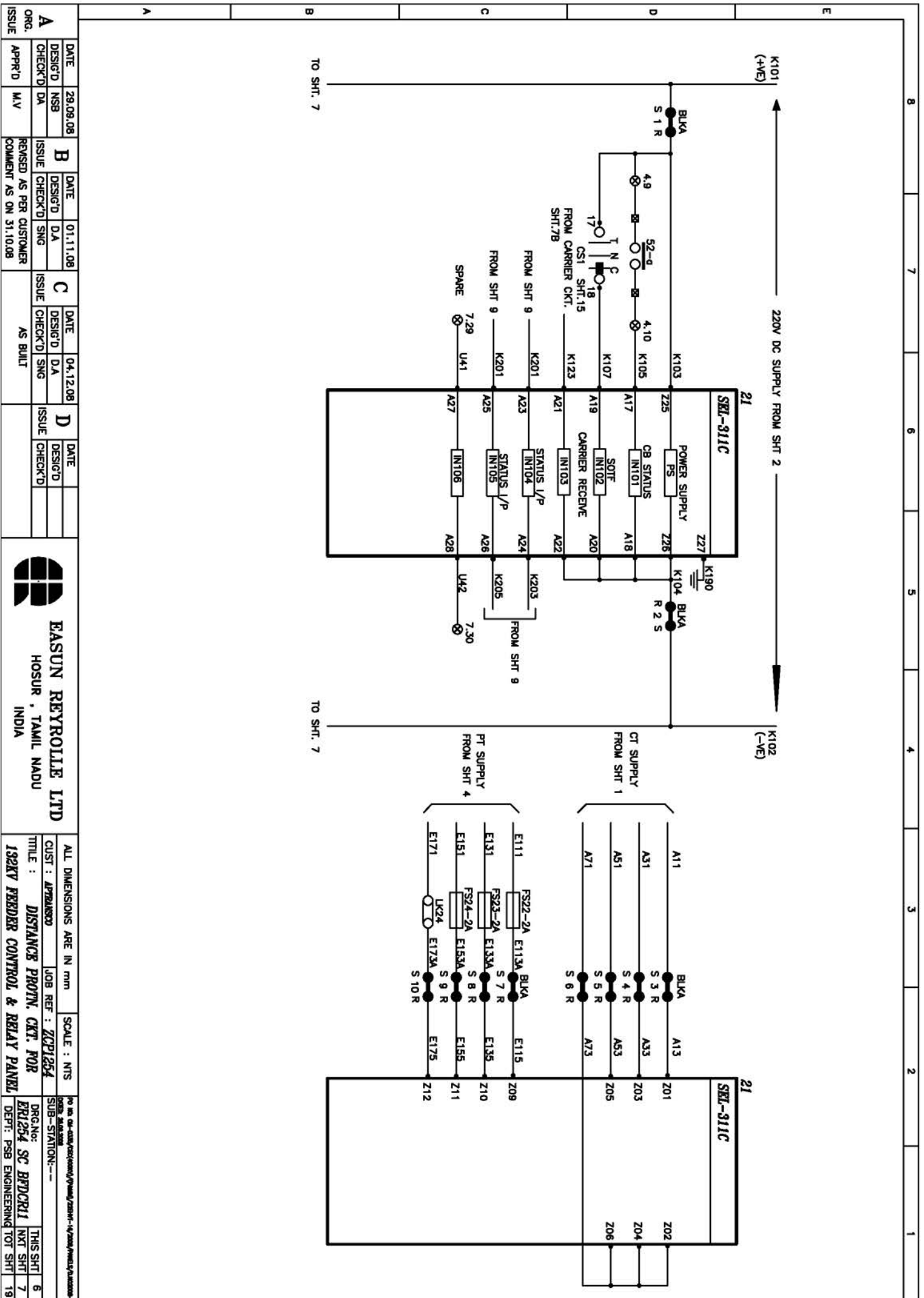


A ORG. ISSUE	DATE	29.08.08	B DATE	01.11.08	C DATE	04.12.08	D DATE	
	DESIG'D	NSB		DESIG'D		DA		DESIG'D
APPR'D	DA		CHECK'D	SNG	CHECK'D	SNG	CHECK'D	
M.V			REMOVED AS PER CUSTOMER COMMENT AS ON 31.10.08		AS BUILT			



EASUN REYROLLE LTD
HOSUR, TAMIL NADU
INDIA

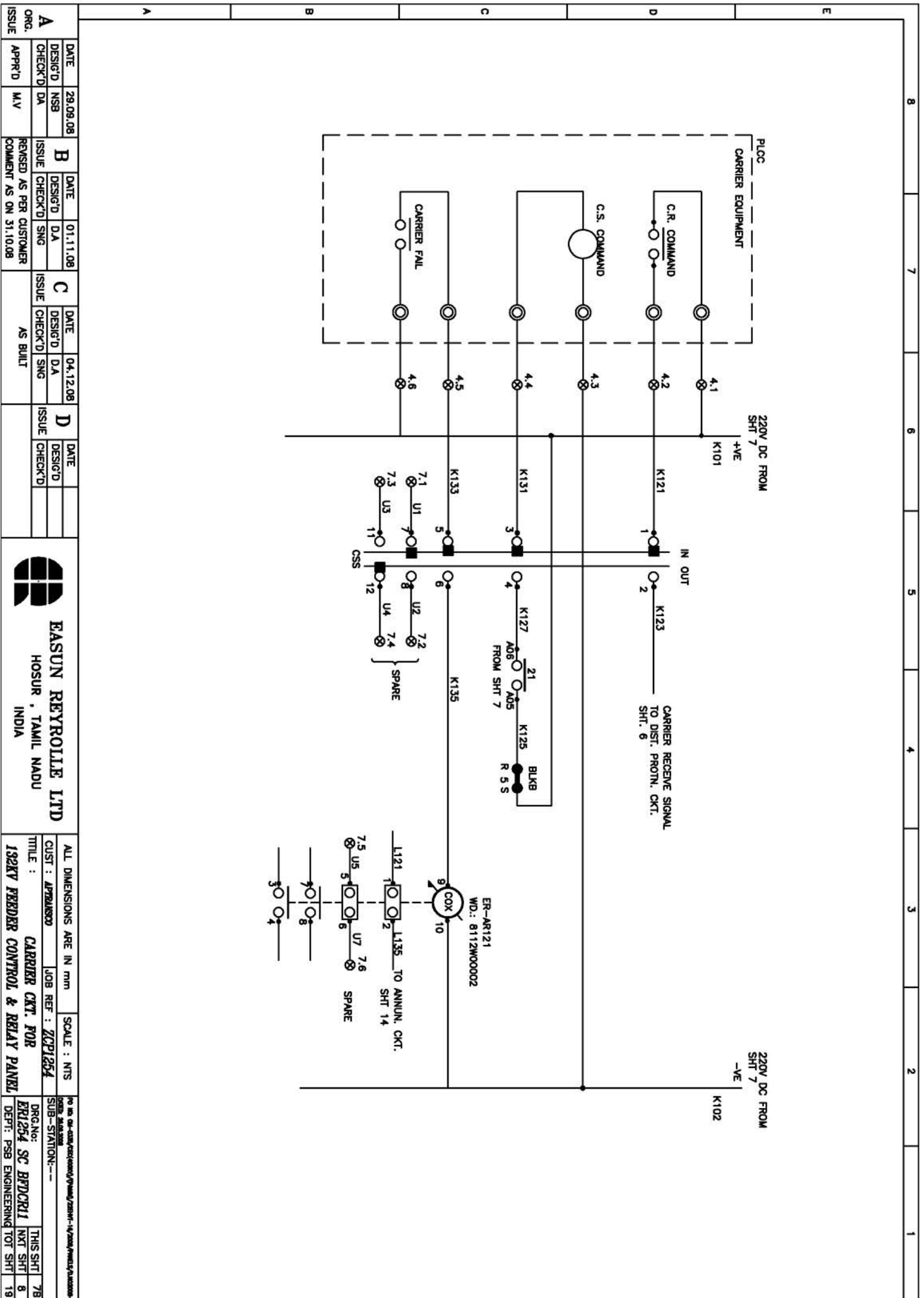
ALL DIMENSIONS ARE IN mm		SCALE : NTS
CUST : APRABASCO	JOB REF : ZCE1254	
TITLE : DC DISTRIBUTION CRT. FOR 132KV FEEDER CONTROL & RELAY PANEL.		
DRG.No: ER1254 SC BFDOR1	DEPT: PSB ENGINEERING	
THIS SHT	2	
NXT SHT	3	
TOT SHT	19	



A ORG.	DATE	29.08.08	B	DATE	01.11.08	C	DATE	04.12.08	D	DATE	
	DESIG'D	NSB		CHECK'D	DA		DESIG'D	DA		CHECK'D	DA
	CHECK'D	DA	ISSUE	CHECK'D	SNG	ISSUE	CHECK'D	SNG	ISSUE	CHECK'D	
	APPR'D	M.V	REMOVED AS PER CUSTOMER COMMENT AS ON 31.10.08			AS BUILT					


EASUN REYROLLE LTD
 HOSUR, TAMIL NADU
 INDIA

ALL DIMENSIONS ARE IN mm		SCALE : NTS
CUST : APRABAND	JOB REF : ZCE1254	
TITLE : DISTANCE PROT. CRT. FOR 132KV FEEDER CONTROL & RELAY PANEL		
DRG.No: ER1254 SC BFDOR1	THIS SHT : 6	
DEPT: PSB ENGINEERING	NXT SHT : 7	
	TOT SHT : 19	



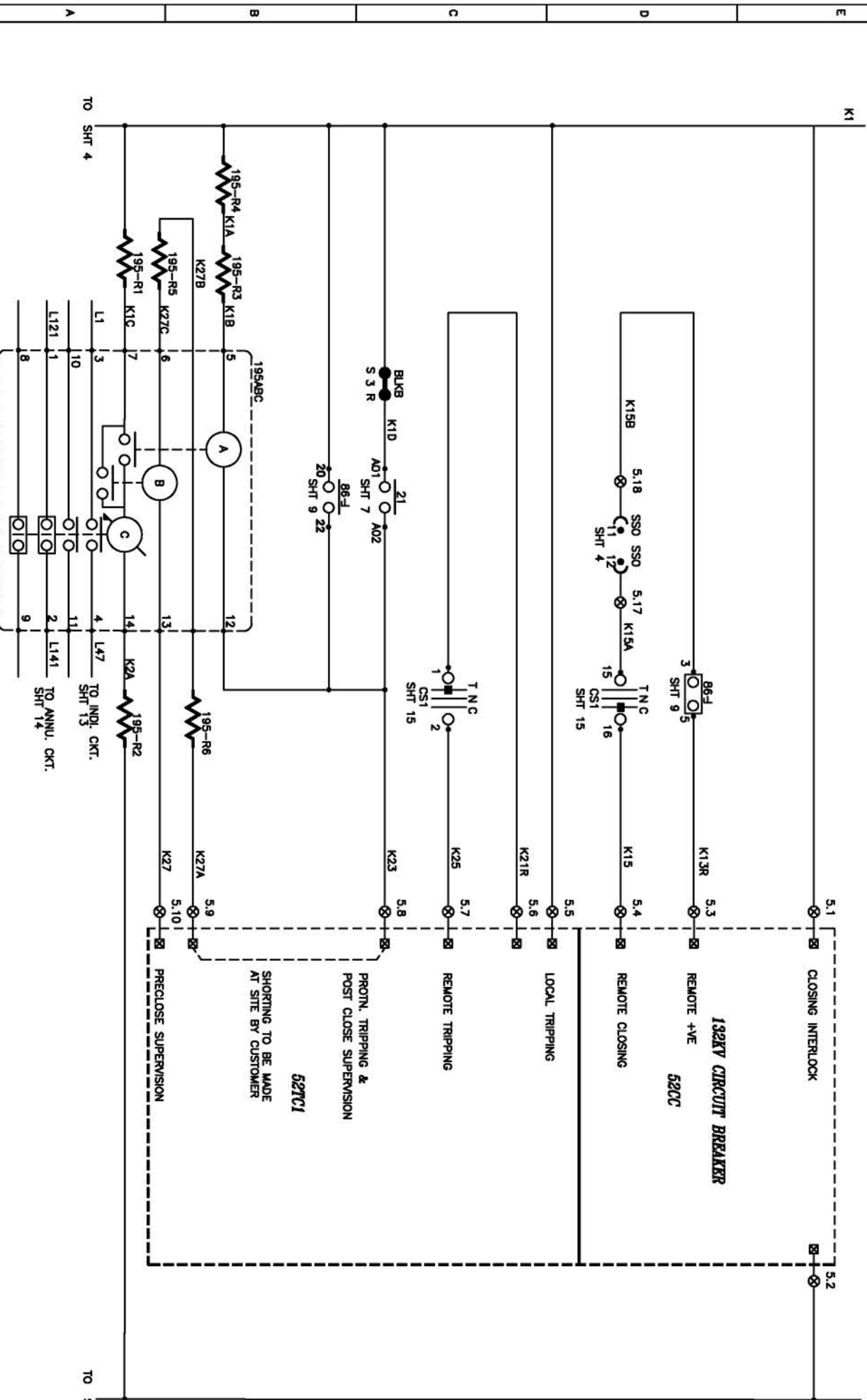
A ORG.	DATE	29.08.08	B	DATE	01.11.08	C	DATE	04.12.08	D	DATE	
	DESIG'D	NSB		DESIG'D	DA		DESIG'D	DA		DESIG'D	
	CHECK'D	DA	ISSUE	CHECK'D	SNG	ISSUE	CHECK'D	SNG	ISSUE	CHECK'D	
	APPR'D	M.V	REMOVED AS PER CUSTOMER COMMENT AS ON 31.10.08			AS BUILT					


EASUN REYROLLE LTD
 HOSUR , TAMIL NADU
 INDIA

ALL DIMENSIONS ARE IN mm	SCALE : NTS
CUST : APR24800	JOB REF : ZCE1254
TITLE : CARRIER CKT. FOR	
132KV FEEDER CONTROL & RELAY PANEL	
DRG No: ER1254 SC BFDOR1	THIS SHT 7B
DEPT: PSB ENGINEERING	NXT SHT 8
	TOT SHT 19

220V DC SUPPLY
FROM SHT 2

220V DC SUPPLY
FROM SHT 2

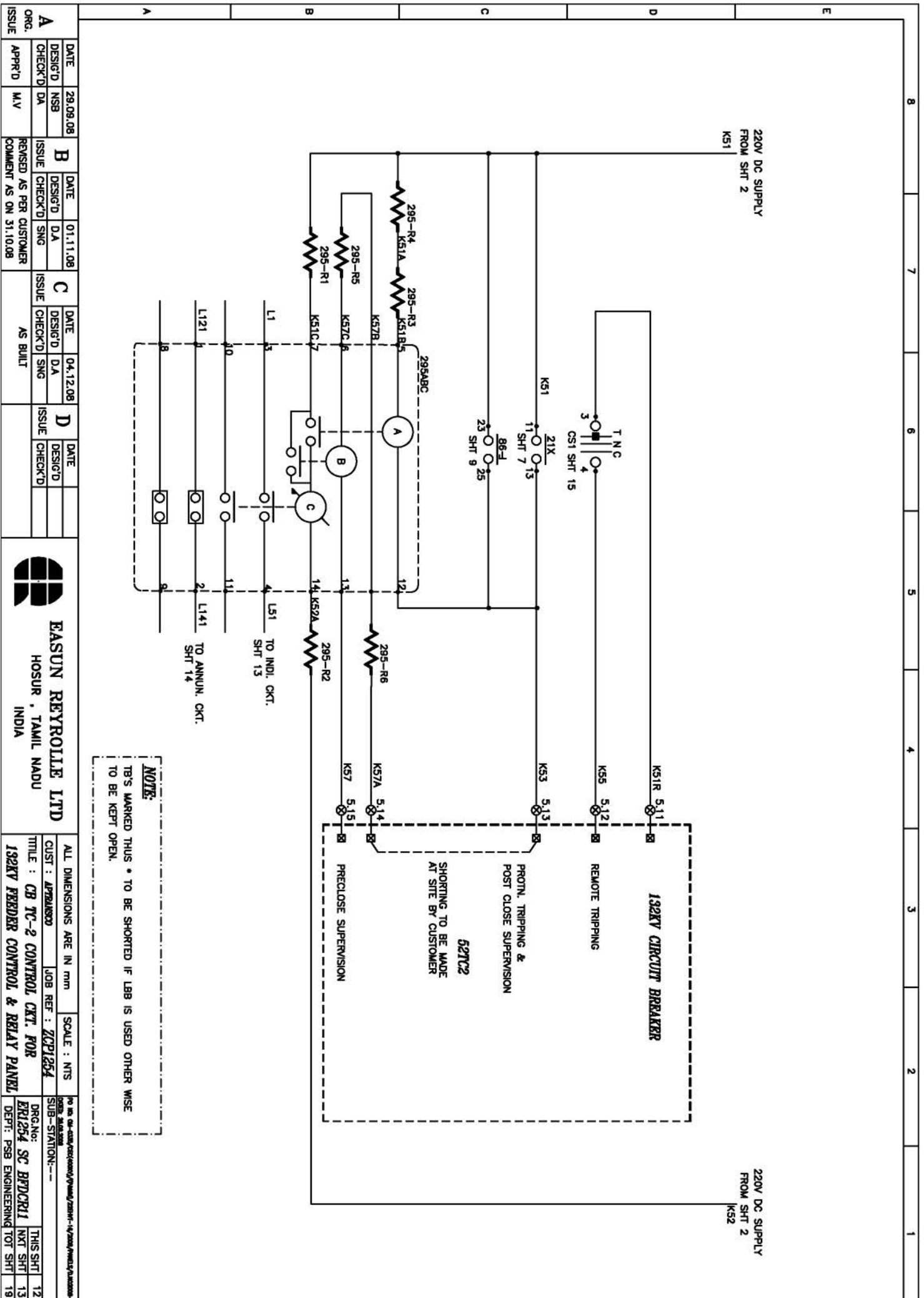


A ORG. ISSUE	DATE	29.08.08	B ISSUE	DATE	01.11.08	C ISSUE	DATE	04.12.08	D ISSUE	DATE	
	DESIG'D	NSB		CHECK'D	DA		CHECK'D	SNG		DESIG'D	DA
	APPR'D	M.V		REMOVED AS PER CUSTOMER COMMENT AS ON 31.10.08		AS BUILT					

ALL DIMENSIONS ARE IN mm		SCALE :	NTS
CUST :	APRABAND	JOB REF :	ZCE1254
TITLE : CB TC-1 CONTROL CKT. FOR			
132KV FEEDER CONTROL & RELAY PANEL			
DRG.No:	ER1254 SC BFDOR1	THIS SHT	11
DEPT :	PSB ENGINEERING	NXT SHT	12
		TOT SHT	19



EASUN REYROLLE LTD
HOSUR , TAMIL NADU
INDIA



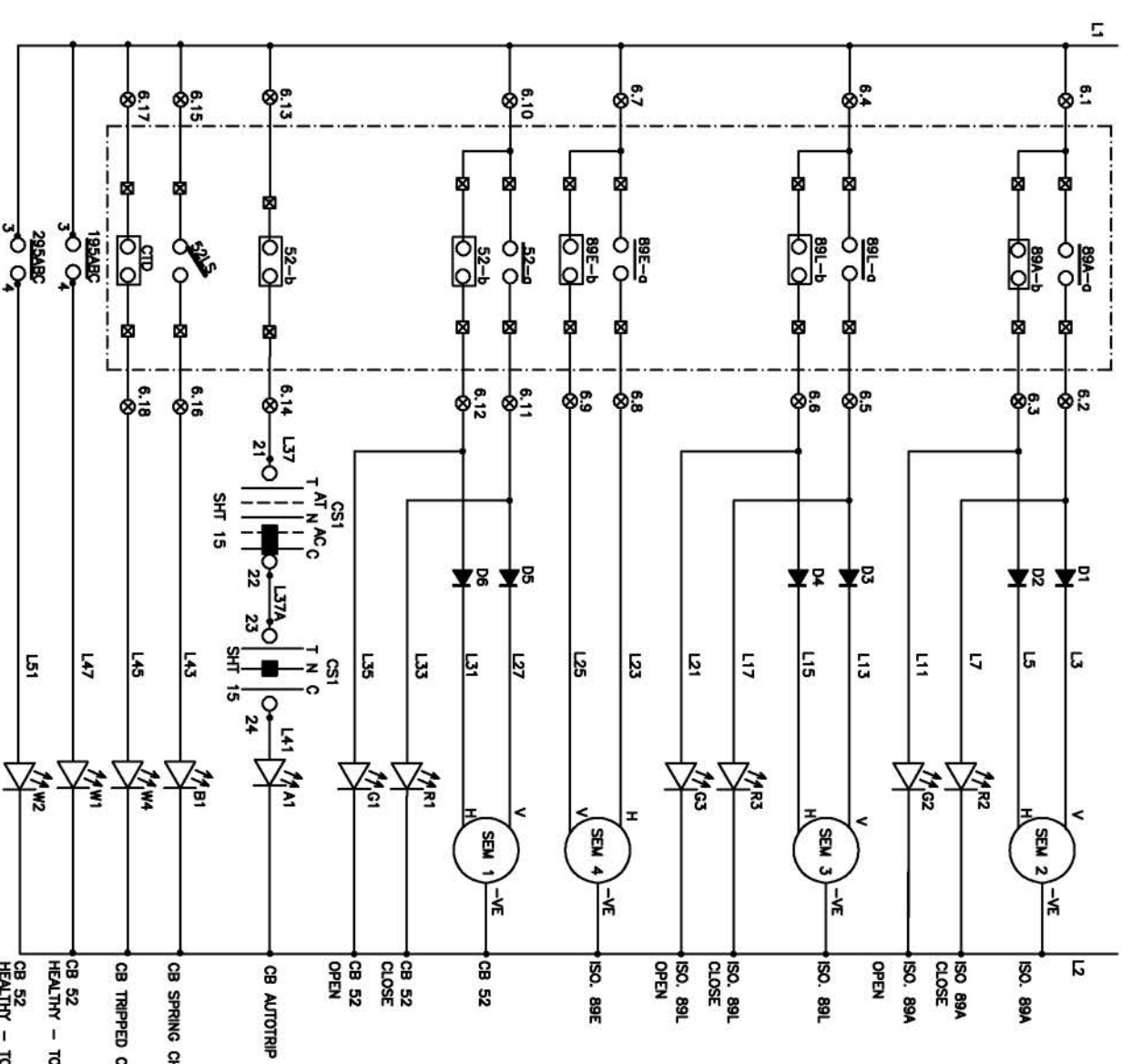
A ORG. ISSUE	DATE	29.08.08	B	DATE	01.11.08	C	DATE	04.12.08	D	DATE	
	DESIG'D	NSB		DESIG'D	DA		DESIG'D	DA		DESIG'D	
APPR'D	DA		ISSUE	CHECK'D	SNG	ISSUE	CHECK'D	SNG	ISSUE	CHECK'D	
M.V			REVISED AS PER CUSTOMER COMMENT AS ON 31.10.08			AS BUILT					


EASUN REYROLLE LTD
 HOSUR, TAMIL NADU
 INDIA

ALL DIMENSIONS ARE IN mm		SCALE :	NTS
CUST :	APRABAND	JOB REF :	ZCE1254
TITLE : CB TC-2 CONTROL CKT. FOR 132KV FEEDER CONTROL & RELAY PANEL			
DRG.No:	ER1254 SC BFDOR1	THIS SHT	12
DEPT:	PSB ENGINEERING	NXT SHT	13
		TOT SHT	19

220V DC FROM SHT 2

220V DC FROM SHT 2



A ORG. ISSUE	DATE	29.08.08	B	DATE	01.11.08	C	DATE	04.12.08	D	DATE	
	DESIG'D	NSB		DESIG'D	DA		DESIG'D	DA		DESIG'D	
	CHECK'D	DA		CHECK'D	SNG		CHECK'D	SNG		CHECK'D	
	APPR'D	M.V	REVISED AS PER CUSTOMER COMMENT AS ON 31.10.08								
<p>EASUN REYROLLE LTD HOSUR, TAMIL NADU INDIA</p>											
ALL DIMENSIONS ARE IN mm			SCALE : NTS			CUST : APRABAND			JOB REF : ZCEP254		
TITLE : INDICATION CRT. FOR 132KV FEEDER CONTROL & RELAY PANEL						DRG.No: ER1254 SC BFDORR1					
DEPT: PSB ENGINEERING TOT SHT						NEXT SHT: 14					
						THIS SHT: 13					

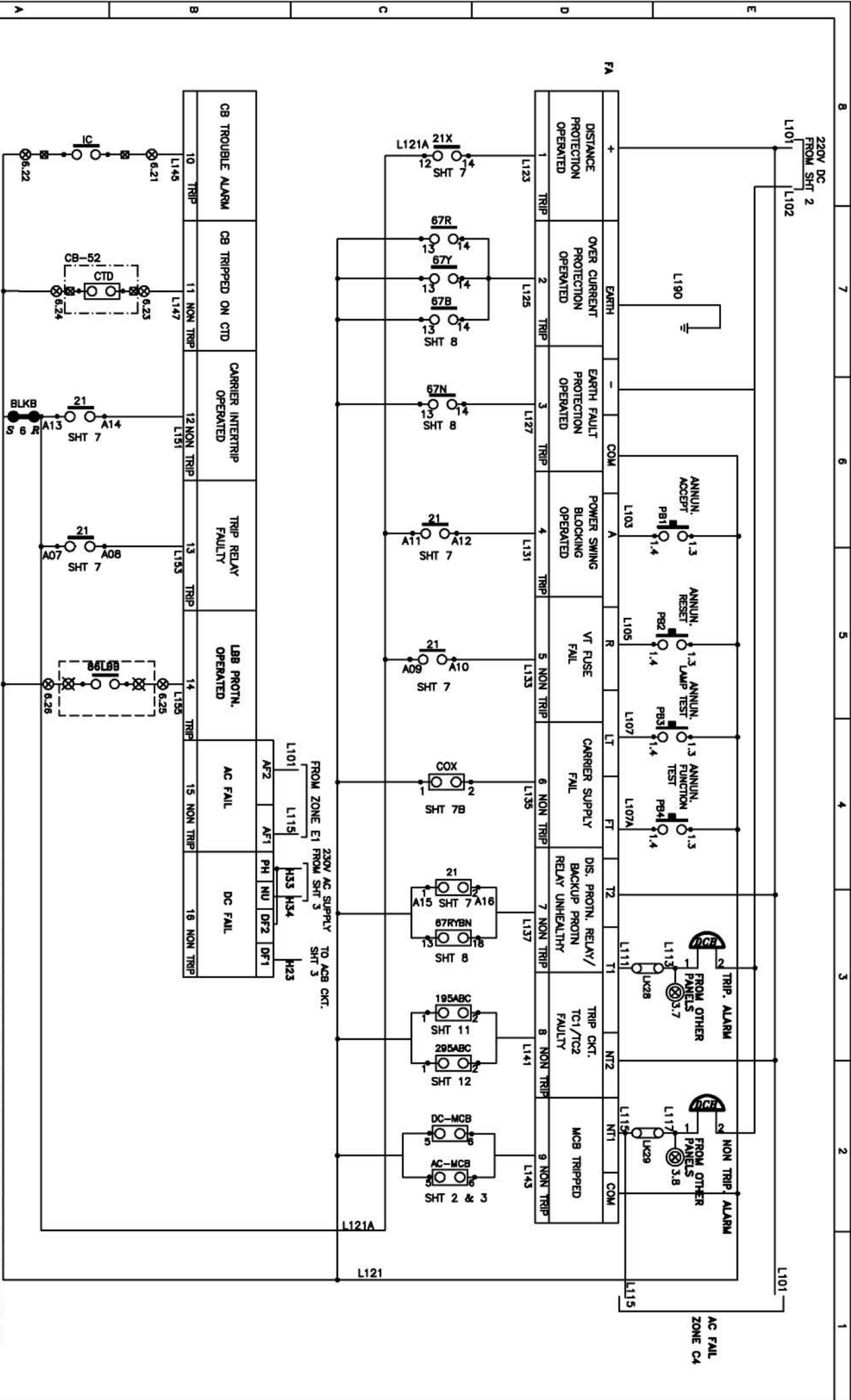
A	DATE	29.08.08	B	DATE	01.11.08	C	DATE	04.12.08	D	DATE	
	DESIG'D	NSB		DESIG'D	DA		DESIG'D	DA		DESIG'D	
ORG.	CHECK'D	DA	ISSUE	CHECK'D	SNG	ISSUE	CHECK'D	SNG	ISSUE	CHECK'D	
APPR'D	M.V		REMOVED AS PER CUSTOMER COMMENT AS ON 31.10.08			AS BUILT					



EASTON REYROLLE LTD
 HOSUR, TAMIL NADU
 INDIA

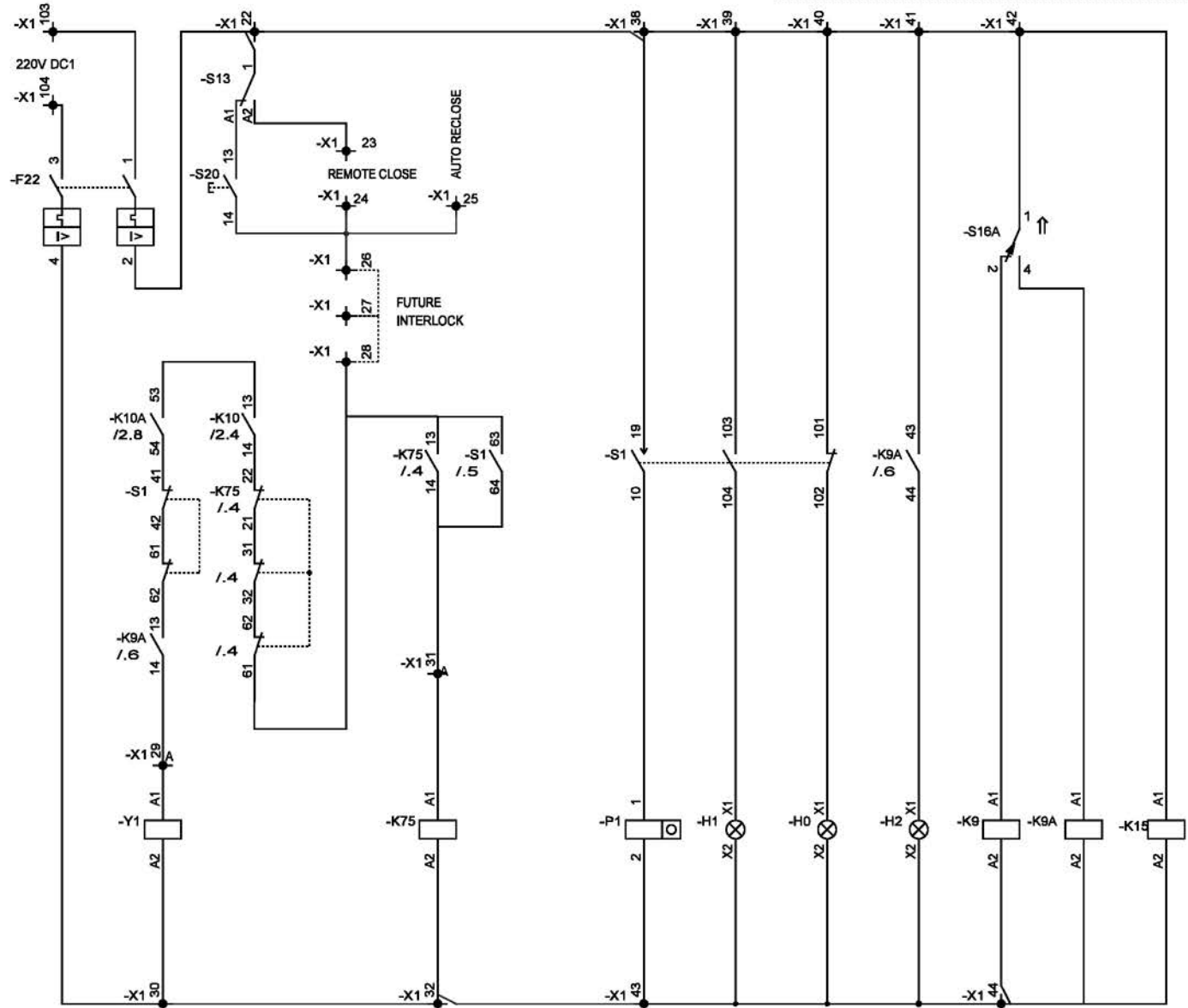
ALL DIMENSIONS ARE IN mm	SCALE : NTS
CUST : APRABAND	JOB REF : ZCE1254
TITLE : ANNUNCIATION CRT.	DRG No: ER1254 SC BFD/CRI
132KV FEEDER CONTROL & RELAY PANEL	DEPT: PSB ENGINEERING TOT SHT 19

IMPORTANT NOTE:
 AC FAIL SUPERVISION IS IN-BUILT OF ANNUNCIATOR. HENCE SEPARATE RELAY IS NOT USED.



8	220V DC FROM SHT 2
7	L101, L102
6	L190
5	L103, L105, L107, L107A
4	L103, L105, L107, L107A
3	L113, L111, L1111
2	L117, L119, L129
1	L115

PAGES 2,3&4 OF 4 WITH LAMINATED SHALL BE KEPT INSIDE THE MAR.BOX



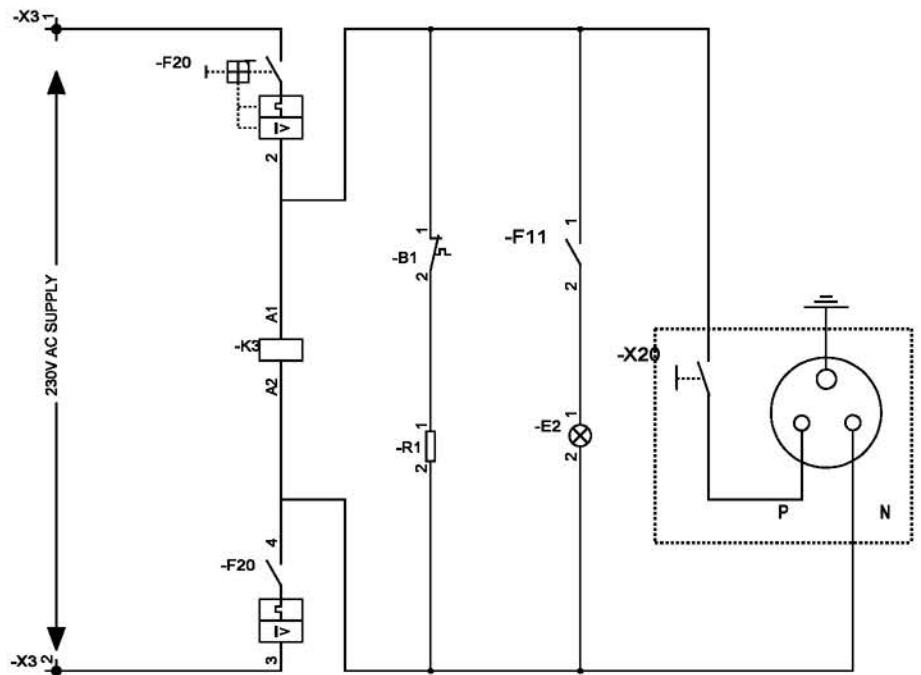
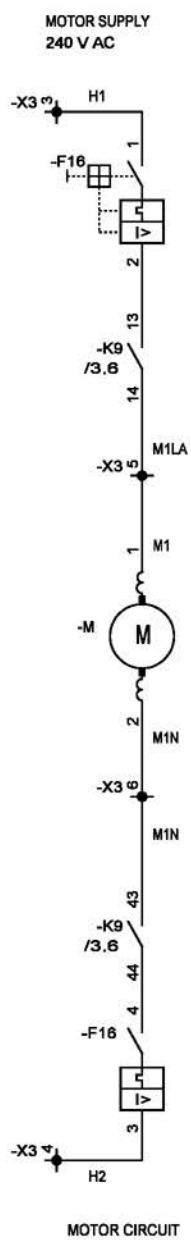
CLOSING CIRCUIT ANTI PUMPING OPERATIONAL COUNTER CB ON CB OFF SPRING CHARGED STATUS MOTOR CONTROL DC SUPPLY 1 SUPERVISION

		Date	08.02.2018	CLIENT : APTRANSCO		SIEMENS LTD. Aurangabad	Descp:145KV,40KA,3150A Type:3AP1FG Dwg. Name: Schematic Drawing	SO NO :		Qty :- Nos.		=ZZA	
		Prep.	RB									++	
		Ckd.	SB	STD DRAWING									
Issue	Remarks	Date	Name	ORIGINAL/REPLACEMENT FOR/REPLACED BY:				Drg No: (4)G71AHS-IA401-W0001		Sh. 3			
1										4 Sh.			

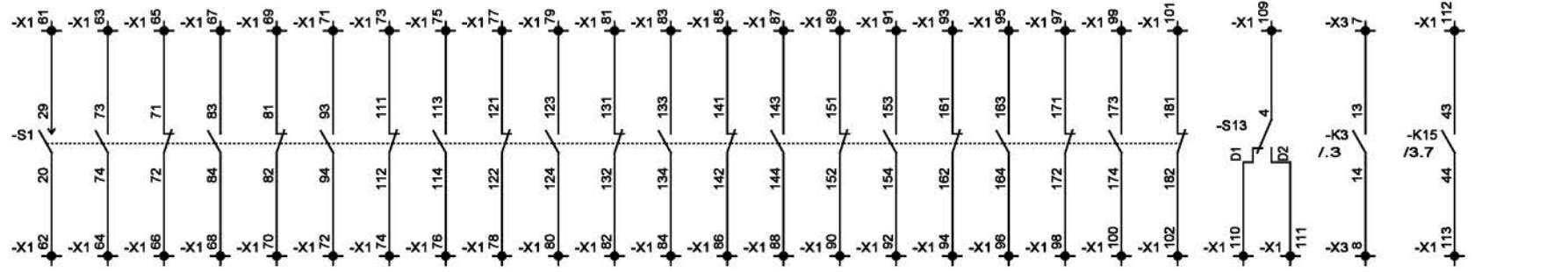
THE REPRODUCTION, TRANSMISSION OR USE OF THIS DOCUMENT OR ITS CONTENTS IS NOT PERMITTED WITHOUT EXPRESS WRITTEN AUTHORITY. PATENT OR DESIGN RIGHTS ARE RESERVED.

PAGES 2,3&4 OF 4 WITH LAMINATED SHALL BE KEPT INSIDE THE MAR.BOX.

A
B
C
D
E
F

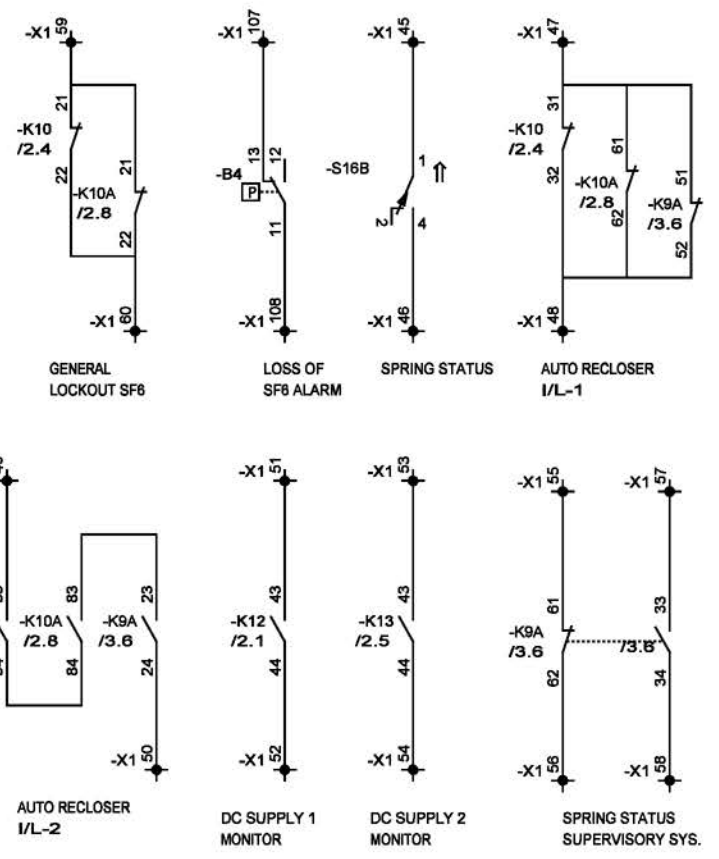


UTILITY CIRCUIT



10 NO & 10 NC SPARE CONTACTS OF CIRCUIT BREAKER AUX. SWITCH

CB STATUS LOCAL/REMOTE
AC SUPPLY MONITORING
INDICATION & SPRING CHARGE SUPPLY MONITOR



Date: 08.02.2018		CLIENT : APTRANSCO		SIEMENS LTD.		Descp:145KV,40KA,3150A		SO NO :		Qty :- Nos.		=ZZA	
Prep: RB				Aurangabad		Type:3AP1FG						++	
Ckd: SB		STD DRAWING		ORIGINAL/REPLACEMENT FOR/REPLACED BY:		Dwg. Name: Schematic Drawing		Drg No: (4)G71AHS-IA401-W0001		Sh. 4		4 Sh.	

Issue	Remarks	Date	Name	1	2	3	4	5	6	7	8
-------	---------	------	------	---	---	---	---	---	---	---	---